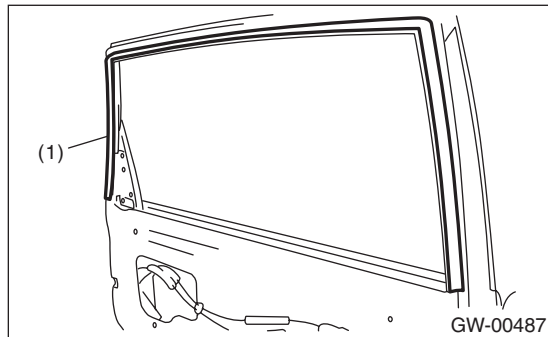


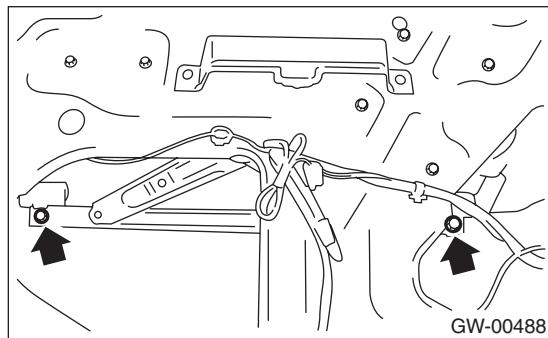
11. Rear Door Glass

A: REMOVAL

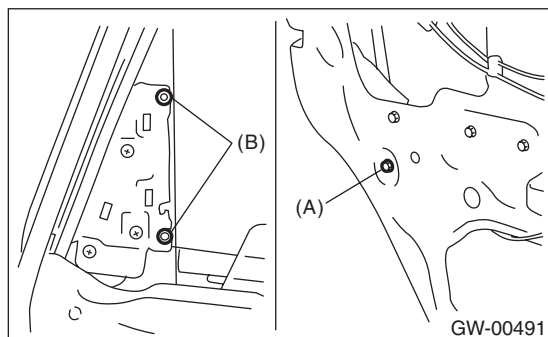
- 1) Remove the rear door trim. <Ref. to EI-37, REMOVAL, Door Trim.>
- 2) Remove the sealing cover. <Ref. to EB-21, NOTE, Rear Sealing Cover.>
- 3) Apply the protective tape (1) to the areas as shown in the figure.



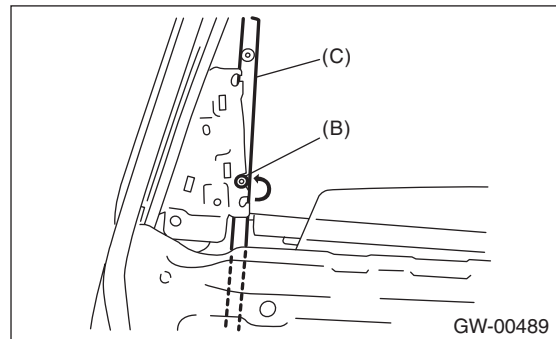
- 4) Connect the ground cable to battery and power window switch connector.
- 5) Operate the power window switch to move the glass to the position shown in the figure, and then remove the two bolts through service holes.



- 6) Remove the sash retaining bolt (A), and loosen the retaining nuts (B).



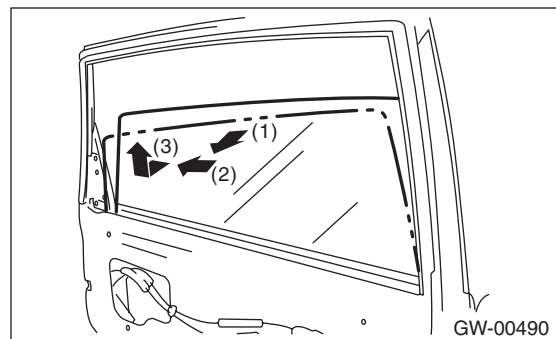
- 7) Move the sash (C) upward, and move the nut (B) to the position on rear door as shown in the figure.



- 8) Detach the rear part of door glass from sash (1), and move it backward (2). Tilt the door glass inward, and move it upward to remove (3).

CAUTION:

- Since the gear may be disengaged, do not turn regulator in the closing direction after removing glass.
- Avoid impact and damage to the glass.



- 9) Remove the glass run rubber.
- 10) Remove the door sash.

B: INSTALLATION

CAUTION:

- Make sure that the glass run rubber is placed securely in door frame and sash. Install in the reverse order of removal.

Tightening torque:

Refer to "COMPONENT" of "General Description". <Ref. to GW-4, REAR DOOR GLASS, COMPONENT, General Description.>