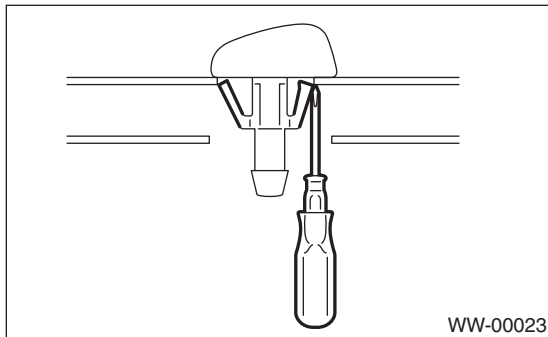


## 12.Rear Washer

### A: REMOVAL

- 1) Remove the rear gate upper trim. <Ref. to EI-52, REMOVAL, Rear Gate Trim.>
- 2) Remove the washer hose from washer nozzle.
- 3) Push the claw of the nozzle from the backside of rear gate panel with a flat tip screwdriver or equivalent, and remove the washer nozzle.



### B: INSTALLATION

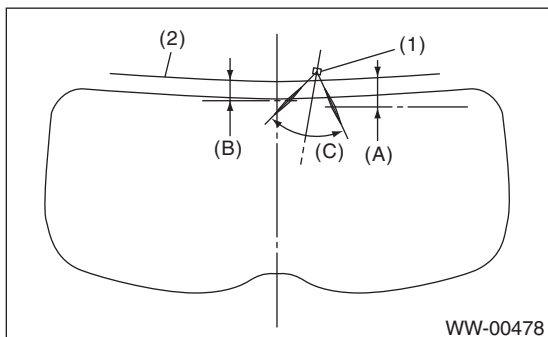
Install in the reverse order of removal.

### C: INSPECTION

- Make sure the nozzle and hose are not clogged.
- Make sure the hose is not bent.
- While the vehicle is at a standstill, make sure that the washer injection position is as shown in the figure.

#### NOTE:

Washer injection position can not be adjusted.



- (1) Nozzle
- (2) Upper edge of the rear gate glass
- (A) From rear gate glass upper end to center of washer fluid spraying: 71 mm (2.8 in)
- (B) From rear gate glass upper end to center of washer fluid spraying: 56 mm (2.2 in)
- (C) 72°

# Rear Washer

WIPER AND WASHER SYSTEMS

---

# ENTERTAINMENT

# ET

---

	<b>Page</b>
1. General Description .....	2
2. Audio System .....	3
3. Navigation System .....	4
4. Rearview Camera System .....	6
5. Multi-function Display (MFD) System .....	7
6. Rear Entertainment System .....	8
7. Control Panel .....	9
8. Audio .....	13
9. Front Speaker .....	14
10. Center Speaker .....	15
11. Tweeter .....	16
12. Rear Speaker .....	17
13. Woofer .....	18
14. Power Amplifier .....	19
15. Antenna .....	20
16. Antenna Amplifier .....	24
17. Noise Suppressor .....	25
18. Navigation Display .....	26
19. Navigation Body .....	27
20. Navigation Switch .....	28
21. GPS Antenna .....	29
22. Rearview Mirror (RCD Model) .....	30
23. Rearview Camera .....	31
24. Rearview Camera Control Unit .....	32
25. Multi-function Display (MFD) .....	33
26. Multi-function Switch .....	34
27. Rear Entertainment .....	35
28. AUX Input Terminal .....	36
29. Front Accessory Power Supply Socket .....	37
30. Rear Accessory Power Supply Socket .....	38
31. Steering Satellite Switch .....	39