

Sunroof Motor

SUNROOF/T-TOP/CONVERTIBLE TOP (SUNROOF)

5. Sunroof Motor

A: REMOVAL

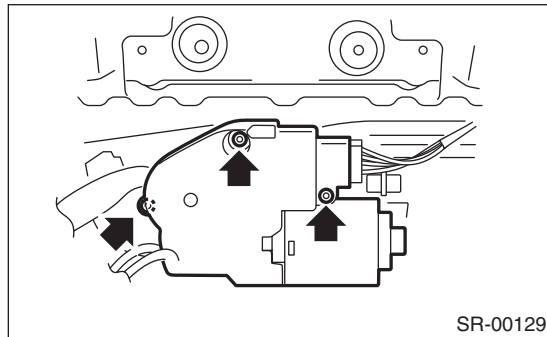
CAUTION:

- When removing the clip, use great care not to damage the roof trim.
- Never rotate the motor assembly after removing it.

- 1) Completely close the glass lid.
- 2) Disconnect the ground cable from battery.
- 3) Remove the roof trim. <Ref. to EI-51, REMOVAL, Roof Trim.>
- 4) Disconnect the harness connector, and then remove the motor assembly mounting screw.

CAUTION:

When removing the motor assembly, secure the cable wires to prevent moves.

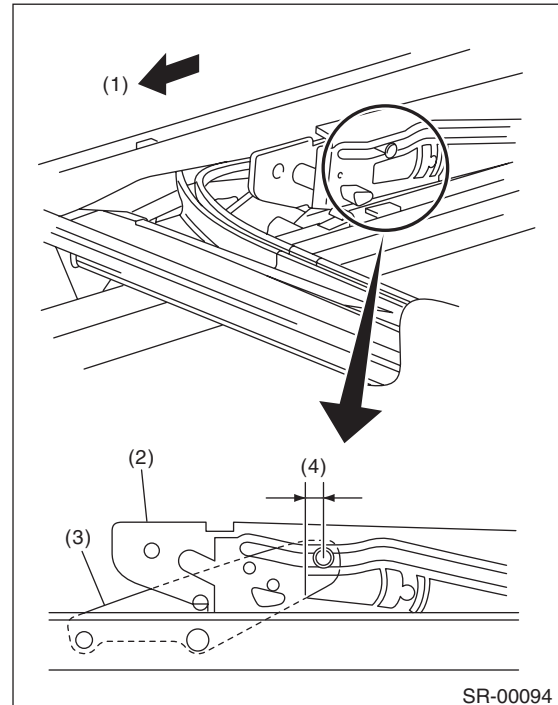


B: INSTALLATION

CAUTION:

When installing the motor assembly, be careful not to move the sunroof cable.

- 1) Align the coulisse assembly and link assembly in the same position.



- (1) Front
- (2) Coulisse ASSY
- (3) Link ASSY
- (4) 4.7 mm (0.185 in)

- 2) Install the motor assembly.
- 3) Connect the harness connector of motor assembly, and then connect the battery ground cable to battery.
- 4) Perform the initialize operation of motor.
 - (1) Tilt up the glass lid.
 - (2) Release the switch once, and press the tilt up switch again for 15 seconds.
 - (3) When the glass lid is raised a little and on tilt up position, release the switch for the moment.
 - (4) Keep pressing the tilt up switch within 5 seconds from releasing the switch, glass lid automatically performs the tilts down → slides open → slides close operation, then the initialize operation is completed.

Sunroof Motor

SUNROOF/T-TOP/CONVERTIBLE TOP (SUNROOF)

5) Check the operation of sunroof with following table.

Operation	Switch position
(1) Glass lid closes completely.	Close
(2) Glass lid tilt up to the top position.	Tilt up
(3) Glass lid lowers completely.	Tilt down
(4) Glass lid opens completely.	Open
(5) Glass lid closes 150 mm (5.91 in) away from the completely closed position.	Close
(6) Glass lid closes completely.	Close

6) Install the trim in the reverse order of removal.