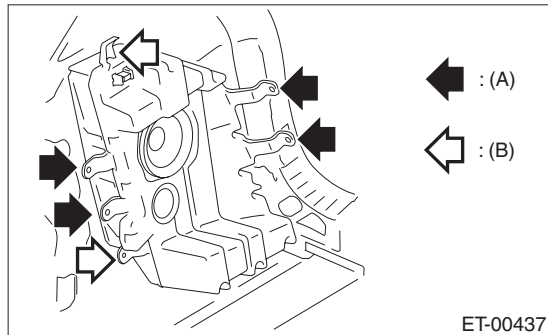


## 13. Woofers

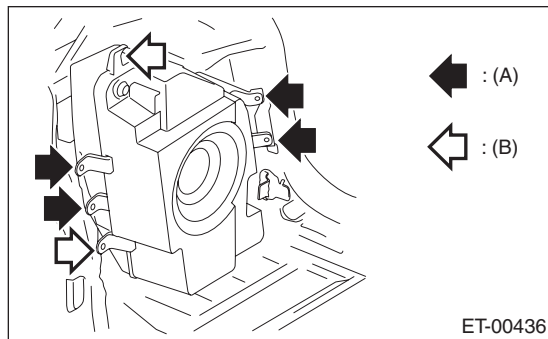
### A: REMOVAL

- 1) Disconnect the ground cable from battery.
- 2) Remove the quarter trim. <Ref. to EI-46, REMOVAL, Rear Quarter Trim.>
- 3) Remove the mounting screws (A) and nuts (B) for the woofer.

For high grade speakers



For harman/kardon speakers



- 4) Disconnect the harness connector and detach the woofers.

### B: INSTALLATION

Install in the reverse order of removal.