

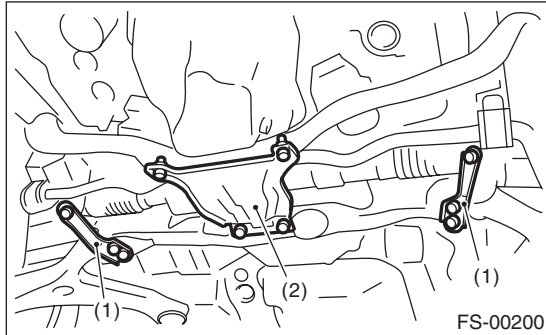
# Pipe Assembly

POWER ASSISTED SYSTEM (POWER STEERING)

## 6. Pipe Assembly

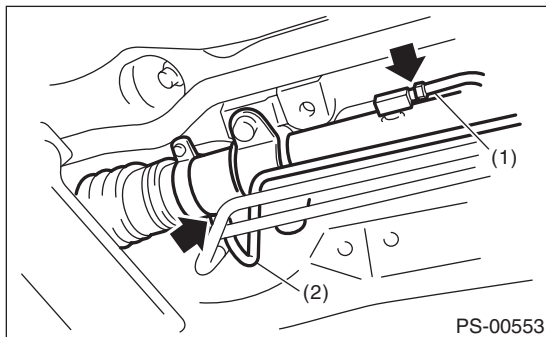
### A: REMOVAL

- 1) Disconnect the ground cable from battery.
- 2) Lift up the vehicle, and then remove the front crossmember support plate and jack-up plate.



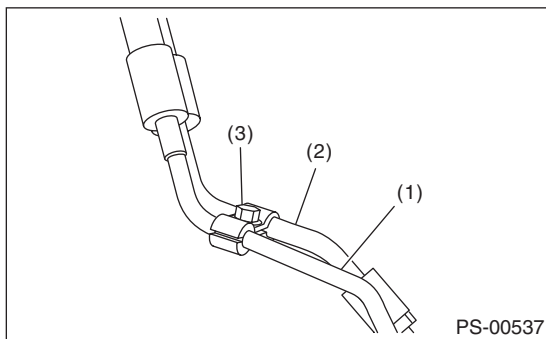
- (1) Front crossmember support plate
- (2) Jack-up plate

- 3) Remove the one pipe joint at the center of the gearbox, and connect the vinyl hose to the pipe and the joint. Discharge the fluid by turning the steering wheel fully clockwise and counterclockwise. Discharge the fluid similarly from other pipes.



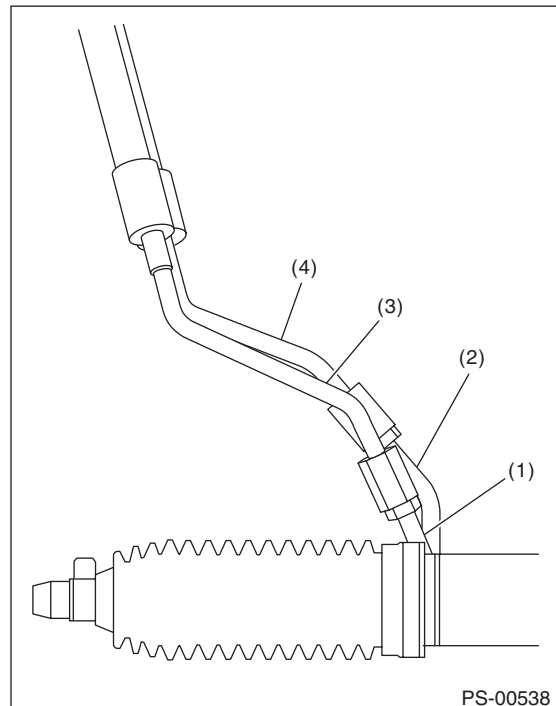
- (1) Pipe A
- (2) Pipe B

- 4) Remove the clamp E from return hose and pressure hose.



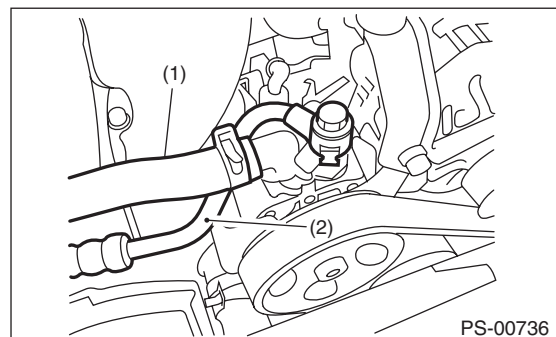
- (1) Return hose
- (2) Pressure hose
- (3) Clamp E

- 5) Disconnect the pipe D from return hose and pipe C from pressure hose.



- (1) Pipe C
- (2) Pipe D
- (3) Pressure hose
- (4) Return hose

- 6) Remove the air intake duct. <Ref. to IN(H6DO)-8, REMOVAL, Air Intake Duct.>
- 7) Disconnect the suction hose and pressure hose from oil pump.

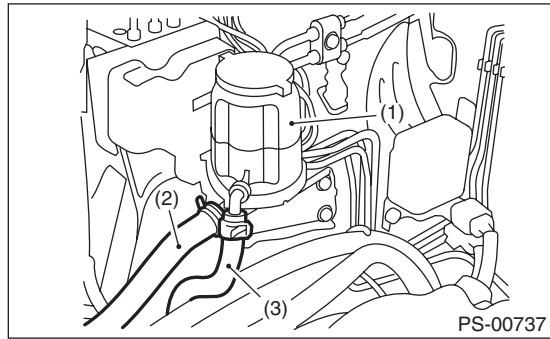


- (1) Suction hose
- (2) Pressure hose

# Pipe Assembly

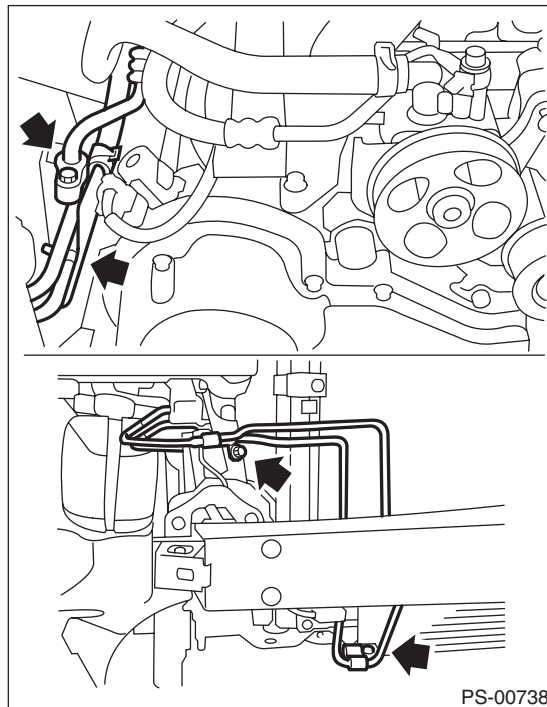
## POWER ASSISTED SYSTEM (POWER STEERING)

8) Disconnect the suction hose and return hose from the reservoir tank.

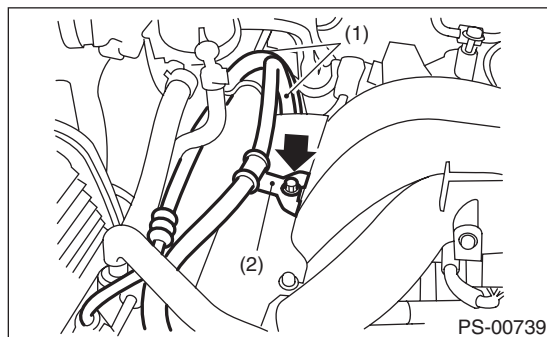


- (1) Reservoir tank
- (2) Suction hose
- (3) Return hose

9) Remove the oil cooler pipe.



10) Remove the hose bracket and take out the hose assembly from vehicle.



- (1) Hose ASSY
- (2) Hose bracket

## B: INSTALLATION

1) Install in the reverse order of removal.

### **Tightening torque:**

**<Ref. to PS-4, POWER ASSISTED SYSTEM, COMPONENT, General Description.>**

2) Fill with the specified fluid.

### **CAUTION:**

**Never start the engine before filling with fluid; otherwise the vane pump may become seized.**

3) Finally, check the clearance between pipes or hoses as shown in the figure indicated in "General Diagnostic Table". <Ref. to PS-52, INSPECTION OF CLEARANCE, INSPECTION, General Diagnostic Table.>

# Pipe Assembly

POWER ASSISTED SYSTEM (POWER STEERING)

## C: INSPECTION

Check all disassembled parts for wear, damage or other problems. Repair or replace the defective parts as necessary.

| Part  | Maintenance parts  | Corrective action        |
|-------|--|--------------------------|
| Pipe  | <ul style="list-style-type: none"> <li>• O-ring fitting surface damage</li> <li>• Nut damage</li> <li>• Pipe damage</li> </ul>   | Replace with a new part. |
| Clamp | <ul style="list-style-type: none"> <li>• Loose clamps</li> </ul>   | Replace with a new part. |
| Hose  | <ul style="list-style-type: none"> <li>• Flare surface damage</li> <li>• Flare nut damage</li> <li>• Outer surface cracks</li> <li>• Outer surface wear</li> <li>• Clip damage</li> <li>• End coupling or adapter deformation</li> </ul> | Replace with a new part. |

### CAUTION:

**Although the surface layer materials of rubber hoses have excellent weathering resistance, heat resistance and resistance for low temperature brittleness, they are likely to be damaged chemically by brake fluid, battery electrolyte, engine oil and automatic transmission fluid and their service lives are to be very shortened. Wipe off hoses immediately if any of these come into contact with the hoses. Since resistances for heat or low temperature brittleness are gradually declining according to time accumulation of hot or cold conditions for the hoses and their service lives are shortening accordingly, it is necessary to perform careful inspection frequently when the vehicle is used in hot weather areas, cold weather areas and a driving condition in which many steering operations are required in short time.**

**Continuous discharge of the relief valve for 5 seconds or more will reduce the service lives of hoses, oil pump, fluid, etc., due to over heating.**

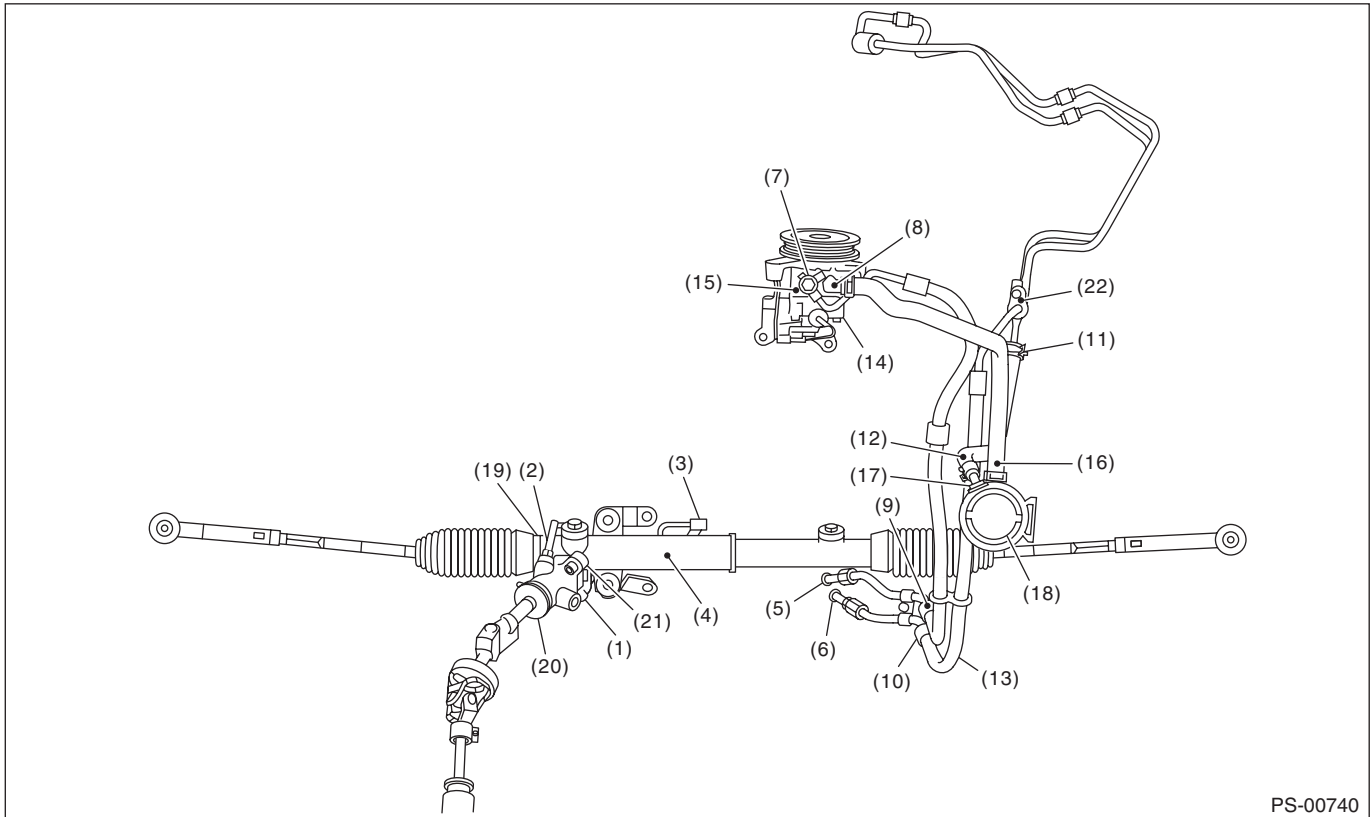
| Trouble                            | Possible cause   | Corrective action                           |
|------------------------------------|--|---|
| Pressure hose burst                | Excessive holding time of relief status                                  | Instruct customers.                         |
|                                    | Malfunction of the relief valve  | Replace the oil pump.                       |
|                                    | Poor cold characteristic of fluid  | Replace fluid.                              |
| Disconnection of the return hose   | Improper connection  | Repair.                                     |
|                                    | Loosening of the clip  | Retighten.                                  |
|                                    | Poor cold characteristic of fluid  | Replace fluid.                              |
| Fluid slightly leaking out of hose | Wrong layout, tensioned  | Replace the hose.                           |
|                                    | Excessive play of engine due to deterioration of engine mounting rubber  | Replace the parts if defective.             |
|                                    | Improper stop position of pitching stopper                               | Replace the parts if defective.             |
| Crack on hose                      | Excessive holding time of relief status                                  | Replace.<br>Instruct customers.             |
|                                    | Excessive tightening torque for return hose clip                         | Replace.                                    |
|                                    | Power steering fluid, engine oil, electrolyte adhere on the hose surface | Replace.<br>Be careful during service work. |
|                                    | Too many uses in extremely cold weather                                  | Replace.<br>Instruct customers.             |

# Pipe Assembly

## POWER ASSISTED SYSTEM (POWER STEERING)

### NOTE:

There are conditions in which a fluid leak is diagnosed, but is not actually leaking. This is because the fluid spilt during the last maintenance was not completely wiped off. Be sure to wipe off spilt fluid thoroughly after maintenance.



| Fluid leaking area  | Possible cause   | Corrective action  |
|---|--|--|
| Leakage from the connections of pipes and hoses, numbered (1) through (8) in the figure | Insufficient tightening of flare nut, adhesion of dirt, damage to flare or flare nut or eye bolt | Loosen and retighten. Replace if ineffective.  |
|   | Improper installation of hose or clamp   | Retighten or replace the clamp.  |
|   | Damaged O-ring or gasket   | Replace the O-ring, gasket pipe or hose with new part, if still no improvement, replace the gearbox as well. |
| Leakage from hose (9) through (13) in the figure  | Crack or damage in hose  | Replace with a new part.   |
|   | Crack or damage in hose hardware   | Replace with a new part.   |
| Leakage from surrounding of cast iron portion of oil pump, (14) and (15) in the figure  | Damaged O-ring   | Replace the oil pump.  |
|   | Damaged gasket   | Replace the oil pump.  |
| Leakage from oil tank, (16) and (17) in the figure                                      | Crack in oil tank  | Replace the oil tank.  |
| Leakage from filler neck of (18)  | Damaged cap gasket   | Replace the cap.   |
|   | Crack in root of filler neck   | Replace the oil tank.  |
|   | Fluid level too high   | Adjust the fluid level.  |
| Leakage from power cylinder of gear-box area (19) in the figure                         | Damaged oil seal   | Replace the oil seal.  |
| Leakage from (20), (21) in the figure and control valve of gearbox                      | Damaged gasket or oil seal   | Replace the problem parts.   |
|   | Damage in control valve  | Replace the control valve.   |
| (22) Leakage from the joints between cooler pipe and hose.                              | Insufficient tightening of connecting portion.   | Loosen and retighten.  |