

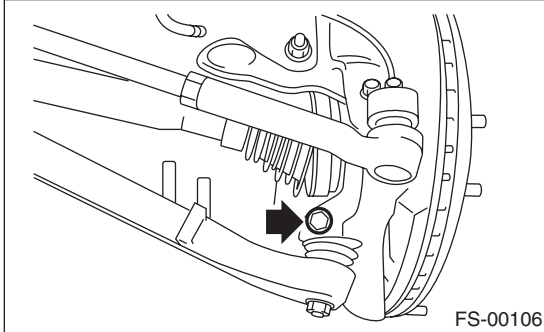
Front Arm

FRONT SUSPENSION

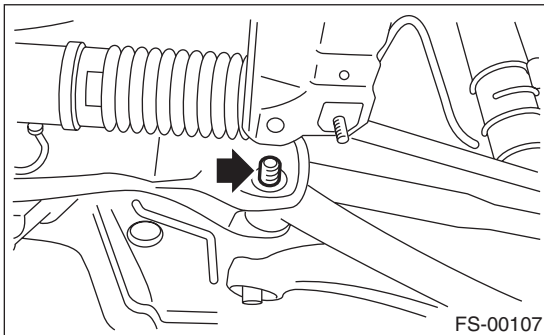
6. Front Arm

A: REMOVAL

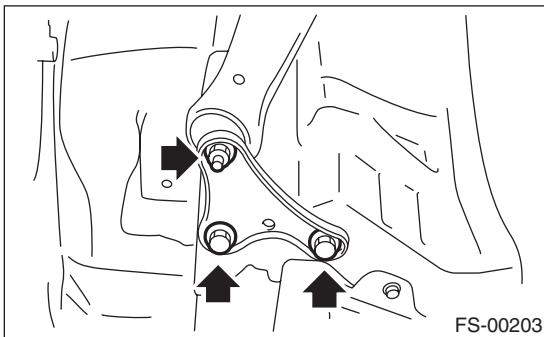
- 1) Lift up the vehicle, and then remove the front wheels.
- 2) Remove the front crossmember support plate. <Ref. to FS-13, REMOVAL, Front Crossmember Support Plate.>
- 3) Remove the front stabilizer. <Ref. to FS-14, REMOVAL, Front Stabilizer.>
- 4) Remove the ball joint of front arm.



- 5) Remove the nut securing the front arm to crossmember. (Do not remove the bolt.)



- 6) Remove the front arm support plate.

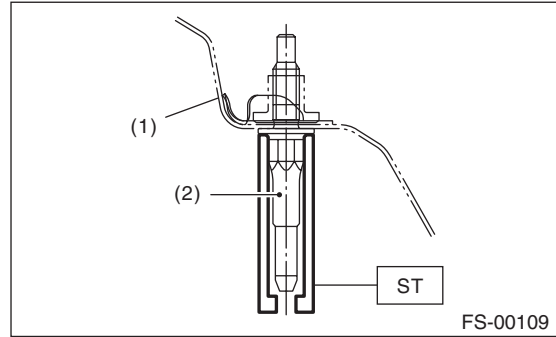


- 7) Remove the bolt securing front arm to crossmember and pull the front arm out of the crossmember.

- 8) To remove the stud bolt, use the ST.
ST 20299AG020 STUD BOLT SOCKET

CAUTION:

Do not remove the stud bolt without necessity. Always replace the parts with new parts when removed.



- (1) Vehicle body
- (2) Stud bolt

B: INSTALLATION

- 1) Using the ST, install the stud bolt.
ST 20299AG020 STUD BOLT SOCKET

Tightening torque:

110 N·m (11.2 kgf-m, 81.1 ft-lb)

- 2) Using new bolts and self-locking nuts, temporarily tighten the front arm to crossmember.
- 3) Secure the front arm to body, and then install the support plate with new bolts and self-locking nuts.

Tightening torque:

Support plate to Front arm:

88 N·m (9.0 kgf-m, 64.9 ft-lb)

Support plate to Body:

150 N·m (15.3 kgf-m, 110.6 ft-lb)

- 4) Install the ball joint into housing.

Tightening torque:

50 N·m (5.1 kgf-m, 36.9 ft-lb)

- 5) Install the stabilizer. <Ref. to FS-14, INSTALLATION, Front Stabilizer.>

- 6) Lower the vehicle from lift, and tighten the bolt which secures the front arm to crossmember with wheels in full contact with the ground and the vehicle at curb weight.

Tightening torque:

95 N·m (9.7 kgf-m, 70.1 ft-lb)

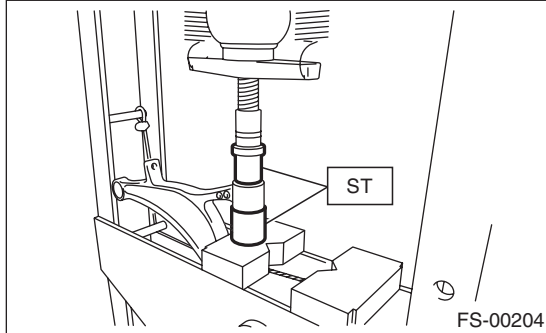
- 7) Inspect the wheel alignment and adjust if necessary.

C: DISASSEMBLY

1. FRONT BUSHING

Using the ST and a press, remove the front bushing.

ST 927680000 INSTALLER & REMOVER SET

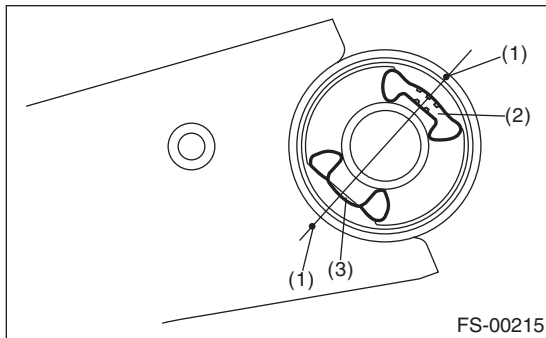


2. REAR BUSHING

1) Put an alignment mark on the front arm based on the center of rear bushing recess portion.

CAUTION:

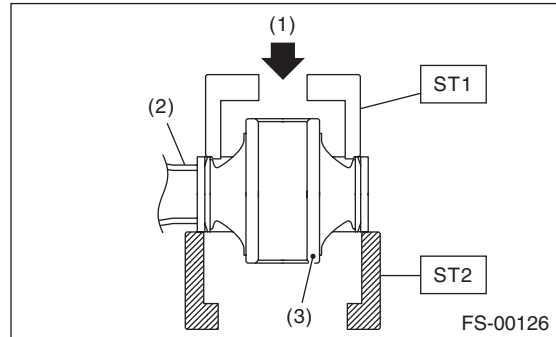
Always put an alignment mark for aligning the position on bushing installation.



- (1) Put an alignment mark.
- (2) Recess portion (wide spacing)
- (3) Recess portion (narrow spacing)

2) Using the ST and a press, remove the rear bushing.

ST1 20299AG000 REMOVER
ST2 20299AG010 BASE



- (1) Press
- (2) Front arm
- (3) Rear bushing

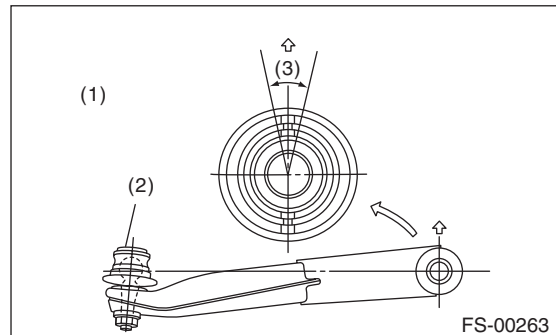
D: ASSEMBLY

1. FRONT BUSHING

Assemble in the reverse order of disassembly.

CAUTION:

Install the front bushing in proper direction as shown in the figure.



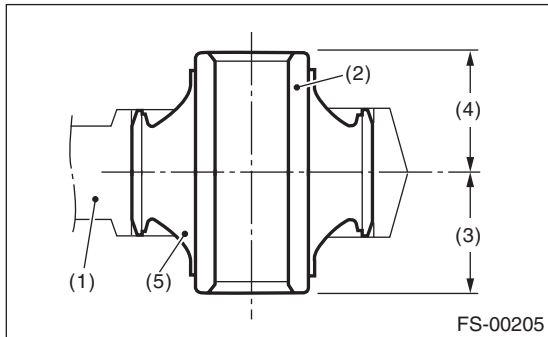
- (1) Face the bushing toward the center of ball joint.
- (2) Ball joint
- (3) $\pm 3^\circ$

Front Arm

FRONT SUSPENSION

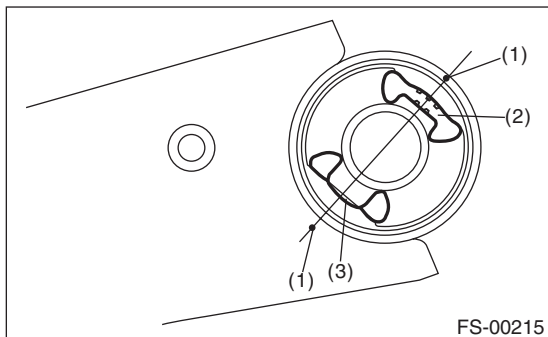
2. REAR BUSHING

1) As shown in the figure below, install the rear bushing with its longer inner cylinder facing downward and the shorter facing upward, with the identification paint marking pointed down.



- (1) Front arm
- (2) Bushing inner cylinder
- (3) Longer
- (4) Shorter
- (5) Identification paint

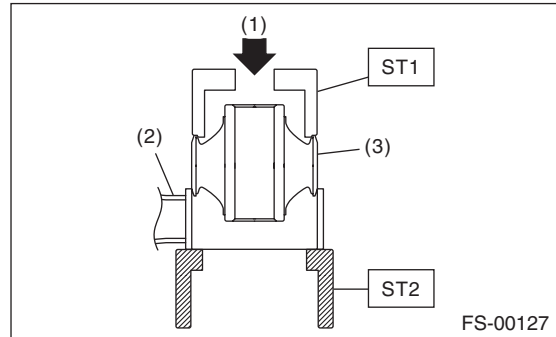
2) Align the center of rear bushing recess portion with the aligning mark on the front arm.



- (1) Alignment mark
- (2) Recess portion (wide spacing)
- (3) Recess portion (narrow spacing)

3) Using the ST and a press, install the rear bushing.

ST1 20299AG000 REMOVER
ST2 20299AG010 BASE



- (1) Press
- (2) Front arm
- (3) Rear bushing

E: INSPECTION

1) Check the front arm for wear, damage or cracks, and correct or replace if defective.

2) Check the bushing for crack, fatigue or damage.