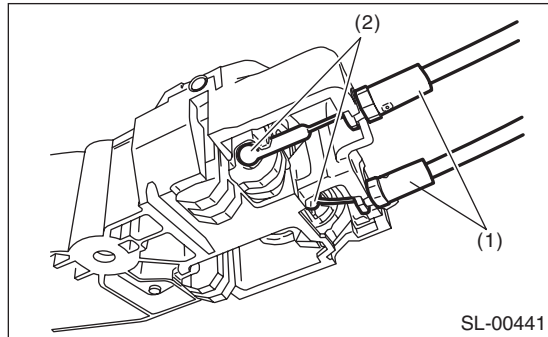


## 9. Rear Inner Remote

### A: REMOVAL

- 1) Remove the rear door trim. <Ref. to EI-36, REMOVAL, Door Trim.>
- 2) Remove the screw, slide the inner remote to the rear, and remove from the panel.
- 3) Remove the cable (1).
- 4) Remove the cable end (2), and detach the inner remote handle.



### B: INSTALLATION

Install in the reverse order of removal.

### C: INSPECTION

- 1) Check the cables of the remote handle and lock knob for deformation. If any deformation is found, correct the deformation, as this may cause the improper operation. Replace the rear door latch and door lock actuator assembly, if the deformation can not be corrected.
- 2) Check the remote handle and lock knob for smooth operation.
- 3) Check the child safety lock for correct operations.