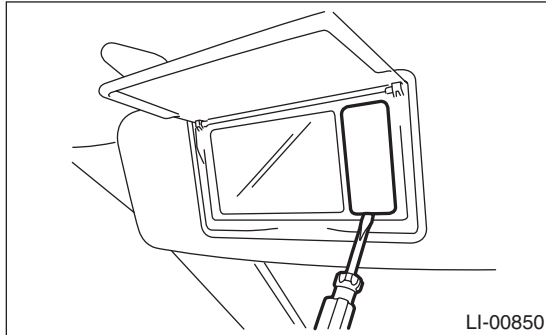


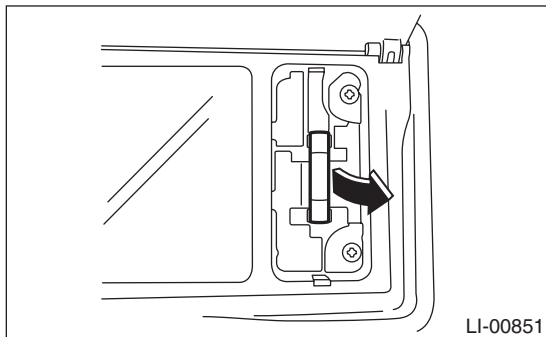
39. Vanity Mirror Light

A: REMOVAL

- 1) Disconnect the ground cable from battery.
- 2) Insert a screwdriver at the edge of the lens, and remove the lens.



- 3) Remove the bulb.



B: INSTALLATION

Install in the reverse order of removal.

C: INSPECTION

- 1) Visually check the bulb for blow out.
- 2) Check the bulb specification.
<Ref. to LI-2, SPECIFICATION, General Description.>
- 3) If NG, replace the bulb with a new part.

Vanity Mirror Light

LIGHTING SYSTEM

WIPER AND WASHER SYSTEMS



	Page
1. General Description	2
2. Wiper and Washer System	6
3. Combination Switch (Wiper)	7
4. Wiper Blade	12
5. Washer Tank and Motor	14
6. Wiper Relay Unit	16
7. Front Wiper Arm	17
8. Front Wiper Motor and Link	18
9. Front Washer Nozzle	19
10. Rear Wiper Arm	20
11. Rear Wiper Motor	21
12. Rear Washer	22