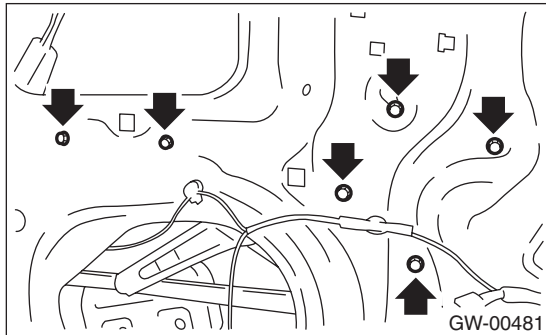


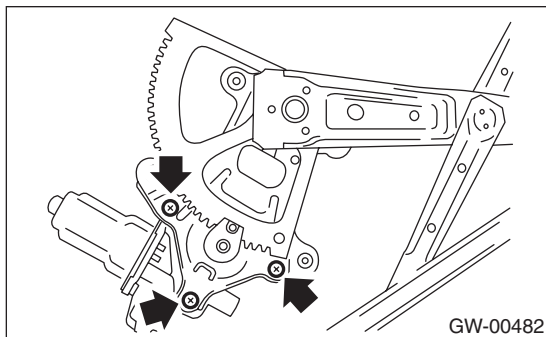
5. Front Regulator and Motor Assembly

A: REMOVAL

- 1) Remove the door glass. <Ref. to GW-10, REMOVAL, Front Door Glass.>
- 2) Disconnect the motor connector.
- 3) Remove the four bolts and two nuts to remove regulator assembly.



- 4) Remove the screws to remove motor assembly.



NOTE:

When removing the motor assembly, secure the arm correctly. Otherwise the regulator arm moves with the force of balancing spring.

B: INSTALLATION

Install in the reverse order of removal.

Tightening torque:

Refer to “COMPONENT” of “General Description”. <Ref. to GW-3, FRONT DOOR GLASS, COMPONENT, General Description.>

C: INSPECTION

- 1) Make sure that the power window motor rotates properly when the battery voltage is applied to the terminals of motor connector.
- 2) Change polarity of battery connection to terminals to ensure that the motor rotates in reverse direction.