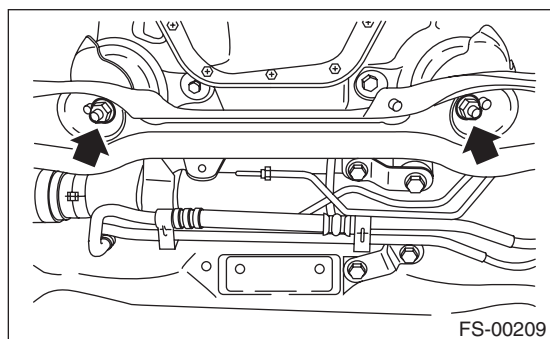


8. Front Crossmember

A: REMOVAL

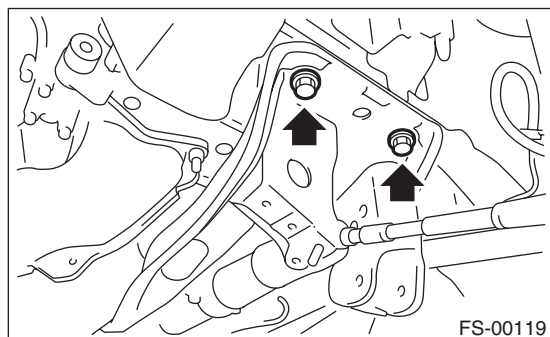
- 1) Lift up the vehicle, and then remove the front wheels.
- 2) Remove the front exhaust pipe.
- 3) Remove the front crossmember support plate. <Ref. to FS-15, REMOVAL, Front Crossmember Support Plate.>
- 4) Remove the front stabilizer. <Ref. to FS-16, REMOVAL, Front Stabilizer.>
- 5) Disconnect the tie-rod end from housing.
- 6) Remove the front arm. <Ref. to FS-18, REMOVAL, Front Arm.>
- 7) Remove the nuts attaching the engine mount cushion rubber to crossmember.



- 8) Remove the steering universal joint.
- 9) Disconnect the power steering hose from steering gearbox.
- 10) Lift the engine approx. 10 mm (0.39 in) using a chain block.
- 11) Support the crossmember with a jack, remove the bolts securing crossmember to body, and then gradually lower the crossmember with steering gearbox as a unit.

CAUTION:

When removing the crossmember downward, be careful that the tie-rod end does not interfere with drive shaft boot.



B: INSTALLATION

- 1) Install in the reverse order of removal.

CAUTION:

- Use a new bolt and self-locking nut. For parts which are not reusable, refer to “COMPONENT”. <Ref. to FS-3, COMPONENT, General Description.>
- Always tighten bushings with wheels in full contact with the ground and the vehicle at curb weight.

Tightening torque:

Crossmember to body:

95 N·m (9.7 kgf-m, 70.1 ft-lb)

Engine mounting to Crossmember:

85 N·m (8.7 kgf-m, 62.7 ft-lb)

Front arm to Crossmember:

95 N·m (9.7 kgf-m, 70.1 ft-lb)

Front arm to Support plate:

88 N·m (9.0 kgf-m, 64.9 ft-lb)

Support plate to Body:

150 N·m (15.3 kgf-m, 110.6 ft-lb)

Tie-rod end to Housing:

27.0 N·m (2.75 kgf-m, 19.9 ft-lb)

After tightening to the specified torque, tighten the castle nut further but within 60° until the hole in the ball stud is aligned with a slot in castle nut

Universal joint:

24 N·m (2.4 kgf-m, 17.4 ft-lb)

Stabilizer clamp:

25 N·m (2.5 kgf-m, 18.1 ft-lb)

Stabilizer link:

60 N·m (6.1 kgf-m, 44.3 ft-lb)

Power steering hose to Steering gearbox:

15 N·m (1.5 kgf-m, 11 ft-lb)

- 2) Purge air from the power steering system.
- 3) Inspect the wheel alignment and adjust if necessary.

C: INSPECTION

Check the crossmember for wear, damage or cracks, and then repair or replace if faulty.