

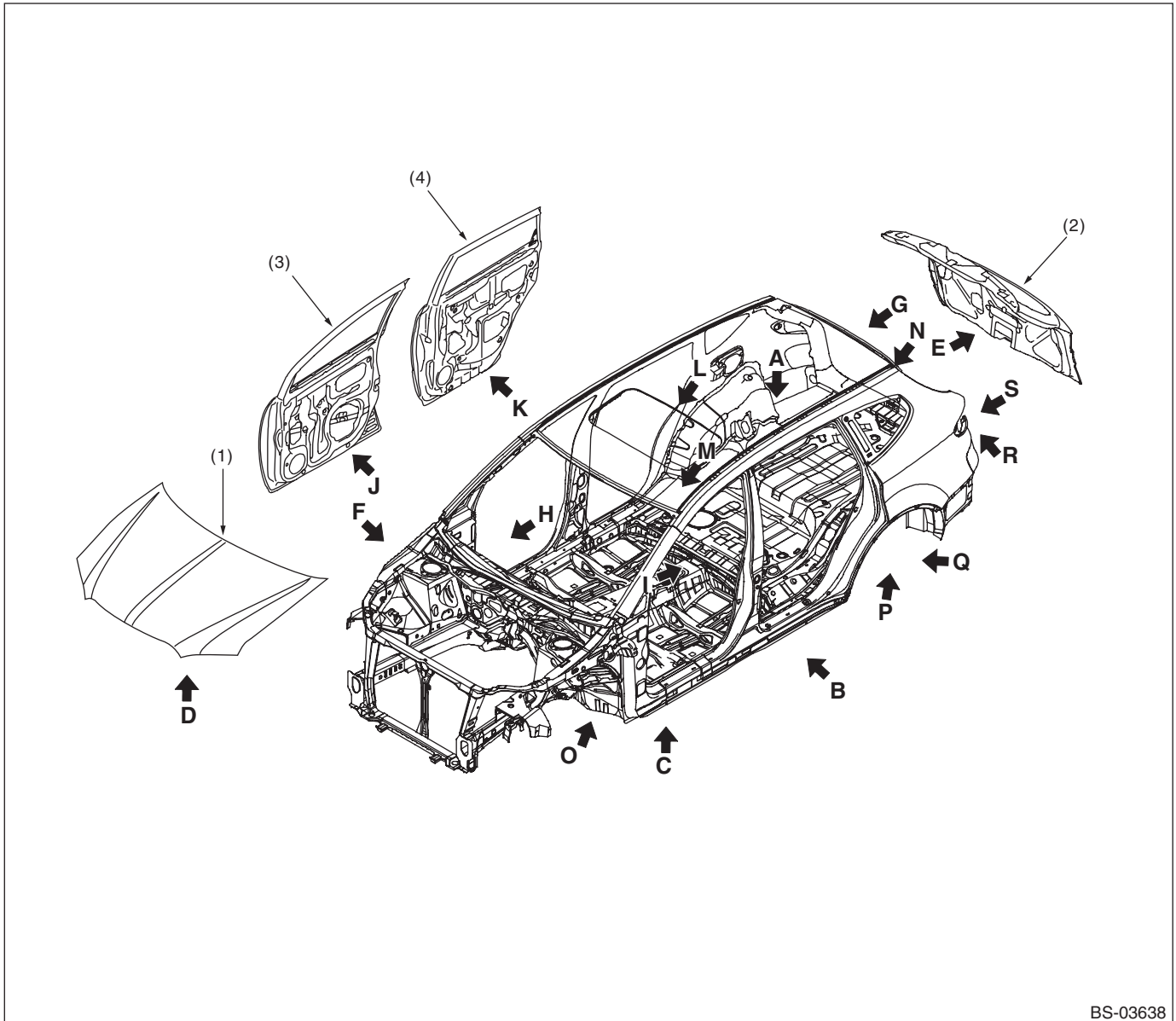
3. Body Sealing

A: SPECIFICATION

Used material:

THREE BOND 4101 (004403063)

—: Sealing application locations



BS-03638

- (1) Front hood
- (2) Rear gate

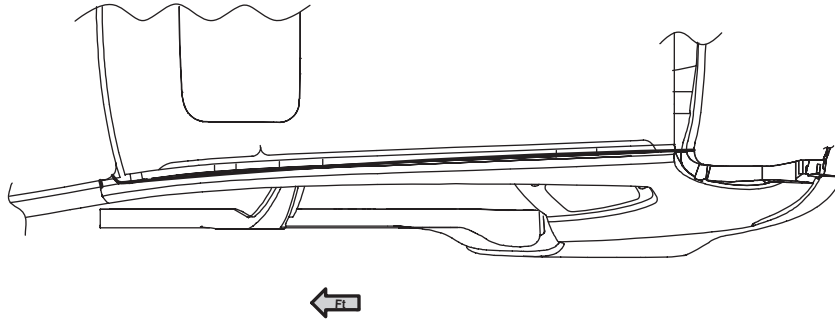
- (3) Front door

- (4) Rear door

Body Sealing

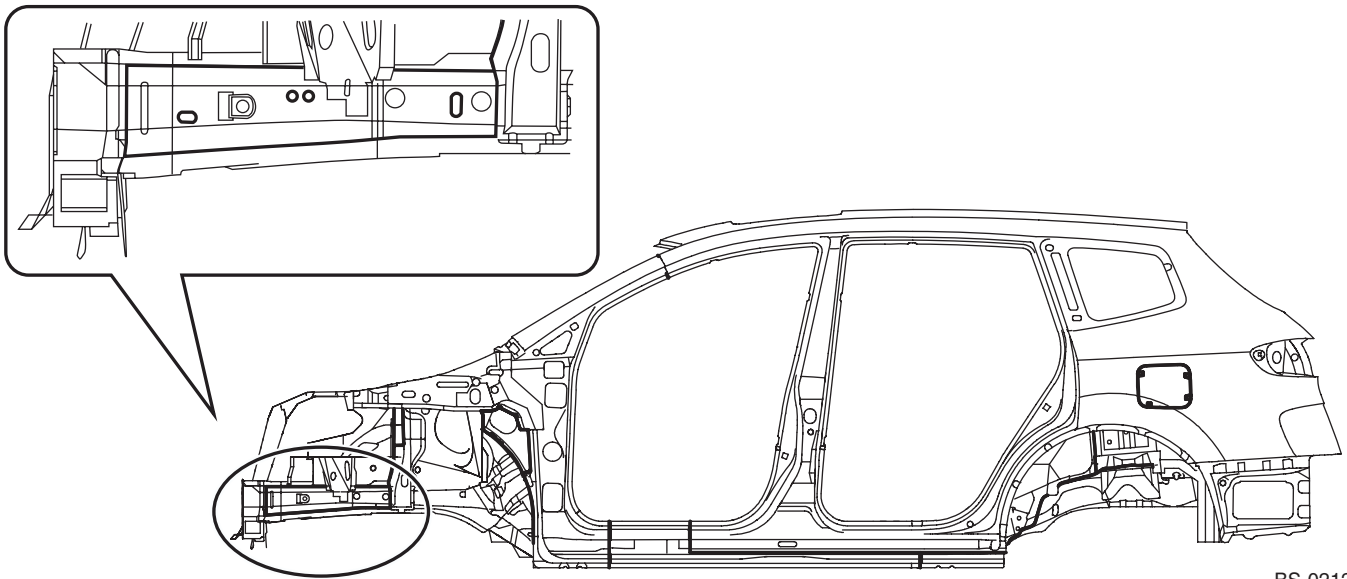
BODY STRUCTURE

View A



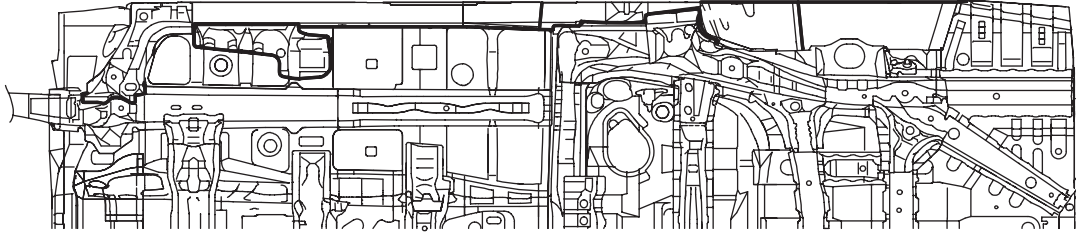
BS-02120

View B



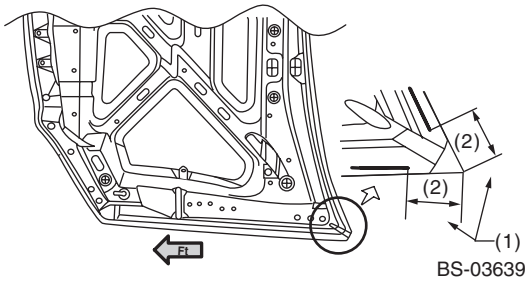
BS-02121

View C

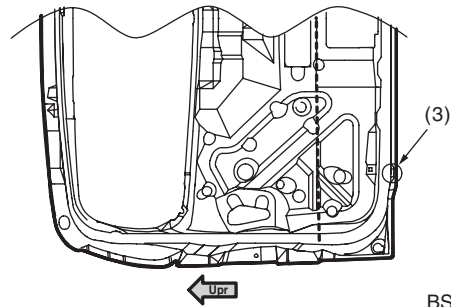


BS-01659

View D



View E

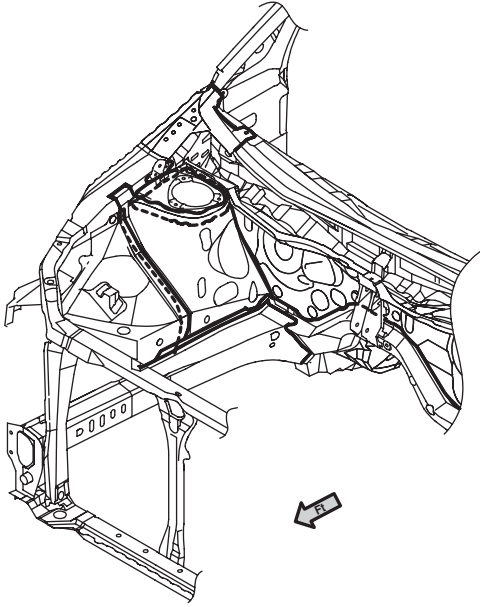


- (1) Application not required.
- (2) 50 mm (1.97 in)
- (3) Do not block the water drain hole.

Body Sealing

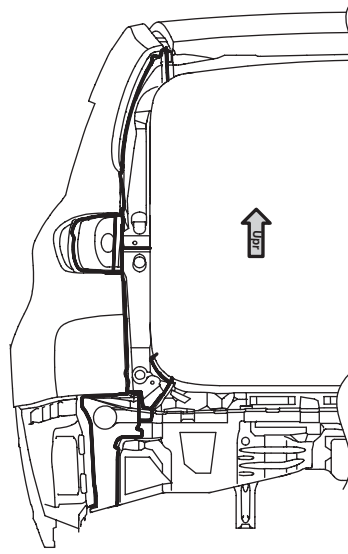
BODY STRUCTURE

View F



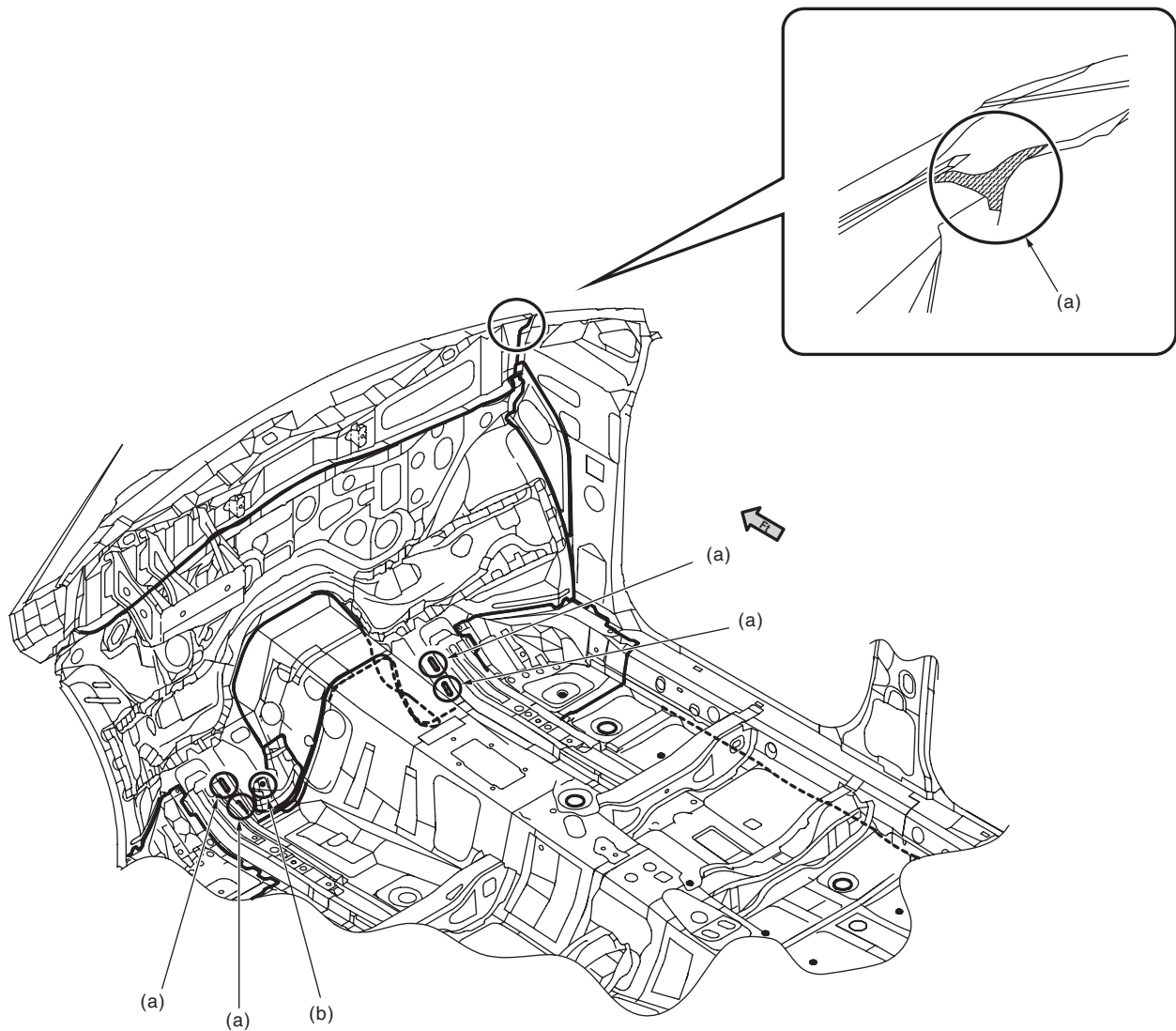
BS-01662

View G



BS-01663

View H



BS-01712

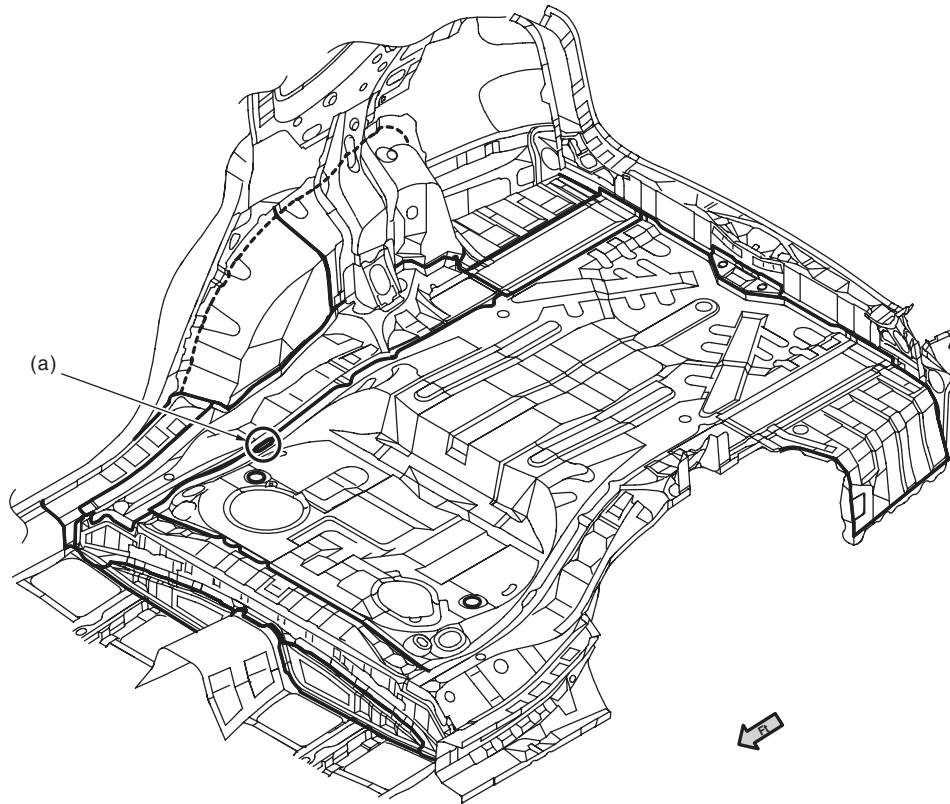
(a) The holes shall be blocked.

(b) The holes shall be blocked.
LH side: one location
RH side: two locations

Body Sealing

BODY STRUCTURE

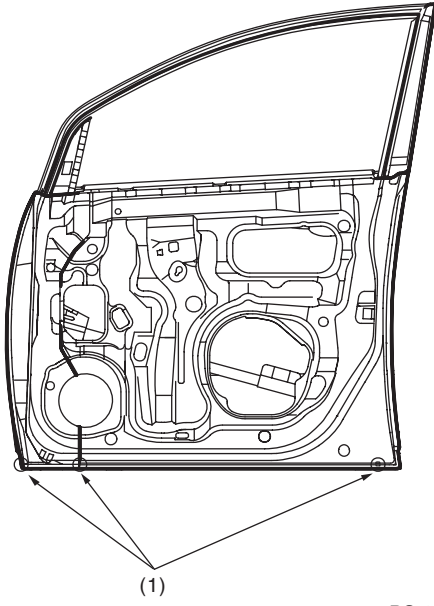
View I



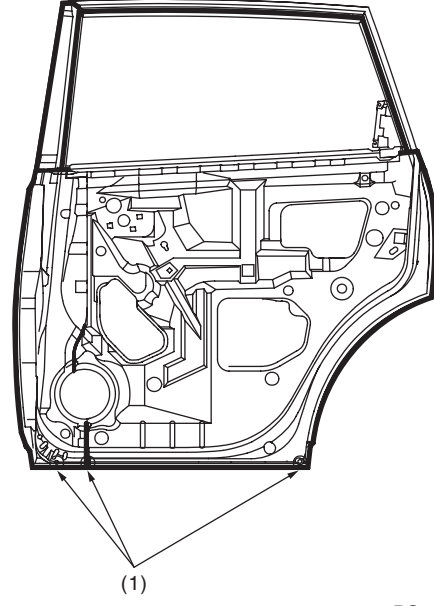
BS-01707

(a) The holes shall be blocked.

View J



View K

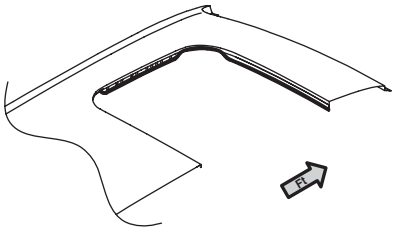
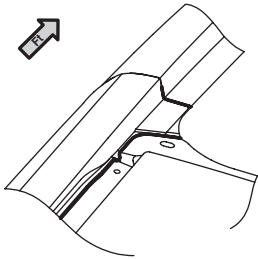
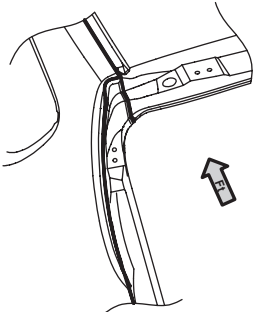
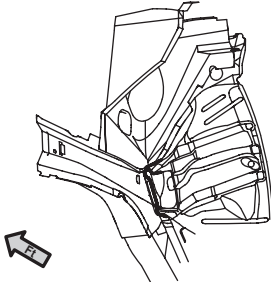
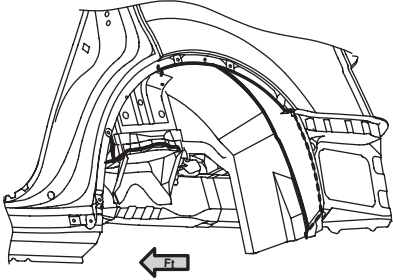
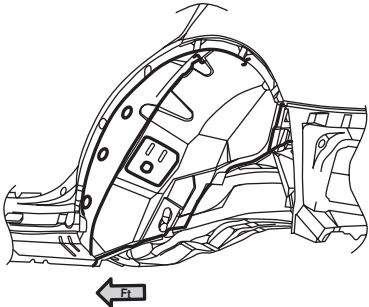
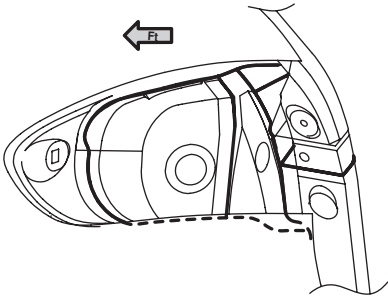
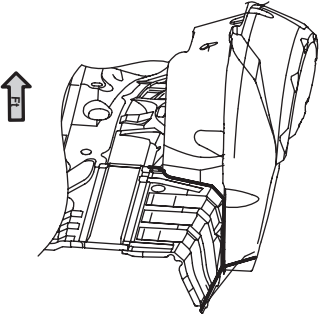


(1) Do not block the water drain holes.

(1) Do not block the water drain holes.

Body Sealing

BODY STRUCTURE

<p>View L</p>  <p>BS-01668</p>	<p>View M</p>  <p>BS-01669</p>
<p>View N</p>  <p>BS-01670</p>	<p>View O</p>  <p>BS-01671</p>
<p>View P</p>  <p>BS-01708</p>	<p>View Q</p>  <p>BS-01709</p>
<p>View R</p>  <p>BS-01674</p>	<p>View S</p>  <p>BS-01675</p>