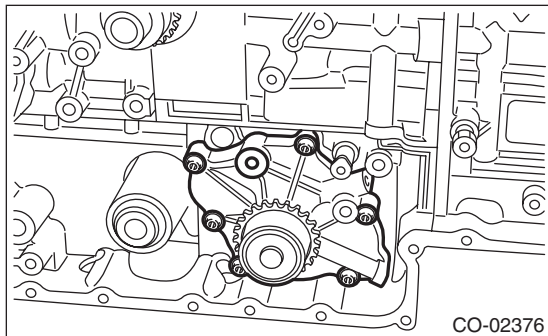


4. Water Pump

A: REMOVAL

- 1) Remove the radiator. <Ref. to CO(H6DO)-16, REMOVAL, Radiator.>
- 2) Remove the V-belt. <Ref. to ME(H6DO)-46, REMOVAL, V-belt.>
- 3) Remove the crank pulley. <Ref. to ME(H6DO)-47, REMOVAL, Crank Pulley.>
- 4) Remove the chain cover. <Ref. to ME(H6DO)-48, REMOVAL, Chain Cover.>
- 5) Remove the timing chain assembly. <Ref. to ME(H6DO)-54, REMOVAL, Timing Chain Assembly.>
- 6) Remove the water pump.



B: INSTALLATION

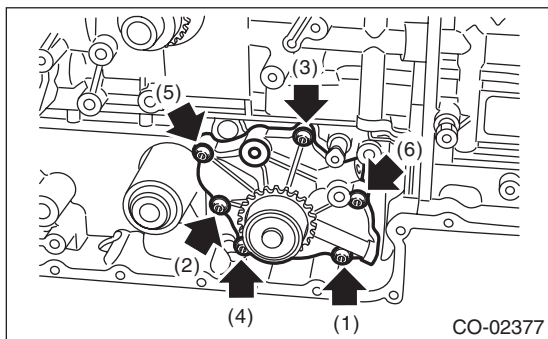
- 1) Install the water pump to oil pan upper.

NOTE:

- Tighten the bolts in the numerical order as shown in the figure.
- Use new O-rings.

Tightening torque:

6.4 N·m (0.65 kgf-m, 4.7 ft-lb)



- 2) Install the timing chain assembly. <Ref. to ME(H6DO)-60, INSTALLATION, Timing Chain Assembly.>
- 3) Install the chain cover. <Ref. to ME(H6DO)-49, INSTALLATION, Chain Cover.>
- 4) Install the crank pulley. <Ref. to ME(H6DO)-47, INSTALLATION, Crank Pulley.>
- 5) Install the V-belt. <Ref. to ME(H6DO)-46, INSTALLATION, V-belt.>

- 6) Install the radiator. <Ref. to CO(H6DO)-18, INSTALLATION, Radiator.>
- 7) Fill engine coolant. <Ref. to CO(H6DO)-11, FILLING OF ENGINE COOLANT, REPLACEMENT, Engine Coolant.>

C: INSPECTION

- 1) Check the water pump bearing for smooth rotation.
- 2) Check the water pump sprocket for abnormalities.