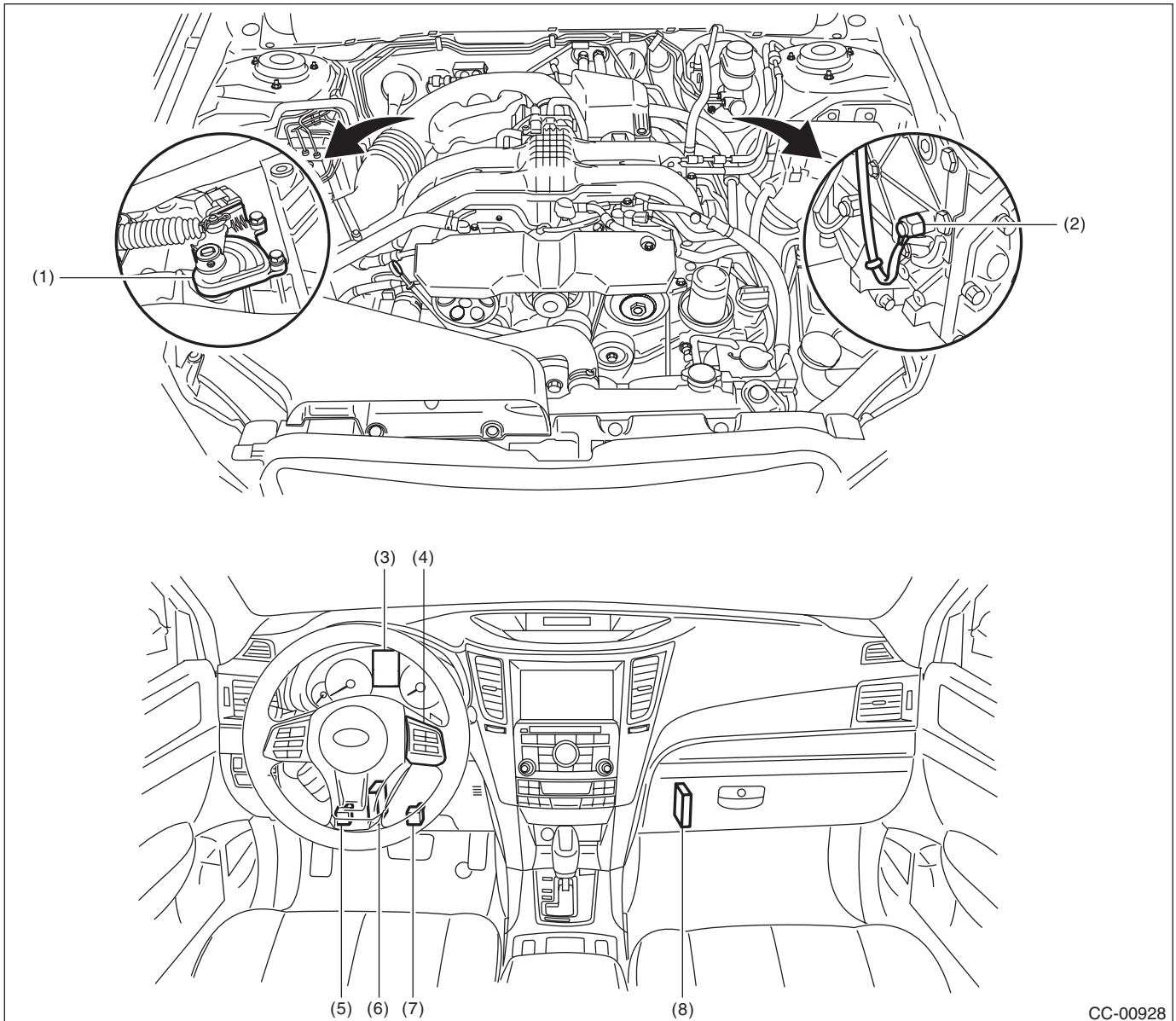


# General Description

## CRUISE CONTROL SYSTEM

### 1. General Description

#### A: COMPONENT



CC-00928

- |   |   |                                 |
|---|---|---------------------------------|
| (1) Inhibitor switch (CVT model)                          | (4) Cruise control command switch                               | (7) Stop light and brake switch |
| (2) Neutral position switch (MT model)                    | (5) Clutch switch (MT model)                                    | (8) Engine control module (ECM) |
| (3) Cruise indicator light and cruise set indicator light | (6) Transmission control module (TCM) (5AT model and CVT model) |                                 |

#### NOTE:

Inhibitor switch for 5AT model is installed on the valve body assembly.

## B: CAUTION

- Before disassembling or reassembling parts, always disconnect the battery ground cable from battery. When replacing the audio, control module and other parts provided with memory functions, record the memory contents before disconnecting the battery ground cable. Otherwise, the memory is cleared.
- Reassemble the parts in the reverse order of disassembly procedure unless otherwise indicated.
- Adjust parts to the given specifications.
- Connect the connectors securely during reassembly.
- After reassembly, make sure that the functional parts operate normally.
- Yellow connectors and harnesses with yellow tapes around them are the connectors and harnesses for the airbag system. Using a tester above such circuits may cause malfunction of airbag system. Follow the cautions for the airbag system in this case. <Ref. to AB-10, CAUTION, General Description.>
- Be careful not to damage the airbag system wiring harness when servicing electrical parts and switches.
- If the steering wheel and steering angle sensor (steering roll connector) are removed, adjust the steering angle sensor. <Ref. to VDC-20, ADJUSTMENT, VDC Control Module and Hydraulic Control Unit (VDC-CM&H/U).>

## C: PREPARATION TOOL

TOOL NAME	REMARKS
Circuit tester	Used for measuring resistance and voltage.
Steering wheel puller	Used for removing the steering wheel.