

## 19. Key Lock Cylinders

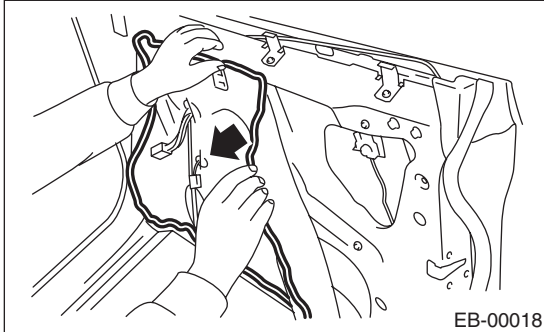
### A: REPLACEMENT

#### 1. FRONT DOOR

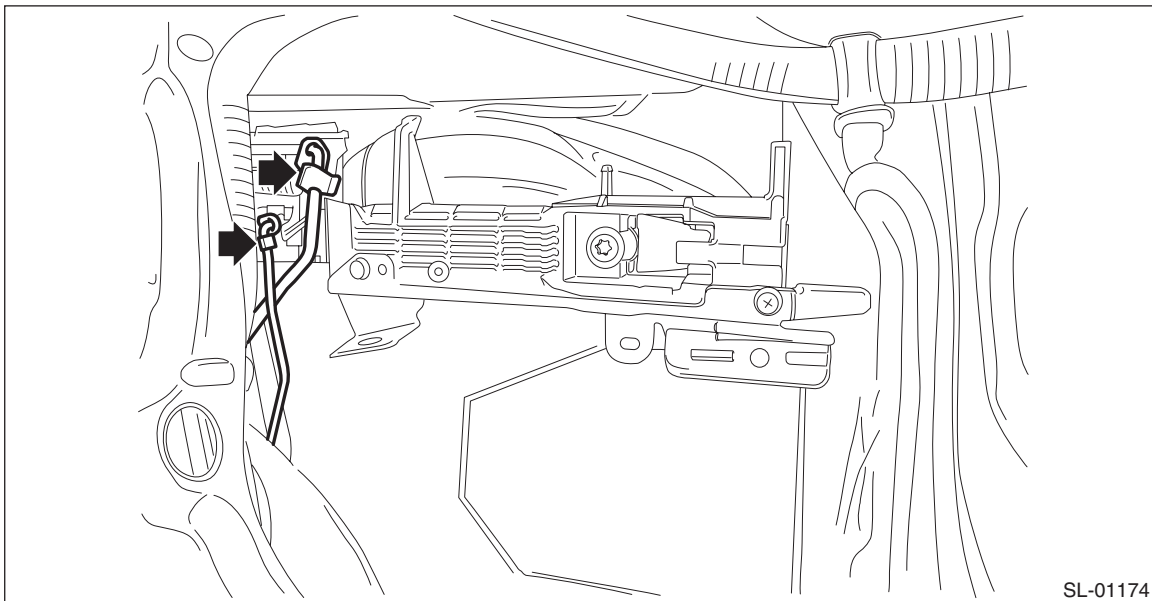
- 1) Raise the front door glass to the top position.
- 2) Remove the door trim. <Ref. to EI-60, FRONT DOOR, REMOVAL, Door Trim.>
- 3) Remove the sealing cover.

#### CAUTION:

- Carefully remove the butyl tape. Excessive force will easily break the cover.
- If the sealing cover gets broken, replace it with a new part.



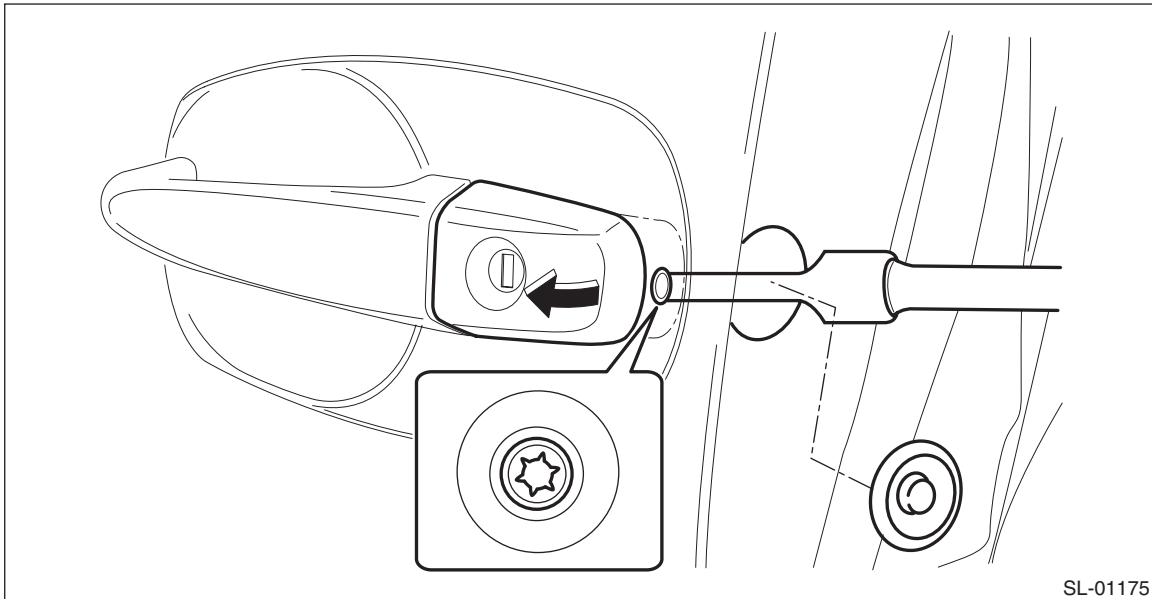
- 4) Release the rod from the rod clamp of outer handle.



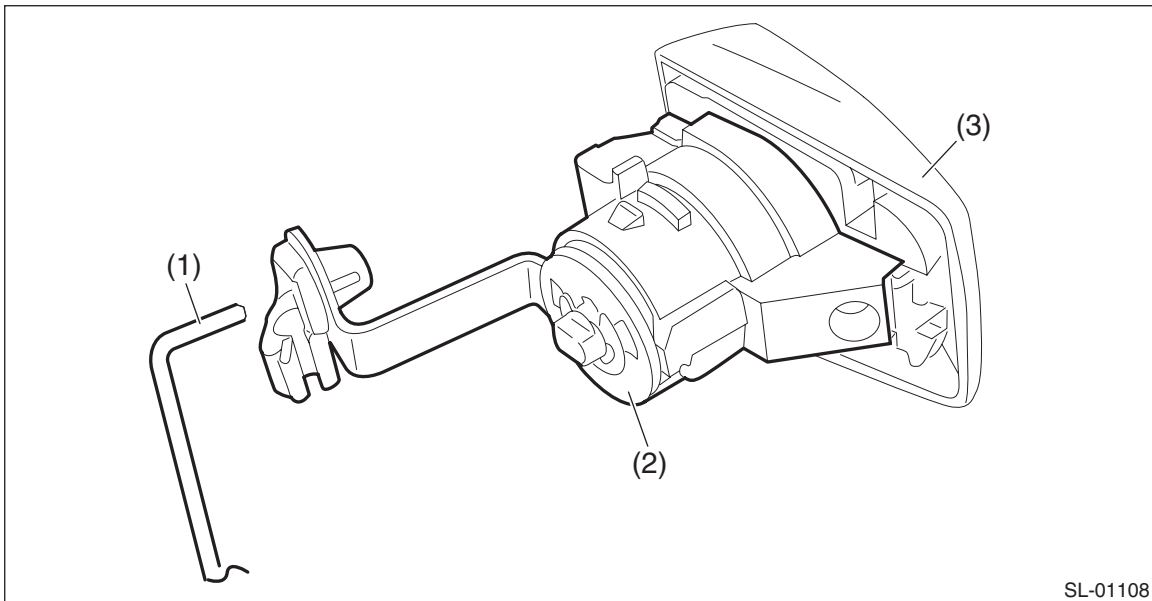
5) Remove the door outer handle cover.

**Preparation tool: TORX® T30**

- (1) Remove the plug to the rear of the door panel.
- (2) Loosen the TORX® bolt and remove the door outer handle cover.



6) Remove the key cylinder from the door outer handle cover, and replace the key cylinder.



(1) Latch connection rod

(2) Key cylinder

(3) Door outer handle cover (driver's seat only)

**Tightening torque:**

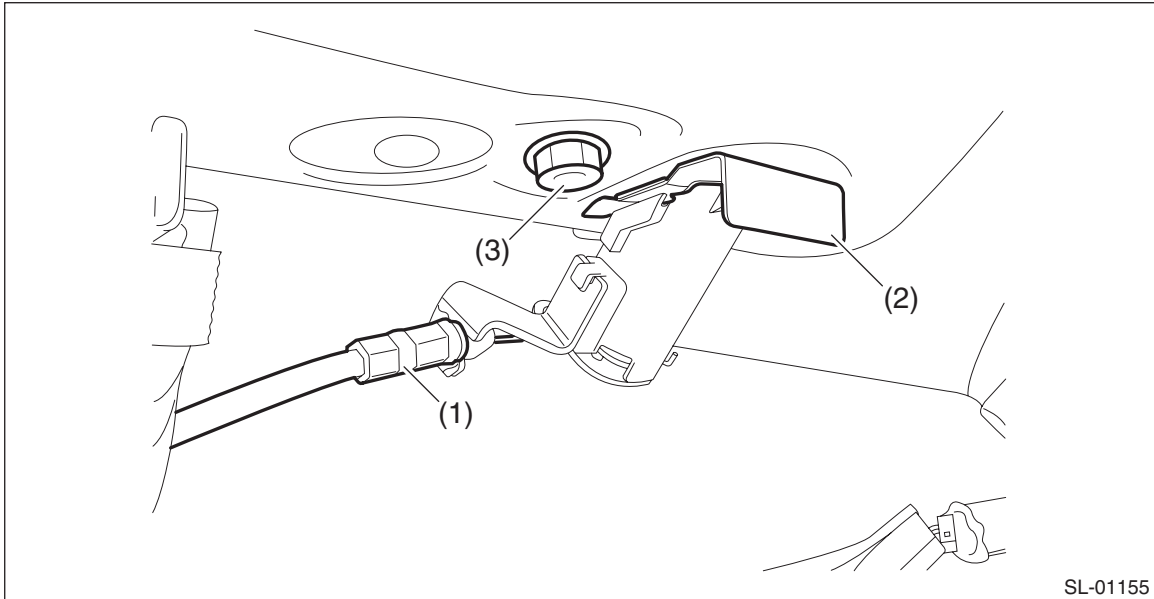
**Refer to "COMPONENT" of "General Description". <Ref. to SL-2, DOOR LOCK ASSEMBLY, COMPONENT, General Description.>**

# Key Lock Cylinders

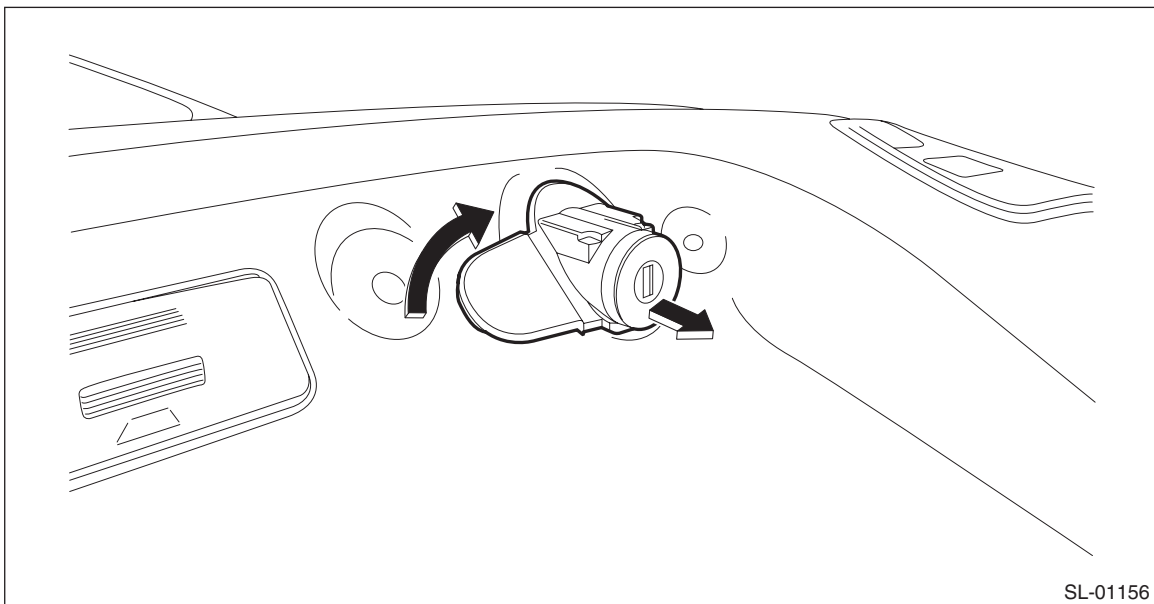
## SECURITY AND LOCKS

### 2. TRUNK LID

- 1) Remove the trunk lid trim. <Ref. to EI-127, TRUNK LID TRIM, REMOVAL, Trunk Room Trim.>
- 2) Remove the key cylinder.
  - (1) Remove the cable (1), clip (2) and bolt (3).



- (2) Remove the key cylinder from the trunk lid, and replace the key cylinder.

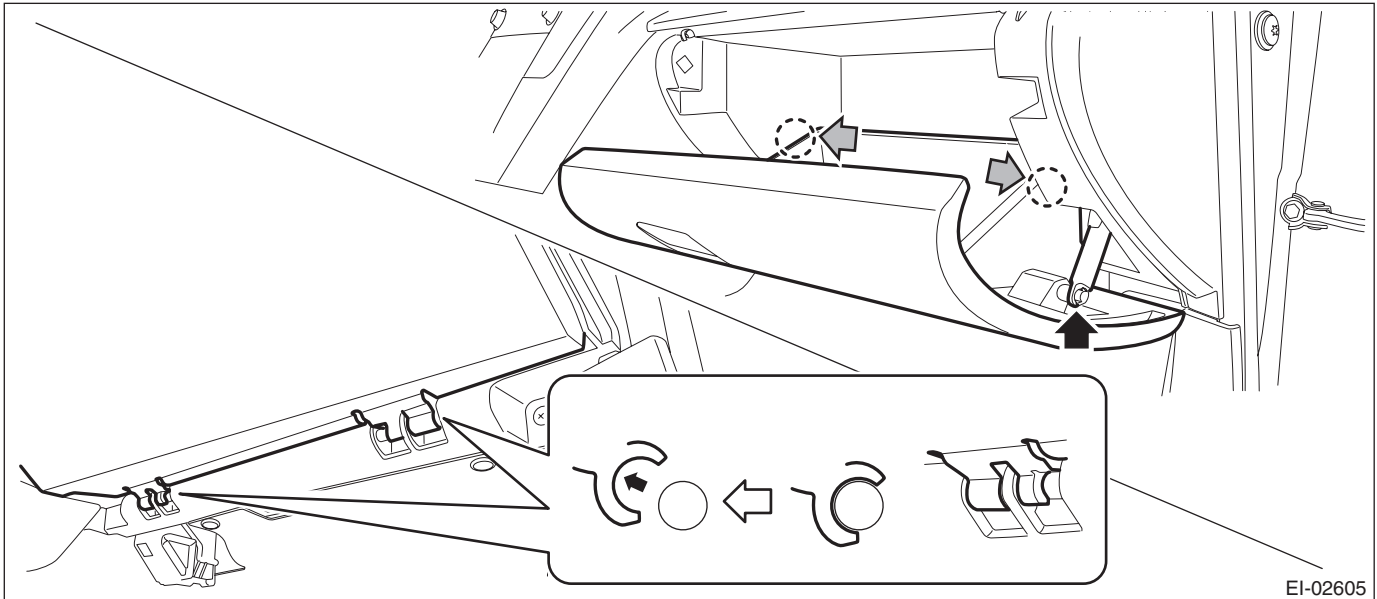


### **Tightening torque:**

**Key cylinder: 7.5 N·m (0.76 kgf-m, 5.5 ft-lb)**

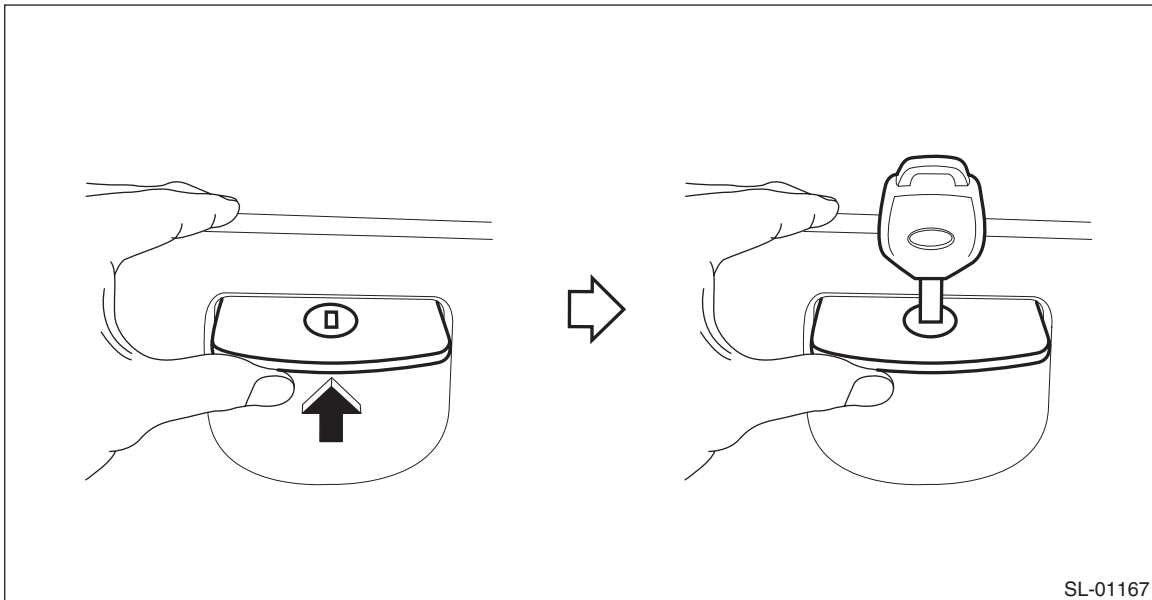
## 3. GLOVE BOX LID

- 1) Remove the glove box lid assembly.
  - (1) Remove the glove box damper.
  - (2) Release the stoppers and remove the glove box lid assembly by pulling it toward you.



EI-02605

- 2) Remove the key cylinder.
  - (1) UNLOCK the key cylinder, and pull up the lock knob.
  - (2) While maintaining the condition (1), insert the key to set LOCK condition.



SL-01167

- (3) Push out the key cylinder, while pressing in the metal plate.

# Key Lock Cylinders

## SECURITY AND LOCKS

---

(4) Remove the key cylinder from lock knob, and replace the key cylinder.

