

Preparation for Overhaul

CONTINUOUSLY VARIABLE TRANSMISSION

26. Preparation for Overhaul

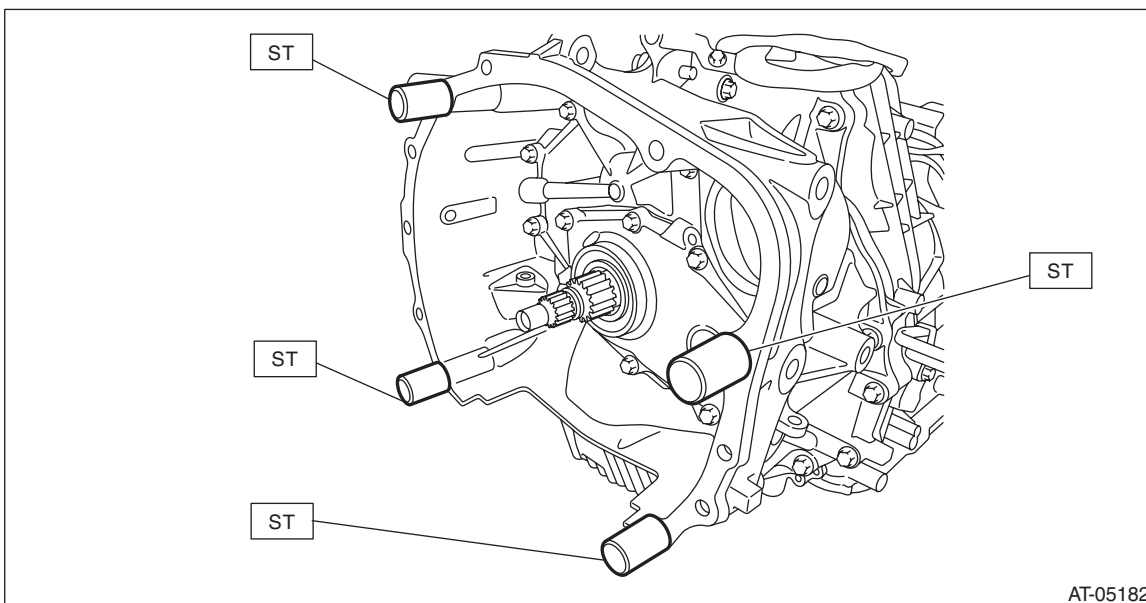
A: GENERAL DESCRIPTION

Before disassembling and assembling the transmission, follow the following procedures to prepare.

B: PROCEDURE

- 1) Clean the transmission exterior.
- 2) Remove the torque converter assembly. <Ref. to CVT-135, Torque Converter Assembly.>
- 3) Attach the ST on the transmission.

ST 18632AA000 STAND ASSY



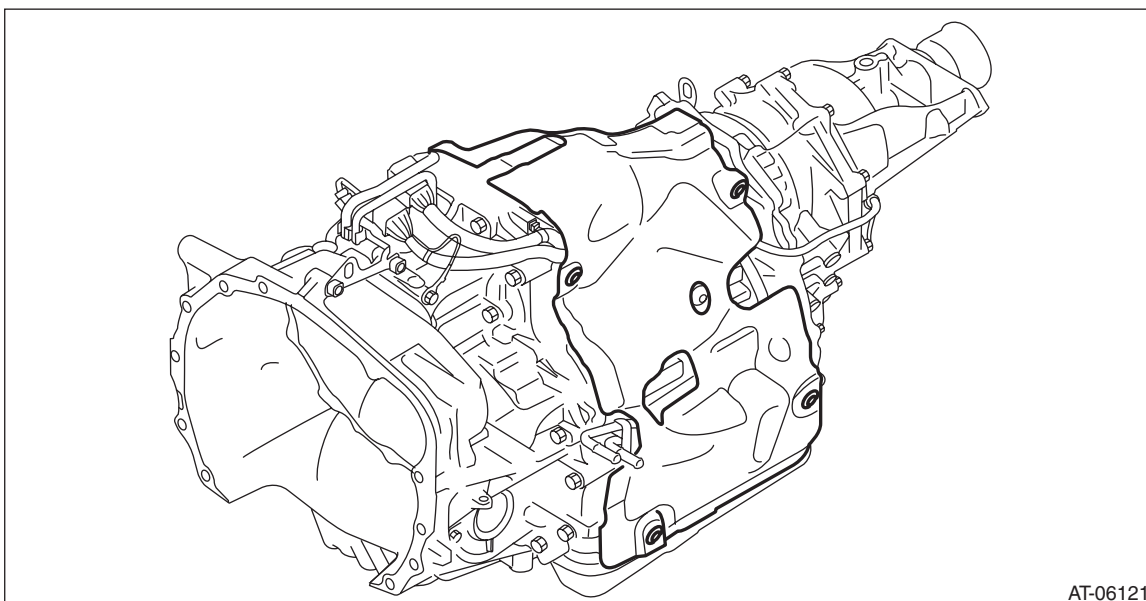
- 4) Remove the transmission cover on the transmission upper side.

NOTE:

Install using the following tightening torque.

Tightening torque:

8 N·m (0.8 kgf·m, 5.9 ft·lb)



- 5) Place the transmission assembly on end.