

Inhibitor Switch

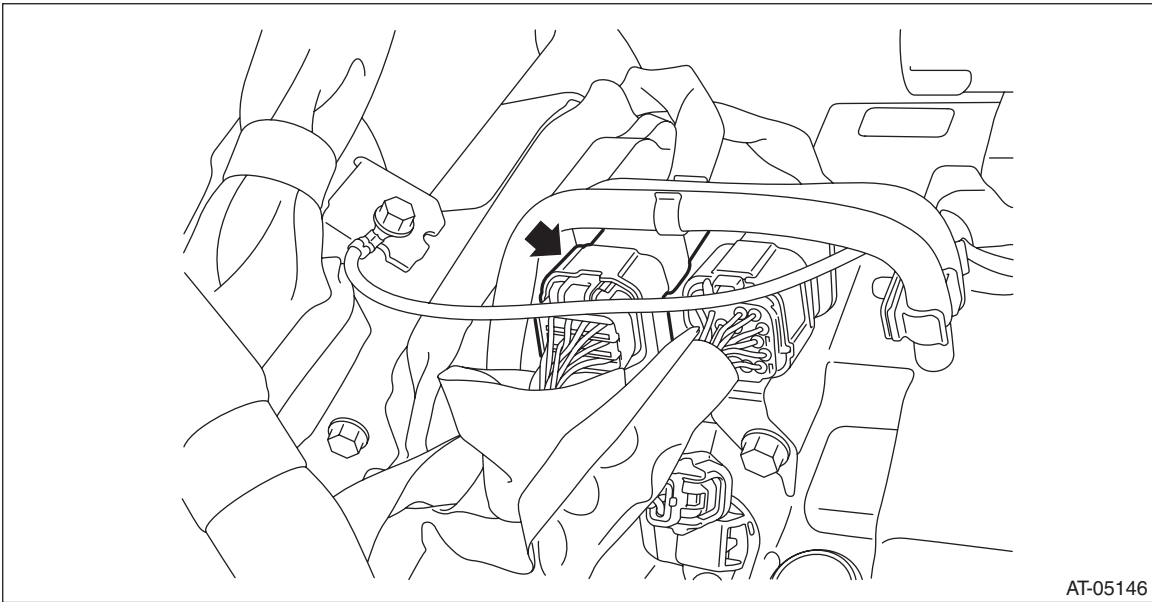
CONTINUOUSLY VARIABLE TRANSMISSION

15. Inhibitor Switch

A: INSPECTION

When the driving condition or starter motor operation is improper, first check the shift linkage for improper operation. If the shift linkage is functioning properly, check the inhibitor switch.

- 1) Remove the air intake boot assembly. <Ref. to IN(H4SO)-8, REMOVAL, Air Intake Boot.>
- 2) Disconnect the inhibitor harness connector.



AT-05146

Inhibitor Switch

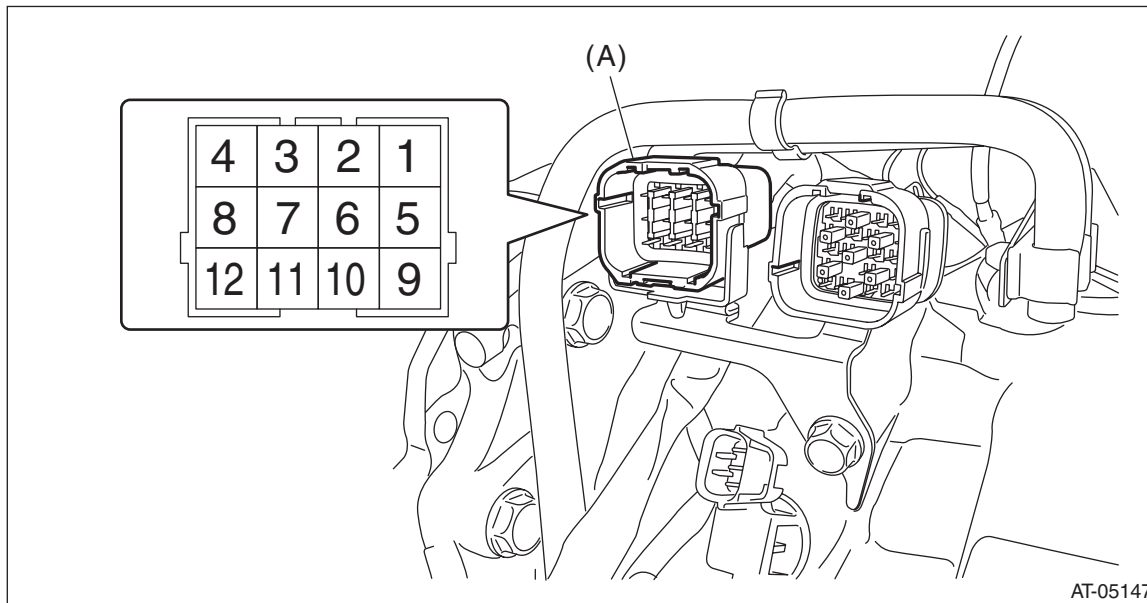
CONTINUOUSLY VARIABLE TRANSMISSION

3) Check for continuity in inhibitor switch circuit by shifting the select lever in “P”, “R”, “N” and “D” respectively.

NOTE:

- Check that there is no continuity in the ignition circuit when the select lever is in the “R” and “D” ranges.
- When inhibitor switch is normal, check there is no poor contact in vehicle side connector and no open circuit in harness.

	Range	Terminal No.
Signal sent to TCM	P	4 — 3
	R	4 — 2
	N	4 — 1
	D	4 — 8
Starter circuit	P/N	12 — 11
Back-up light circuit	R	10 — 9



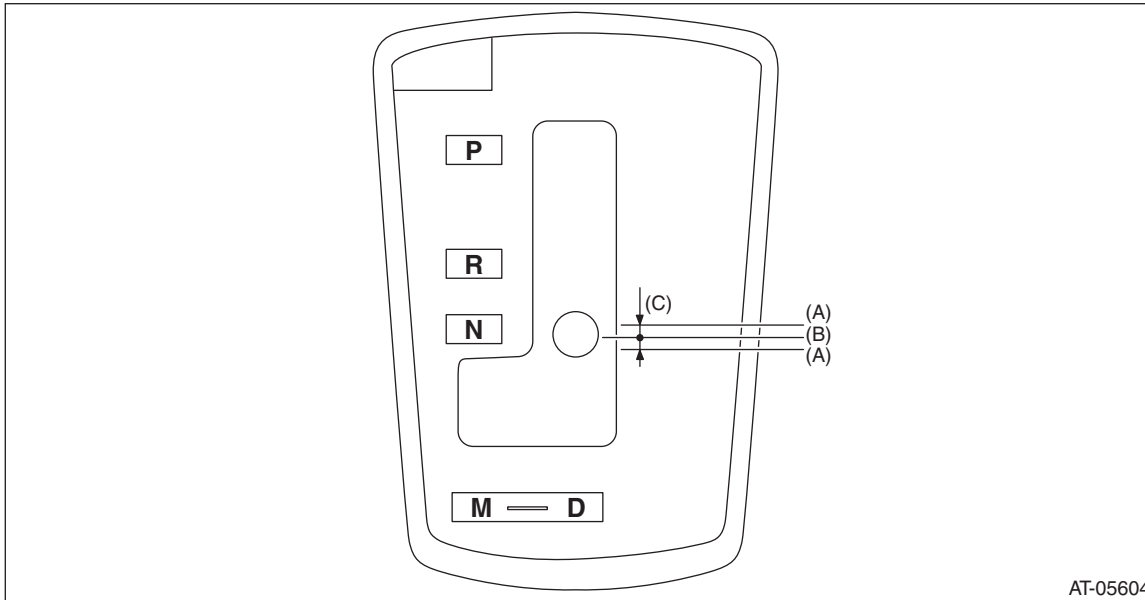
(A) Inhibitor harness connector

Inhibitor Switch

CONTINUOUSLY VARIABLE TRANSMISSION

4) Check that there is continuity at equal points when the select lever is tilted 1.5° in both directions from the "N" range.

If there is continuity in only one direction or in other points, adjust the inhibitor switch. <Ref. to CVT-96, ADJUSTMENT, Inhibitor Switch.>

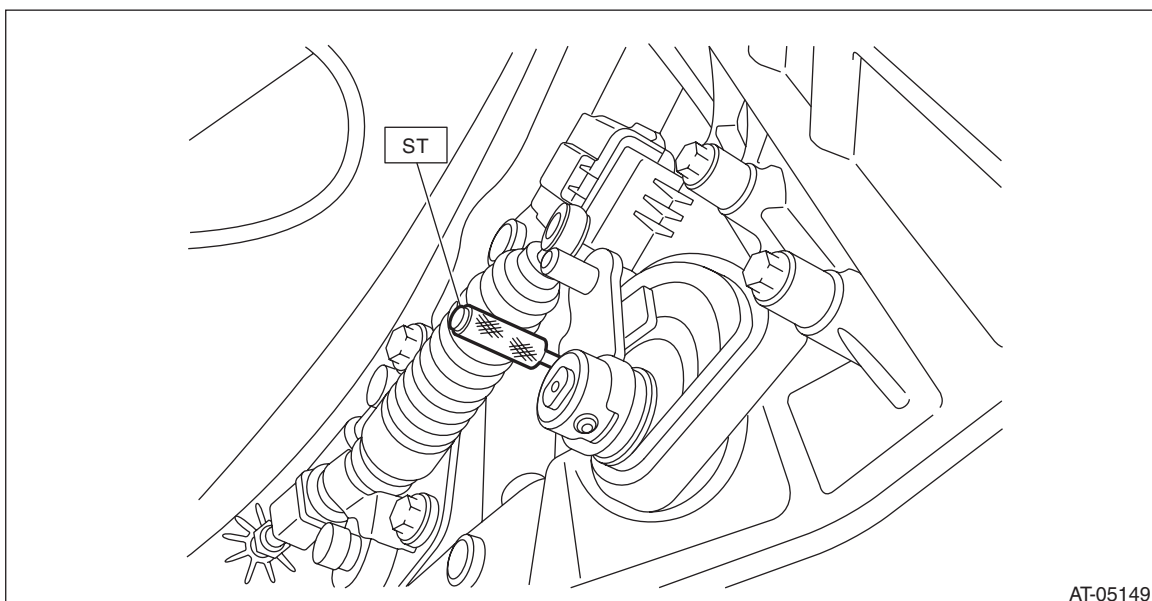


- (A) Continuity does not exist.
- (B) Continuity exists.
- (C) 1.5°

5) Repeat the above inspection in other gear ranges. If there is fault, adjust the inhibitor switch and select cable. <Ref. to CVT-96, ADJUSTMENT, Inhibitor Switch.> <Ref. to CS-49, ADJUSTMENT, Select Cable.>

B: ADJUSTMENT

- 1) Shift the select lever to "N" range.
 - 2) Loosen the two bolts holding the inhibitor switch.
 - 3) Insert the ST vertically into the holes of the shifter arm and switch body.
- ST 499267300 STOPPER PIN



Inhibitor Switch

CONTINUOUSLY VARIABLE TRANSMISSION

4) Tighten the two bolts holding the inhibitor switch.

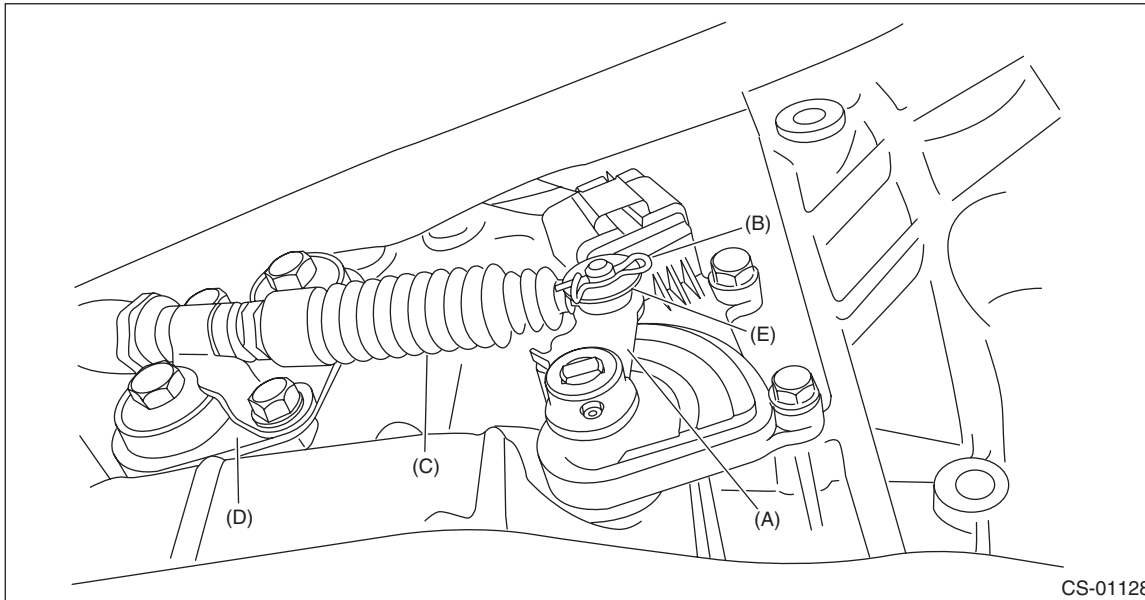
Tightening torque:

5 N·m (0.5 kgf·m, 3.7 ft·lb)

5) Repeat the inspection of the inhibitor switch. If the inhibitor switch is determined to be “faulty”, replace it.

C: REMOVAL

- 1) Shift the select lever to “N” range.
- 2) Disconnect the ground cable from battery.
- 3) Lift up the vehicle.
- 4) Remove the center exhaust pipe. <Ref. to EX(H4SO)-7, REMOVAL, Center Exhaust Pipe.>
- 5) Remove the snap pin and washer from the shifter arm.

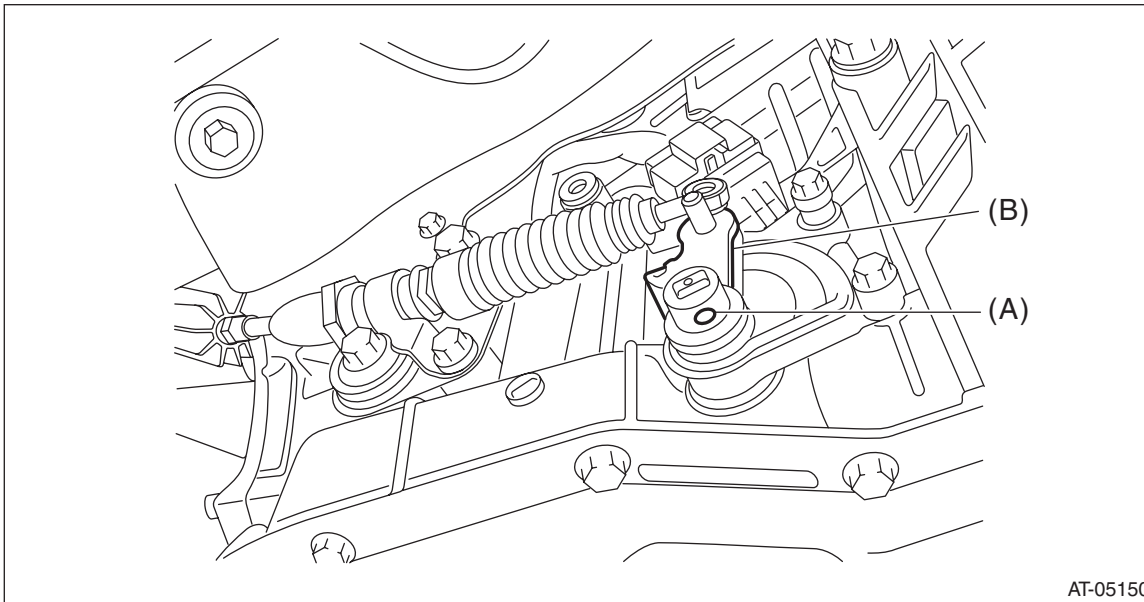


- (A) Shifter arm
- (B) Snap pin
- (C) Select cable
- (D) Plate ASSY
- (E) Washer

Inhibitor Switch

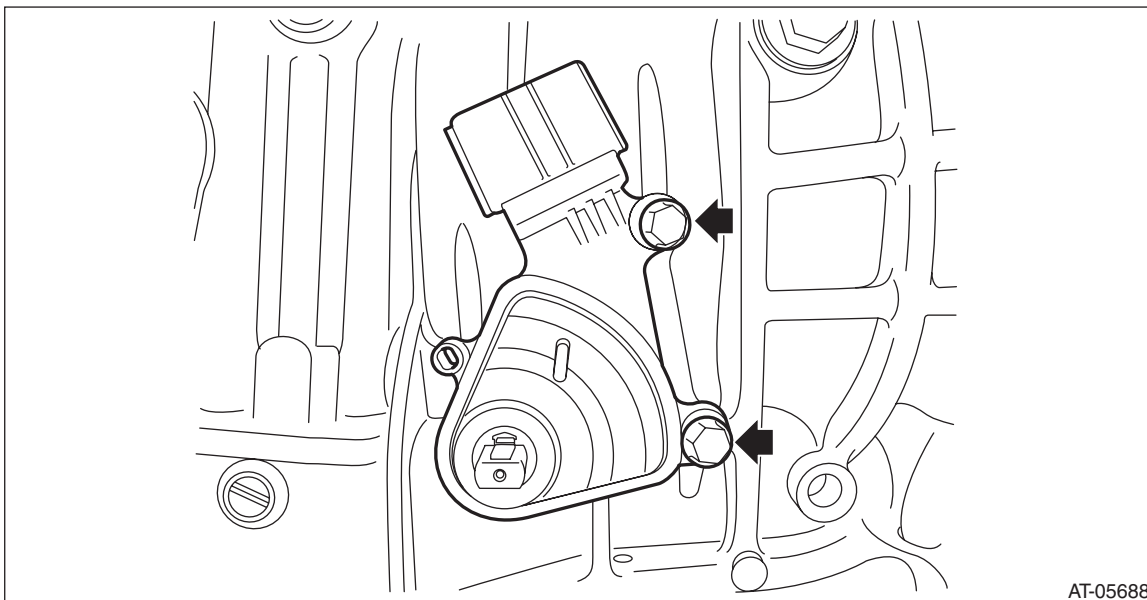
CONTINUOUSLY VARIABLE TRANSMISSION

- 6) Using the ST, remove the spring pin and shifter arm.
ST 398791600 REMOVER



- (A) Spring pin
(B) Shifter arm

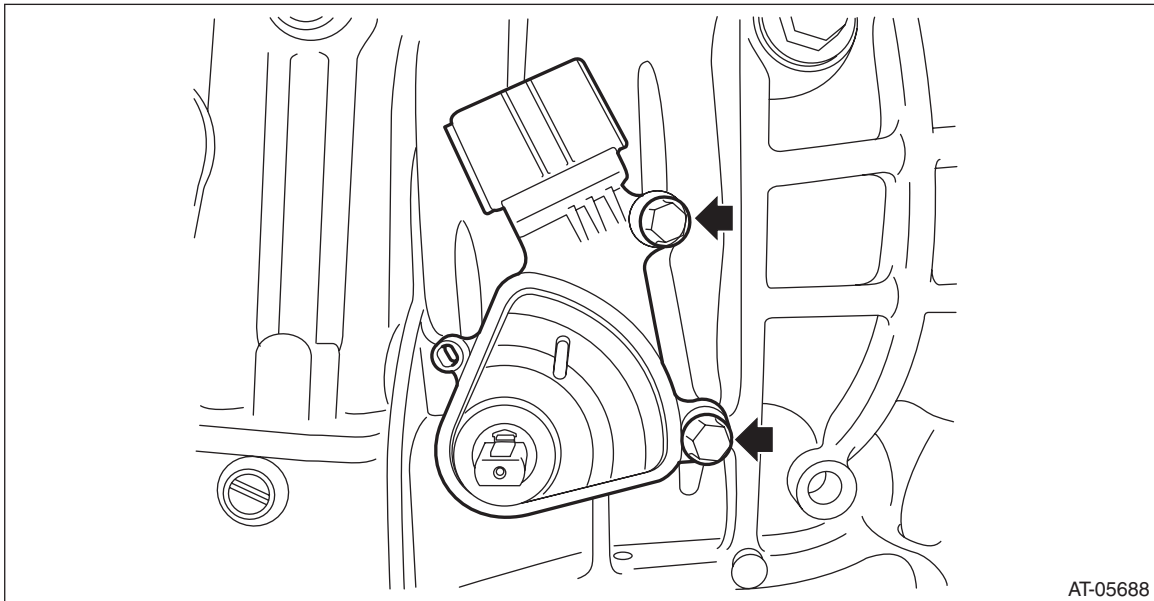
- 7) Remove the inhibitor harness connector from inhibitor switch.
8) Remove the two inhibitor switch securing bolts.



- 9) Remove the inhibitor switch from the transmission case.

D: INSTALLATION

1) Install the inhibitor switch to the transmission case temporarily.

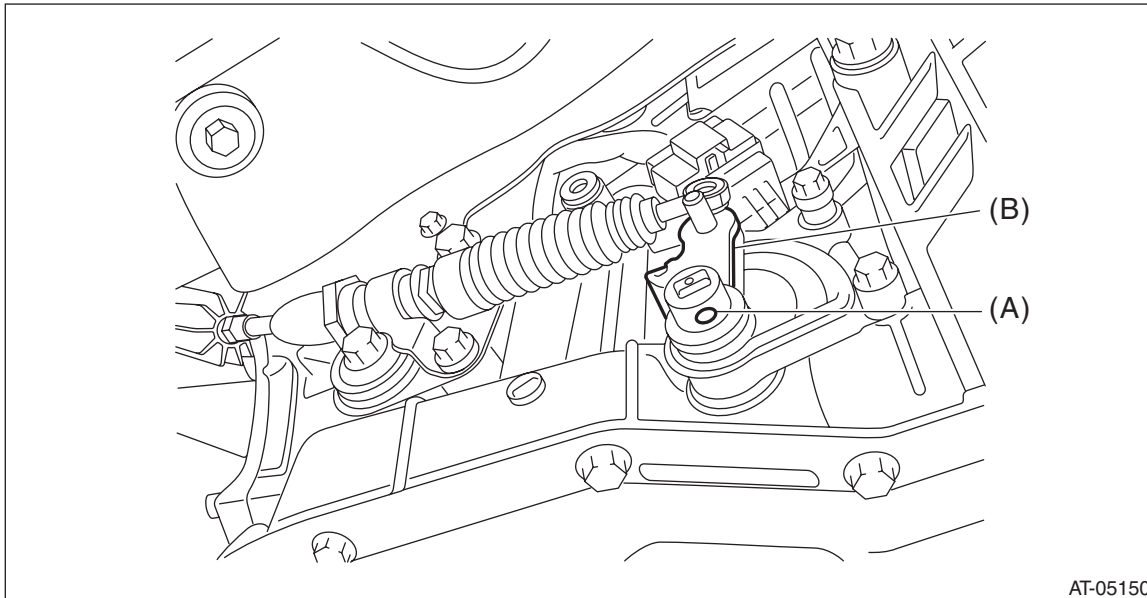


2) Connect the inhibitor harness connector to the inhibitor switch.

3) Install the shifter arm and fix with the spring pin.

NOTE:

Use new spring pin.



(A) Spring pin

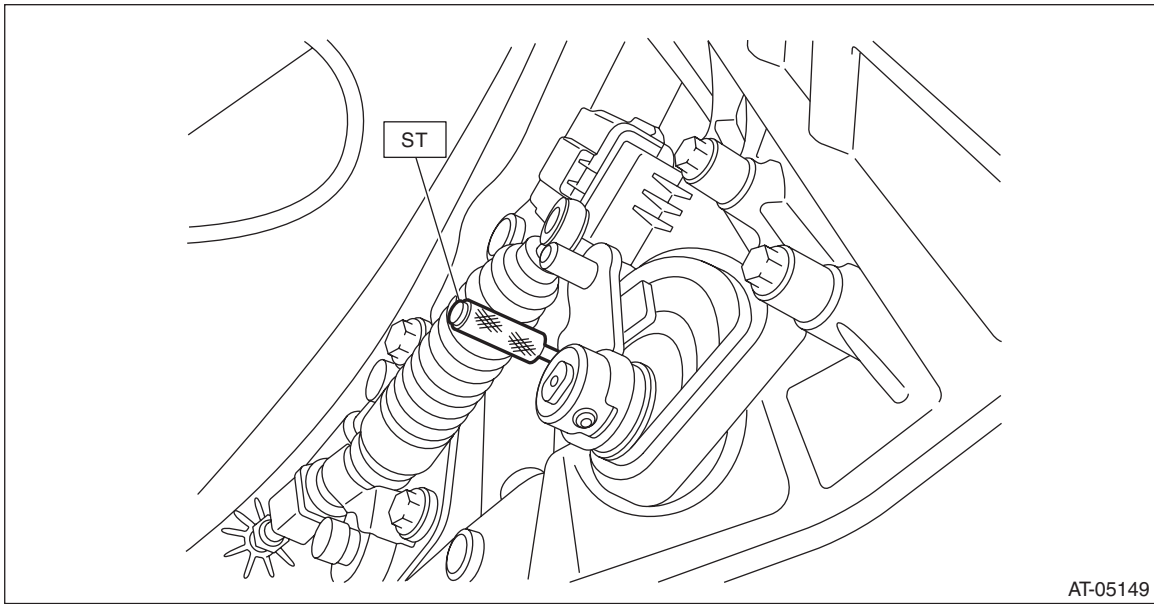
(B) Shifter arm

4) Shift the shifter arm to "N" range.

Inhibitor Switch

CONTINUOUSLY VARIABLE TRANSMISSION

- 5) Install the ST vertically in the cutout of shifter arm and the hole of switch body.
ST 499267300 STOPPER PIN

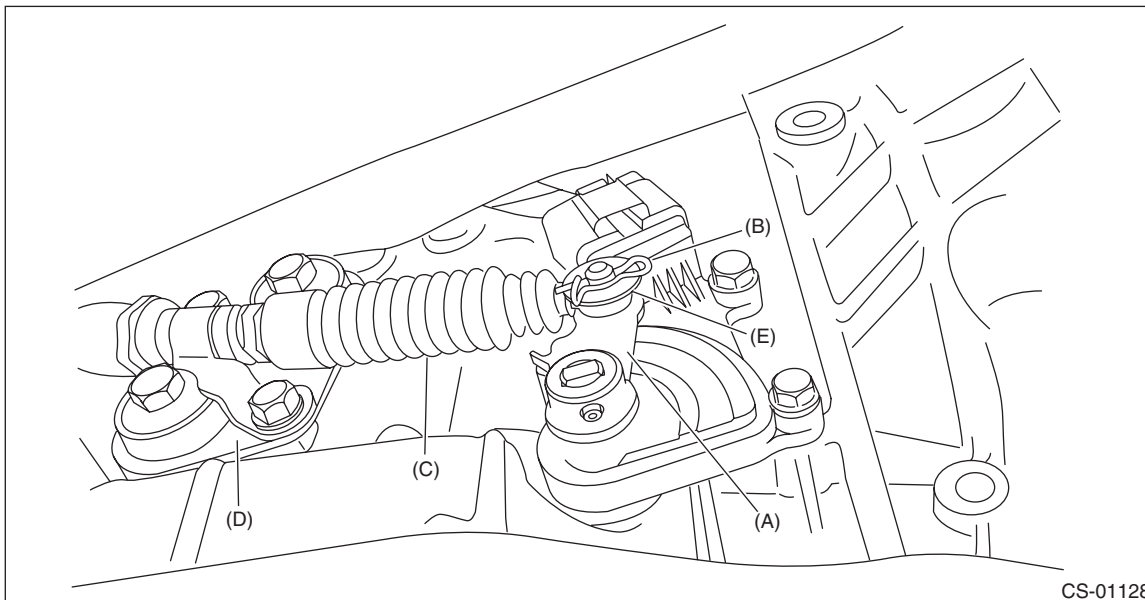


- 6) Tighten the two bolts holding the inhibitor switch.

Tightening torque:

5 N·m (0.5 kgf·m, 3.7 ft·lb)

- 7) Install the select cable to the shifter arm.
8) Install the washer and snap pin to the shifter arm.



- (A) Shifter arm
- (B) Snap pin
- (C) Select cable
- (D) Plate ASSY
- (E) Washer

- 9) Install the center exhaust pipe. <Ref. to EX(H4SO)-7, INSTALLATION, Center Exhaust Pipe.>
10) Lower the vehicle.
11) Connect the battery ground terminal.
12) Check the inhibitor switch. <Ref. to CVT-94, INSPECTION, Inhibitor Switch.>