

# Differential Side Retainer Oil Seal

CONTINUOUSLY VARIABLE TRANSMISSION

## 14. Differential Side Retainer Oil Seal

### A: INSPECTION

Check for leakage of gear oil from differential side retainer oil seal part. If there is an oil leak, inspect the front drive shaft and replace the oil seal.

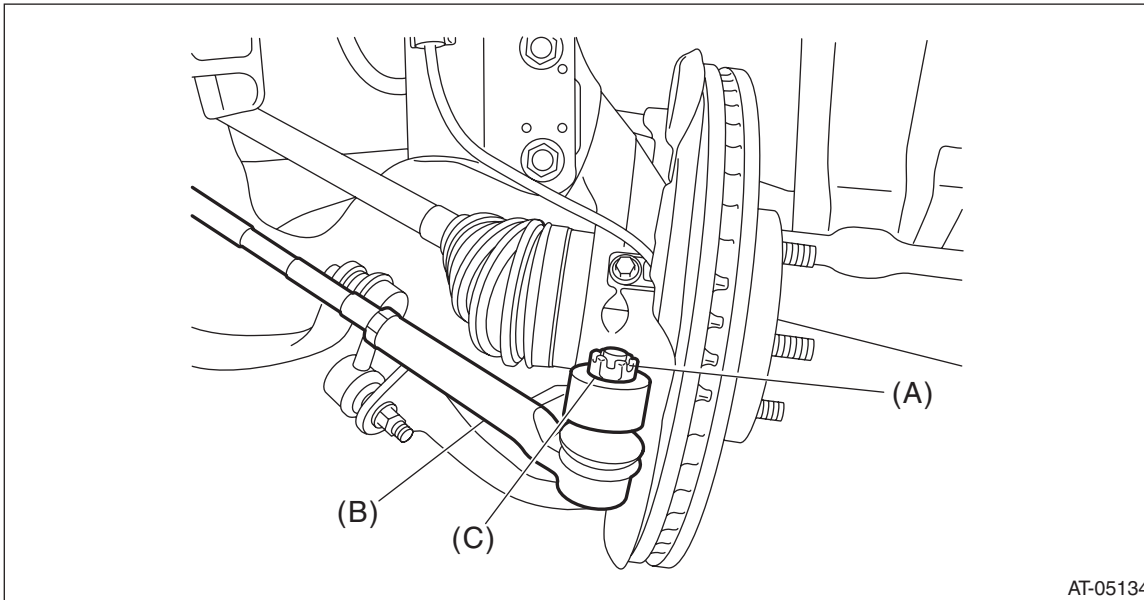
### B: REPLACEMENT

#### CAUTION:

- Immediately after the vehicle has been running or after idling for a long time, the differential gear oil will be hot. Be careful not to burn yourself.
- Be careful not to spill the differential gear oil on exhaust pipe to prevent it from emitting smoke or fire. If differential gear oil is spilled on the exhaust pipe, wipe it off completely.

1) Lift up the vehicle, and remove the front wheels.

2) After pulling off the cotter pin and removing the castle nut, use a puller to remove the tie-rod end from the knuckle arm.



- (A) Cotter pin
- (B) Tie-rod end
- (C) Castle nut

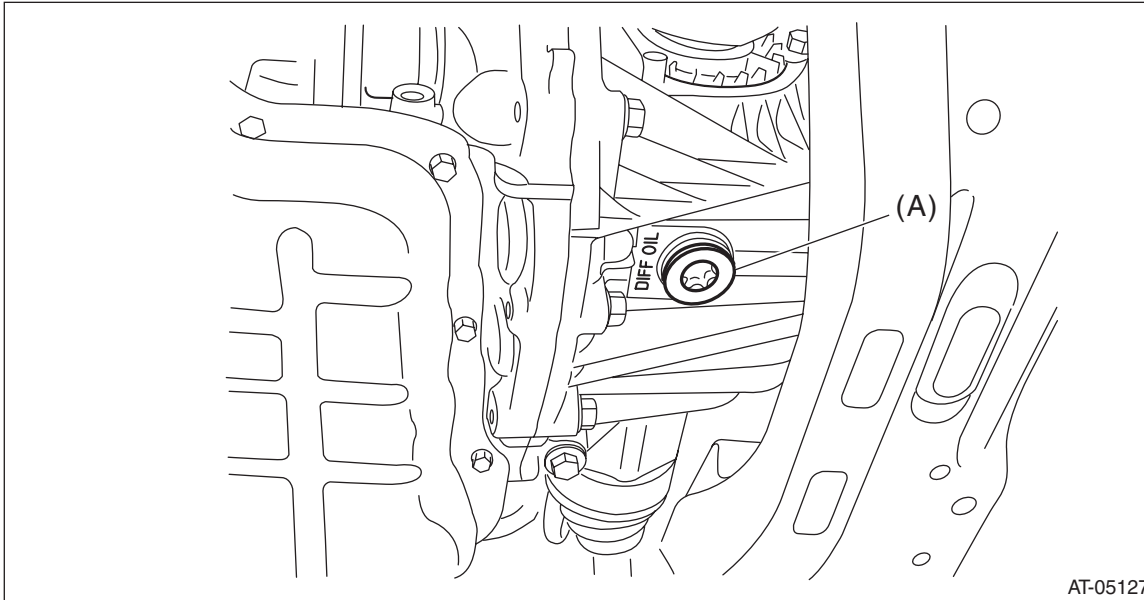
3) Lift up the vehicle.

4) Remove the center exhaust pipe. <Ref. to EX(H4SO)-7, REMOVAL, Center Exhaust Pipe.>

## Differential Side Retainer Oil Seal

CONTINUOUSLY VARIABLE TRANSMISSION

- 5) Remove the differential gear oil drain plug using TORX® bit T70, and then drain differential gear oil.



(A) Differential gear oil drain plug

- 6) Tighten the differential gear oil drain plug.

NOTE:

Use a new gasket.

**Tightening torque:**

**70 N·m (7.1 kgf·m, 51.6 ft·lb)**

- 7) Remove the stabilizer link. <Ref. to FS-28, REMOVAL, Front Stabilizer.>  
8) Disconnect the ball joint and housing.  
9) Holding the joint of front drive shaft from transmission side, pull out the drive shaft from transmission with care not to stretch the boot.  
10) Remove the differential side retainer oil seal using driver wrapped with vinyl tape etc.

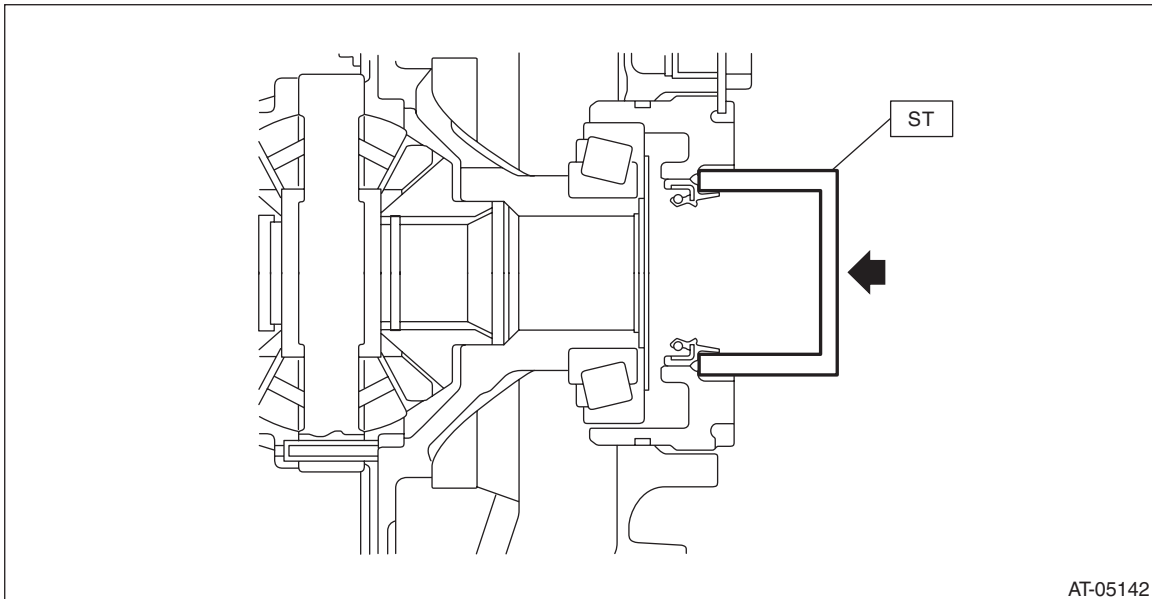
## Differential Side Retainer Oil Seal

### CONTINUOUSLY VARIABLE TRANSMISSION

11) Using the ST, install the differential side retainer oil seal by lightly tapping with a hammer.  
ST 18675AA000 DIFFERENTIAL SIDE OIL SEAL INSTALLER

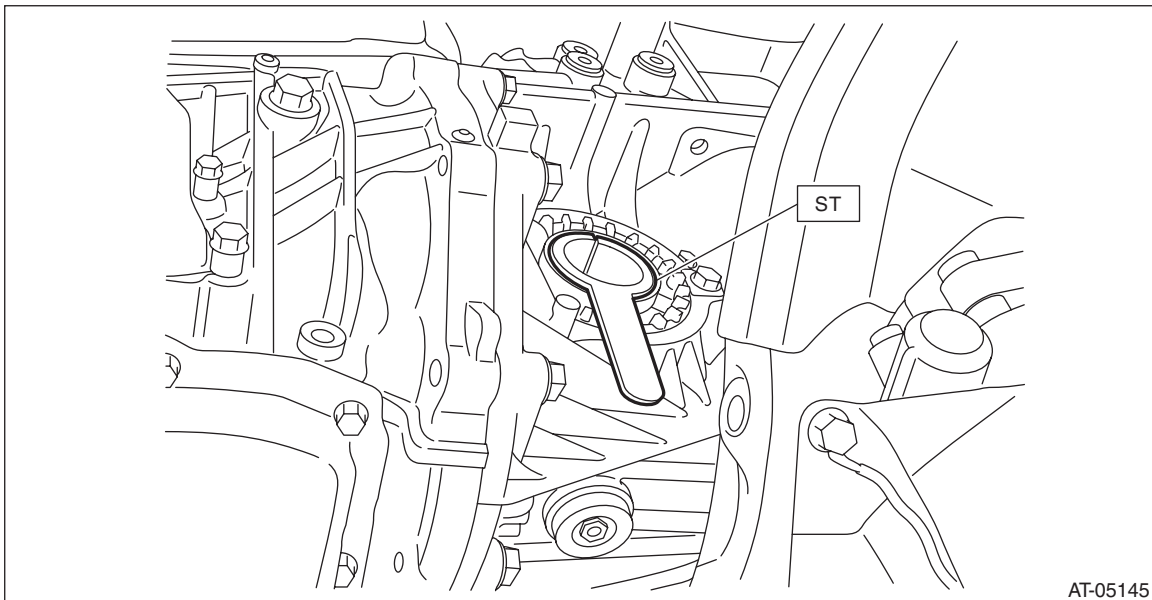
#### NOTE:

- Apply differential gear oil to the oil seal lips.
- Oil seal has an identification mark (R, L). When installing oil seals, do not confuse the left and right.



AT-05142

12) Set the ST to side retainer.  
ST 28399SA010 OIL SEAL PROTECTOR



AT-05145

- 13) Replace the circlip of the drive shaft with a new part.  
14) Insert the front drive shaft spline section into transmission and remove the ST (DIFFERENTIAL SIDE OIL SEAL INSTALLER).  
15) Insert the drive shaft into the transmission securely by pressing the housing from outside of the vehicle.

# Differential Side Retainer Oil Seal

CONTINUOUSLY VARIABLE TRANSMISSION

16) Insert the ball joint into housing and secure with bolt.

**Tightening torque:**

**50 N·m (5.1 kgf·m, 36.9 ft·lb)**

**CAUTION:**

- Do not apply grease to the tapered portion of ball stud.
- Before tightening, make sure the lower side of housing and stepped section of ball joint are in contact.

17) Install the stabilizer link.

**Tightening torque:**

**60 N·m (6.1 kgf·m, 44.3 ft·lb)**

18) Install the center exhaust pipe. <Ref. to EX(H4SO)-7, INSTALLATION, Center Exhaust Pipe.>

19) Lower the vehicle.

20) Connect the tie-rod end and knuckle arm, and attach the castle nut.

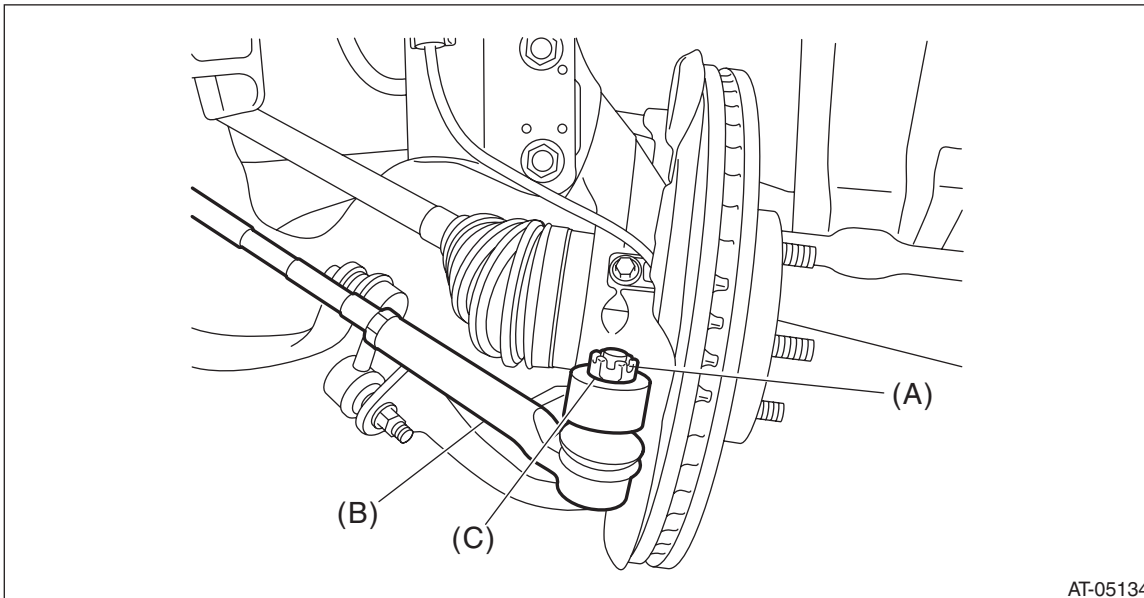
**Tightening torque:**

**27 N·m (2.75 kgf·m, 19.9 ft·lb)**

**CAUTION:**

**When connecting, do not hit the cap at the bottom of tie-rod end with hammer.**

21) After tightening the castle nut to the specified tightening torque, tighten it further within 60° until the cotter pin hole is aligned with slot in the nut. Fit the cotter pin into the nut, and then bend the pin to lock.



- (A) Cotter pin
- (B) Tie-rod end
- (C) Castle nut

22) Refill differential gear oil from the charge pipe. <Ref. to CVT-41, Differential Gear Oil.>

23) Adjust the level of differential gear oil. <Ref. to CVT-41, ADJUSTMENT, Differential Gear Oil.>

24) Install the front wheels.