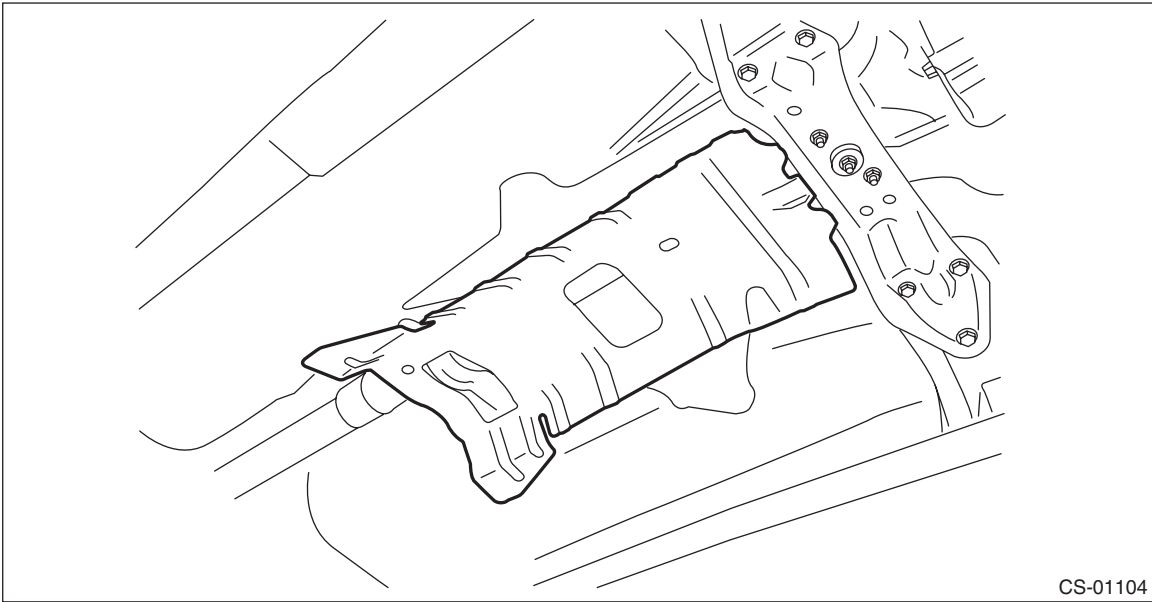


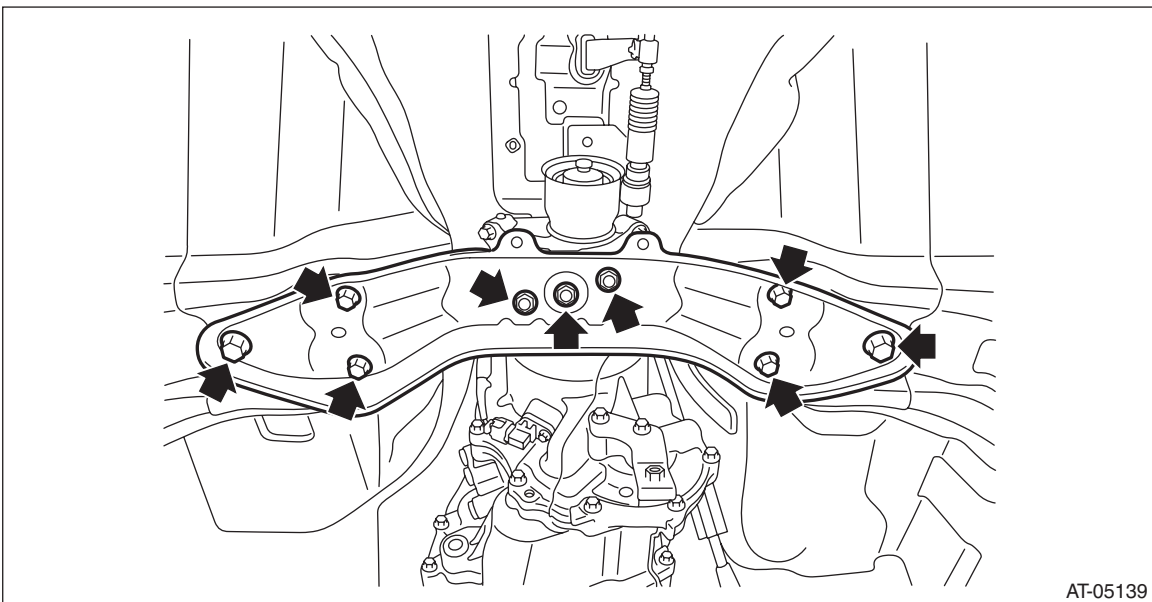
## 12. Transmission Mounting System

### A: REMOVAL

- 1) Disconnect the ground cable from battery.
- 2) Lift up the vehicle.
- 3) Remove the center exhaust pipe. <Ref. to EX(H4SO)-7, REMOVAL, Center Exhaust Pipe.>
- 4) Remove the heat shield cover.



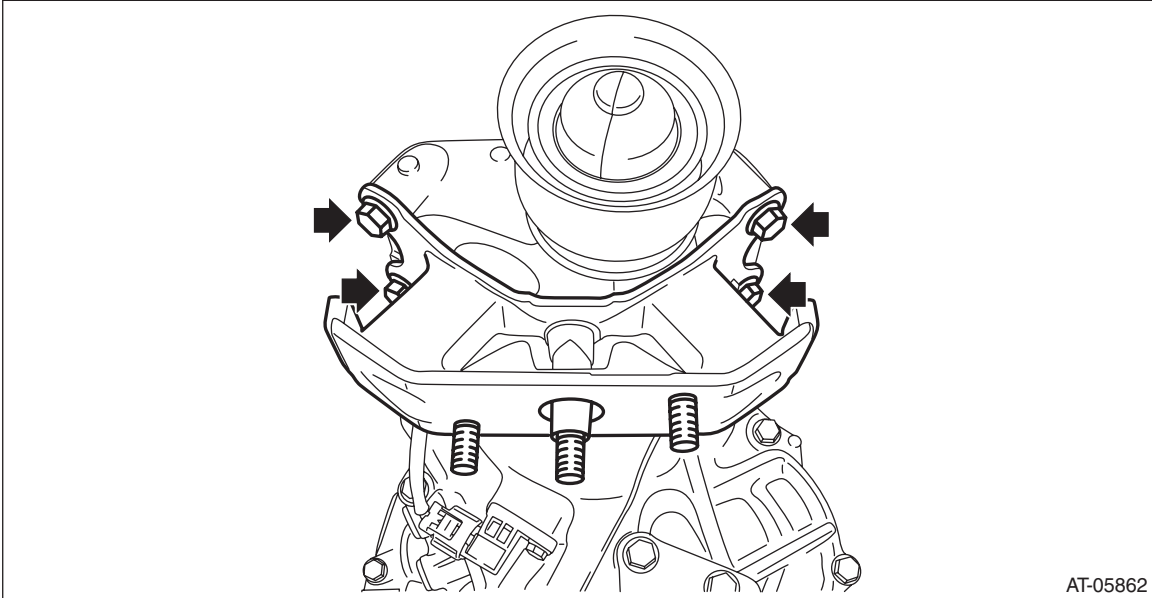
- 5) Set the transmission jack under the transmission. Make sure that the support plate of transmission jack does not touch the oil pan.
- 6) Remove the transmission rear crossmember.



# Transmission Mounting System

CONTINUOUSLY VARIABLE TRANSMISSION

7) Remove the rear cushion rubber.

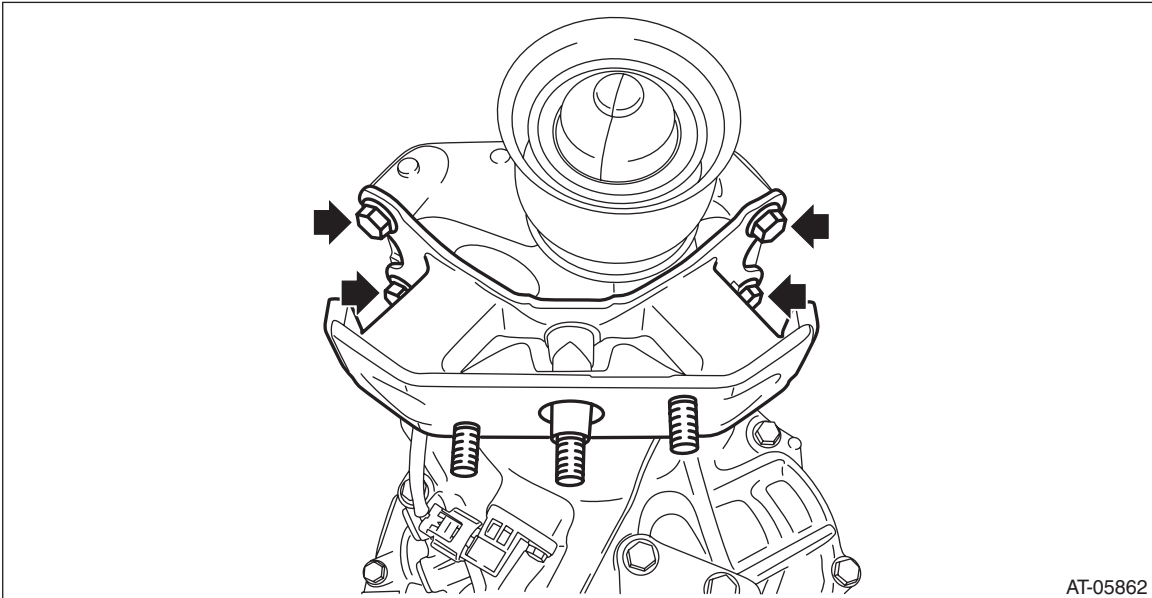


## B: INSTALLATION

1) Attach the rear cushion rubber to the transmission.

**Tightening torque:**

**40 N·m (4.1 kgf·m, 29.5 ft·lb)**



# Transmission Mounting System

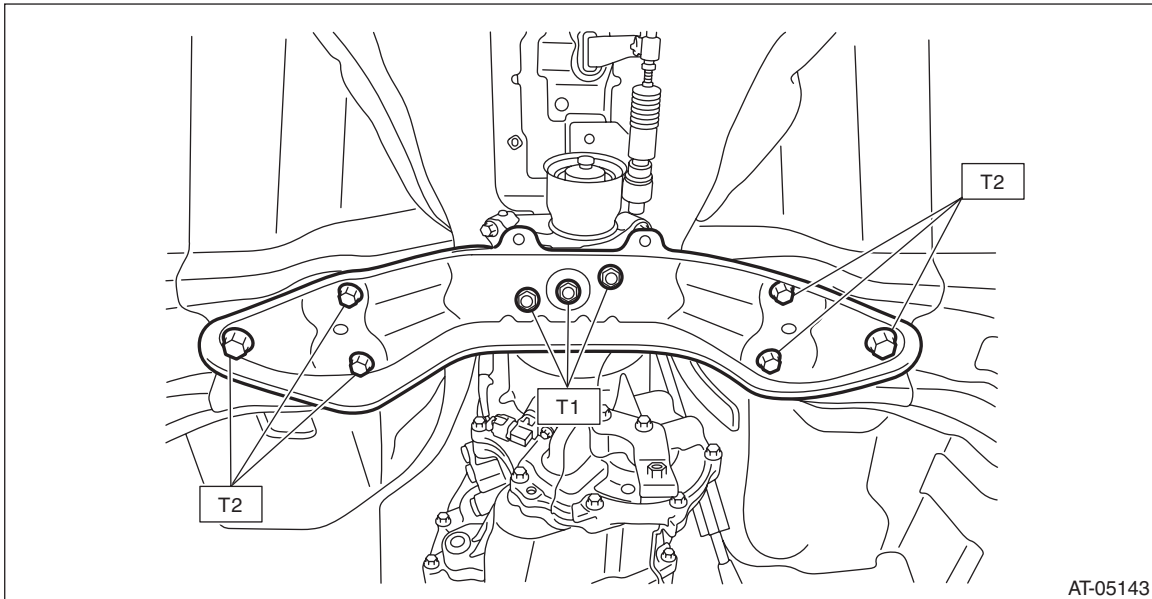
CONTINUOUSLY VARIABLE TRANSMISSION

2) Install the crossmember.

**Tightening torque:**

**T1: 35 N·m (3.6 kgf-m, 25.8 ft-lb)**

**T2: 75 N·m (7.6 kgf-m, 55.3 ft-lb)**



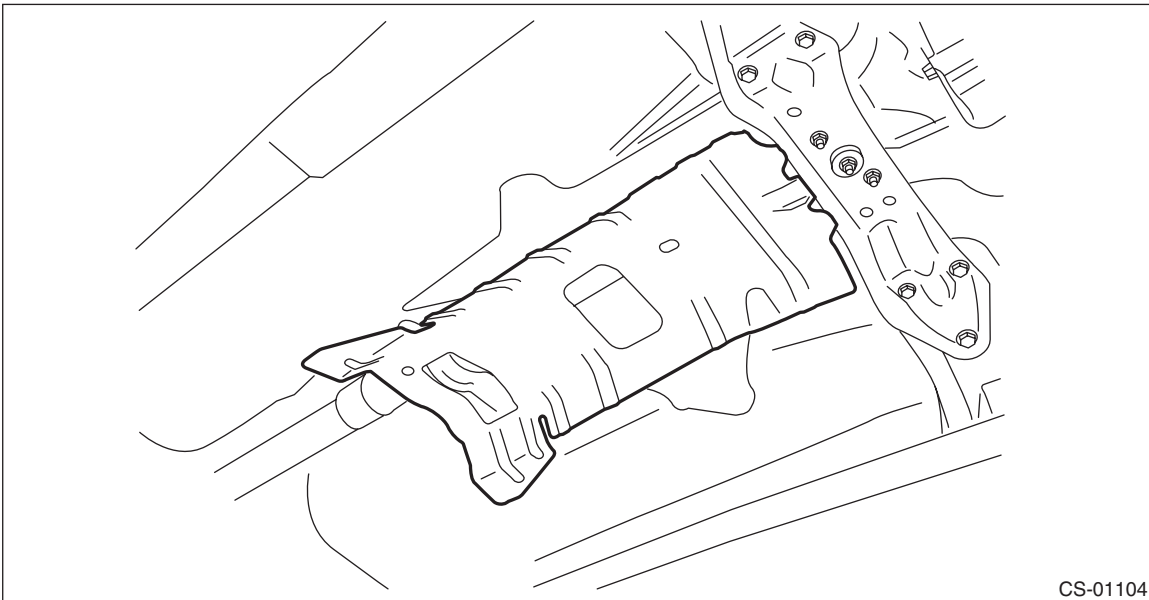
AT-05143

3) Remove the transmission jack.

4) Install the heat shield cover.

**Tightening torque:**

**18 N·m (1.8 kgf-m, 13.3 ft-lb)**



CS-01104

5) Install the center exhaust pipe. <Ref. to EX(H4SO)-7, INSTALLATION, Center Exhaust Pipe.>

6) Connect the battery ground terminal.

## C: INSPECTION

- Check the crossmember for bends or damage.
- Check that the cushion rubber is not stiff, cracked or otherwise damaged.