

Front Exhaust Pipe

EXHAUST

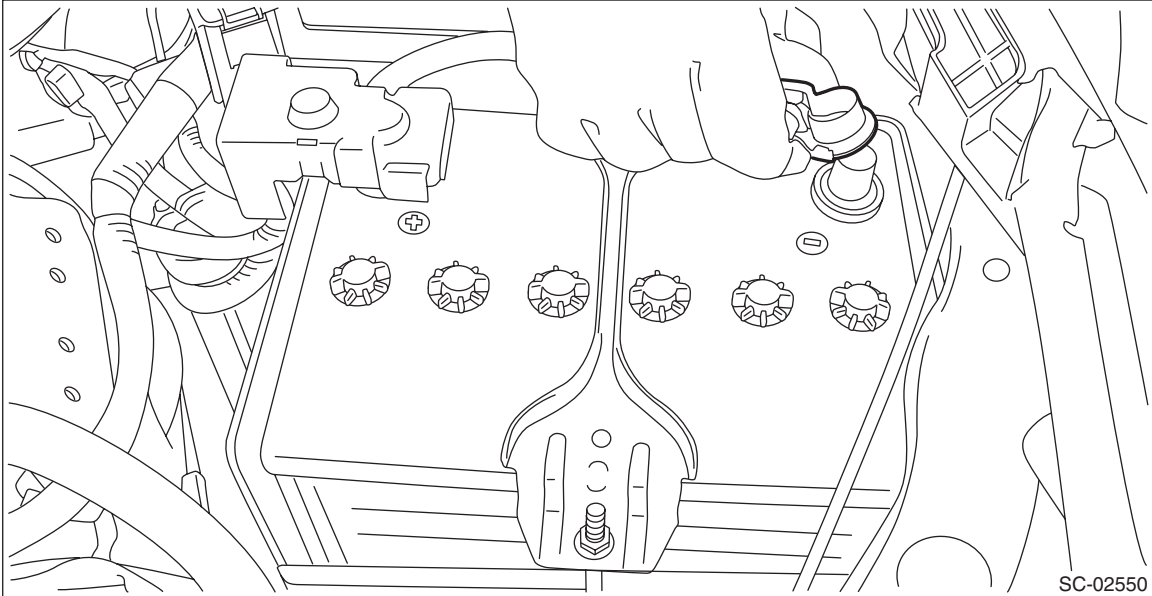
2. Front Exhaust Pipe

A: REMOVAL

CAUTION:

Vehicle components are extremely hot after driving. Be wary of receiving burns from heated parts.

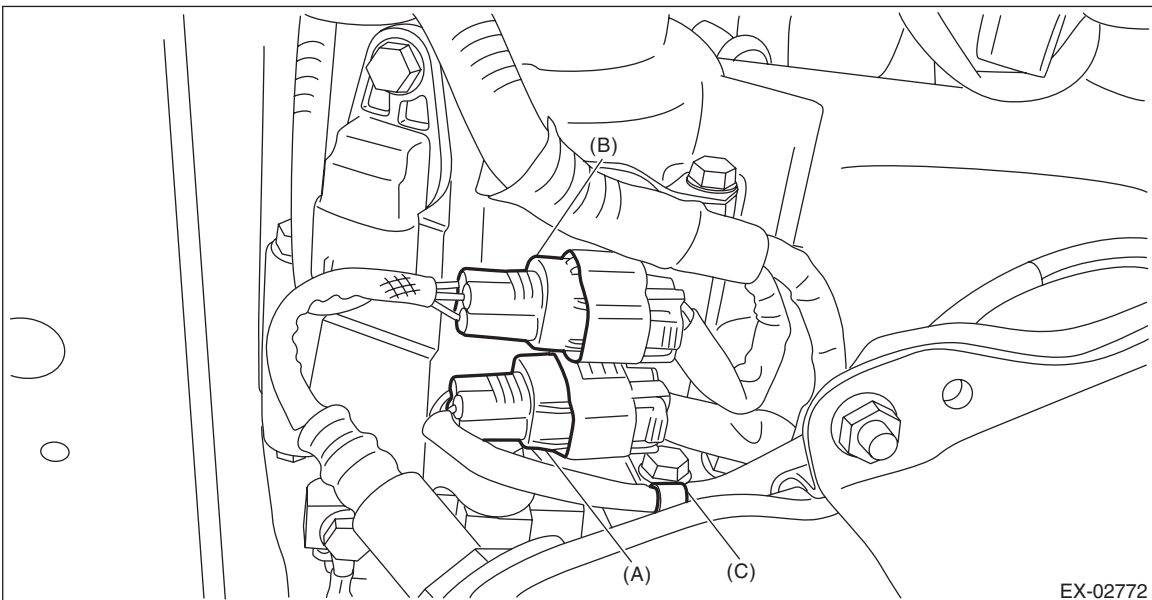
1) Disconnect the ground cable from battery.



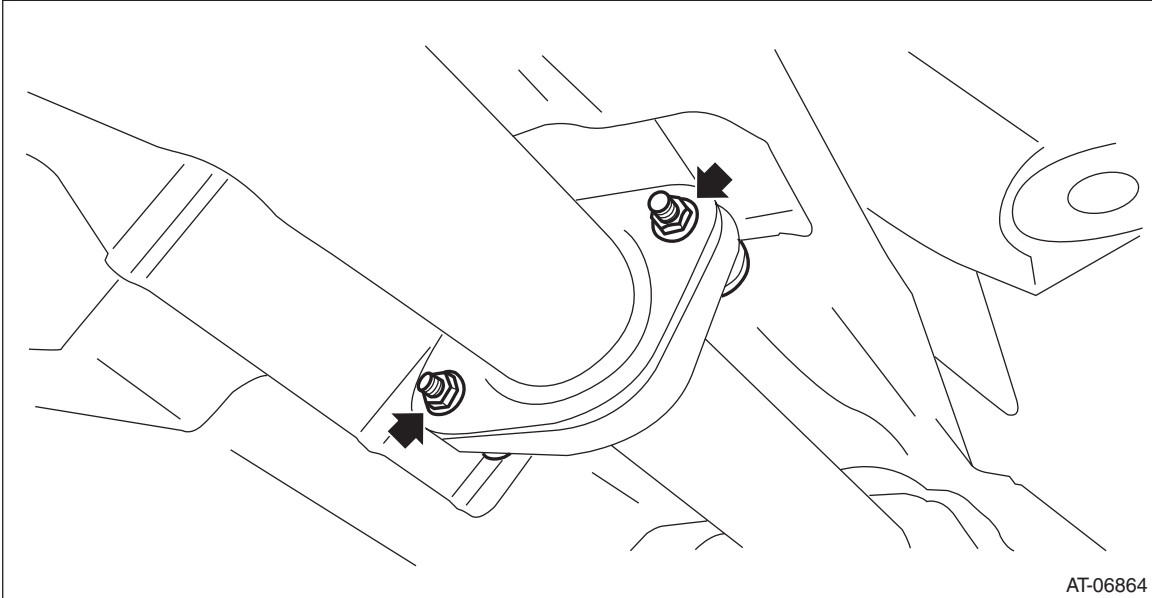
2) Lift up the vehicle.

3) Remove the under cover. <Ref. to EI-25, REMOVAL, Front Under Cover.>

4) Disconnect the front oxygen (A/F) sensor connector (A) and rear oxygen sensor connector (B) and remove the clip (C) fastening the harness.



5) Remove the rear exhaust pipe from center exhaust pipe.

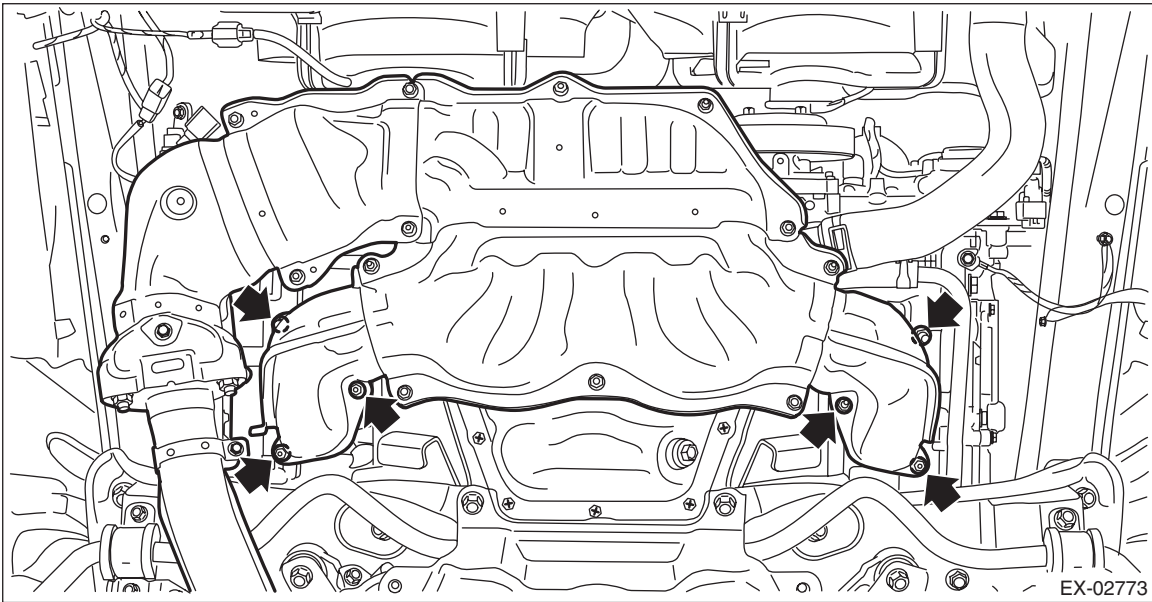


AT-06864

6) Remove the nuts which hold front exhaust pipe onto cylinder heads.

CAUTION:

Be careful not to drop the front exhaust pipe and center exhaust pipe assembly.

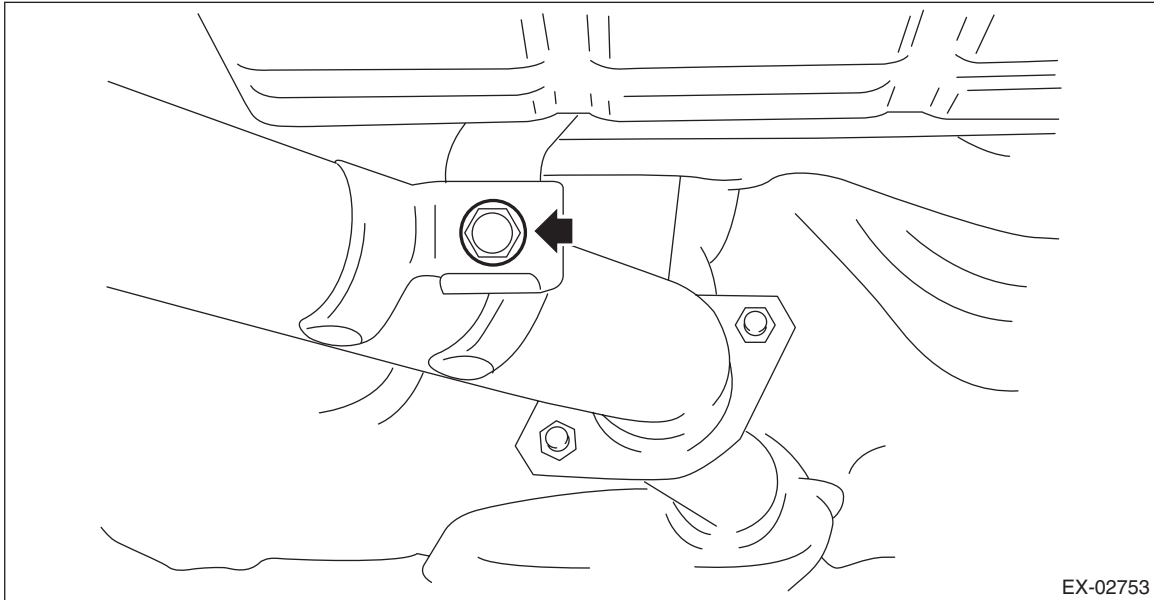


EX-02773

Front Exhaust Pipe

EXHAUST

7) Remove the bolt which holds center exhaust pipe to hanger bracket.

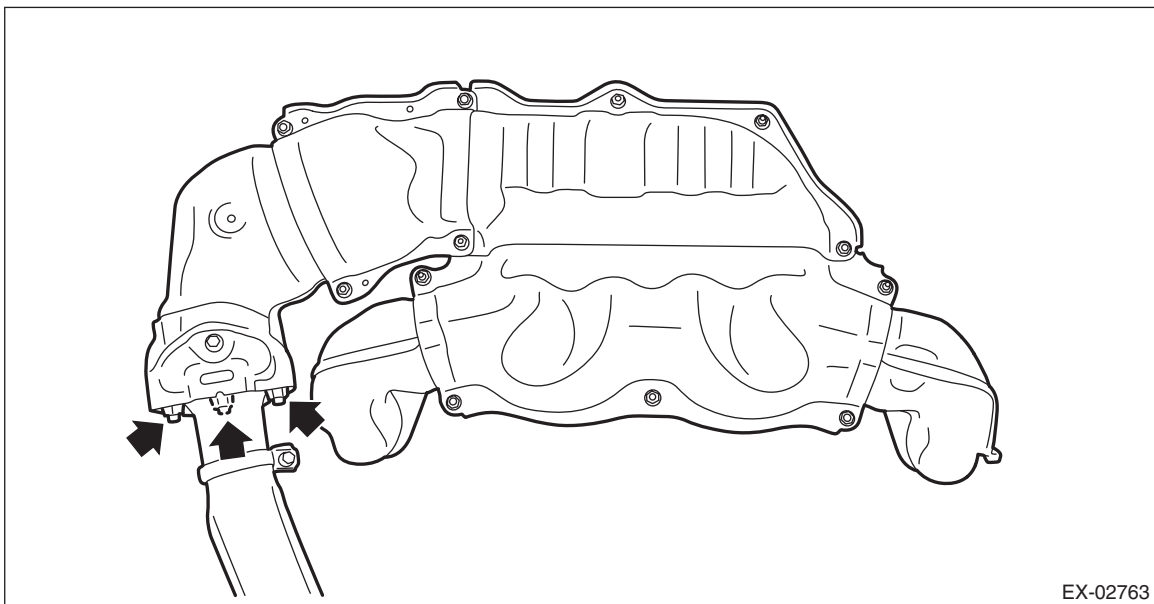


8) Remove the front exhaust pipe and center exhaust pipe from vehicle as a unit.

CAUTION:

- The front exhaust pipe and center exhaust pipe assembly are very heavy. Be careful not to drop the exhaust pipes when removing.
- After removing the front exhaust pipe and center exhaust pipe assembly, do not pull the rear exhaust pipe with excessive force.

9) Remove the center exhaust pipe from the front exhaust pipe.



10) Remove the front oxygen (A/F) sensor and rear oxygen sensor from front exhaust pipe. <Ref. to FU(H4DO)-93, REMOVAL, Front Oxygen (A/F) Sensor.> <Ref. to FU(H4DO)-97, REMOVAL, Rear Oxygen Sensor.>

B: INSTALLATION

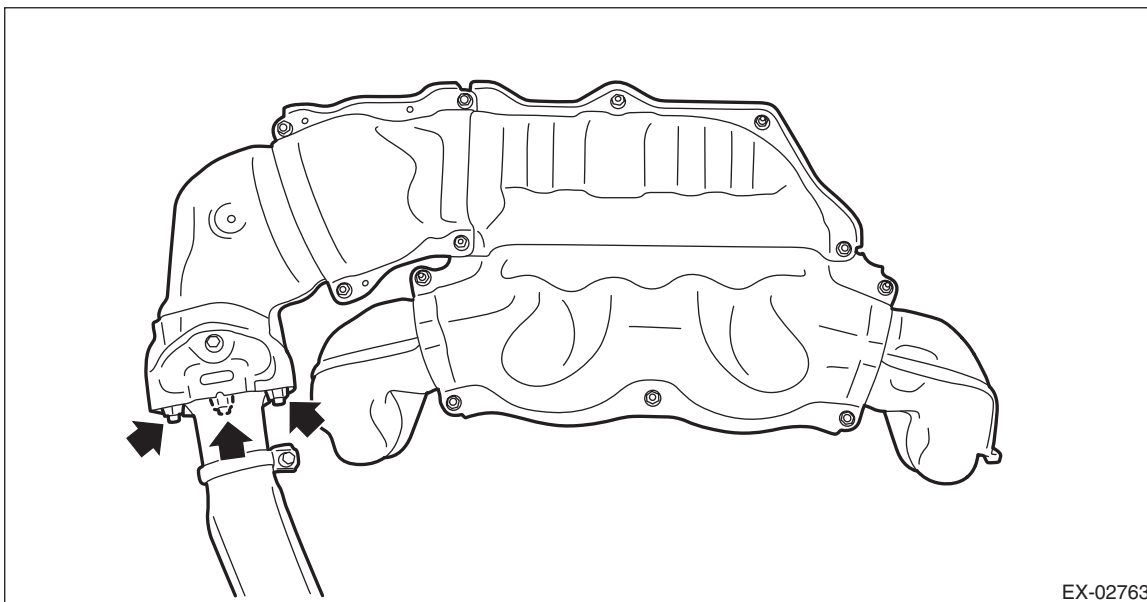
- 1) Install the front oxygen (A/F) sensor and rear oxygen sensor to the front exhaust pipe. <Ref. to FU(H4DO)-94, INSTALLATION, Front Oxygen (A/F) Sensor.> <Ref. to FU(H4DO)-98, INSTALLATION, Rear Oxygen Sensor.>
- 2) Install the center exhaust pipe to front exhaust pipe.

NOTE:

Use a new gasket.

Tightening torque:

35 N·m (3.6 kgf·m, 25.8 ft·lb)

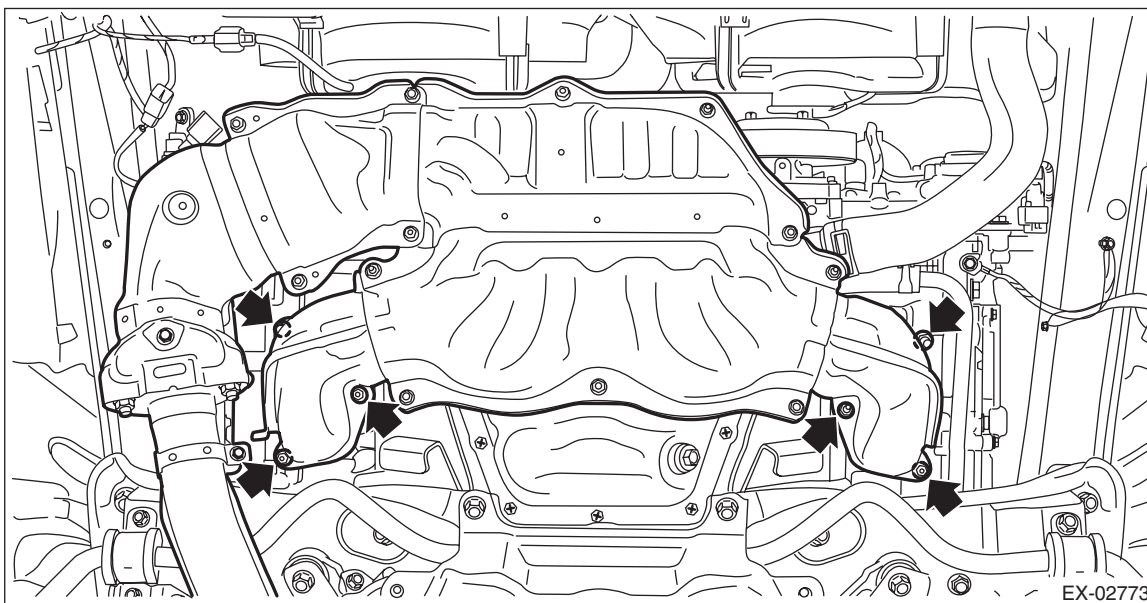


- 3) Install the front exhaust pipe and center exhaust pipe as a unit to the vehicle.

NOTE:

Use a new gasket.

- 4) Temporarily tighten the nuts which hold front exhaust pipe to cylinder heads.



Front Exhaust Pipe

EXHAUST

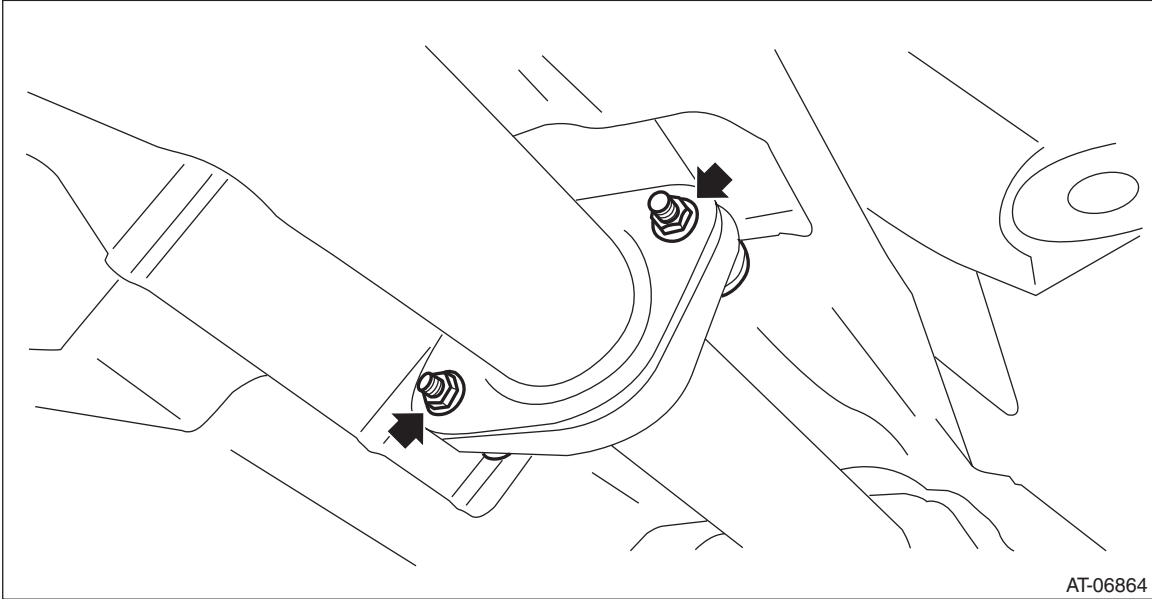
5) Install the rear exhaust pipe to center exhaust pipe.

NOTE:

Use a new gasket.

Tightening torque:

18 N·m (1.8 kgf·m, 13.3 ft·lb)

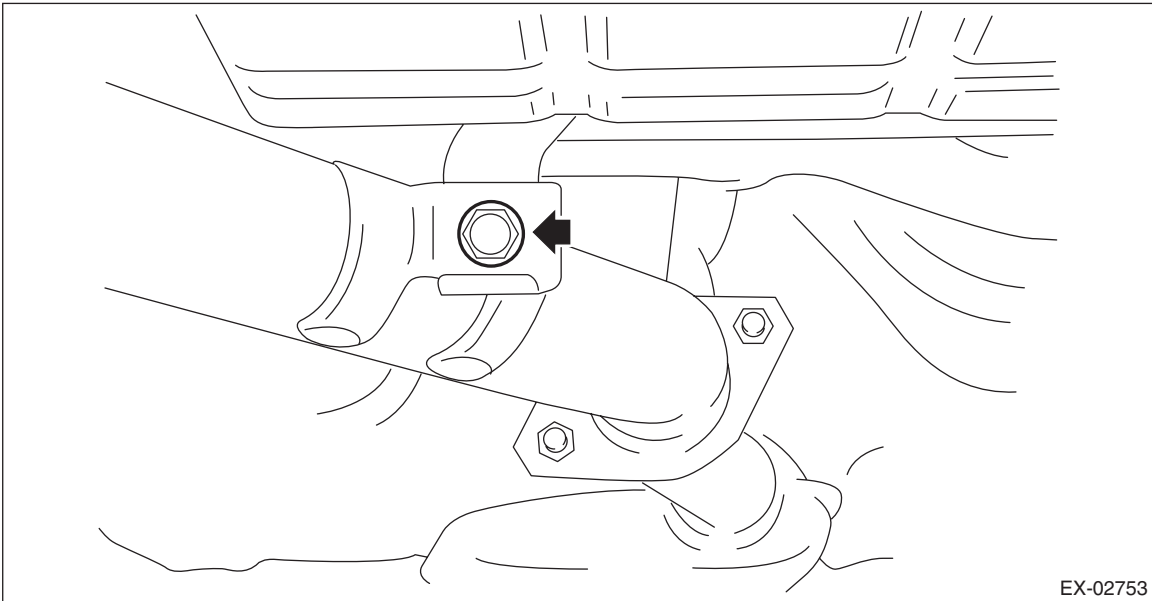


AT-06864

6) Tighten the bolts which secure the center exhaust pipe to the hanger bracket.

Tightening torque:

35 N·m (3.6 kgf·m, 25.8 ft·lb)

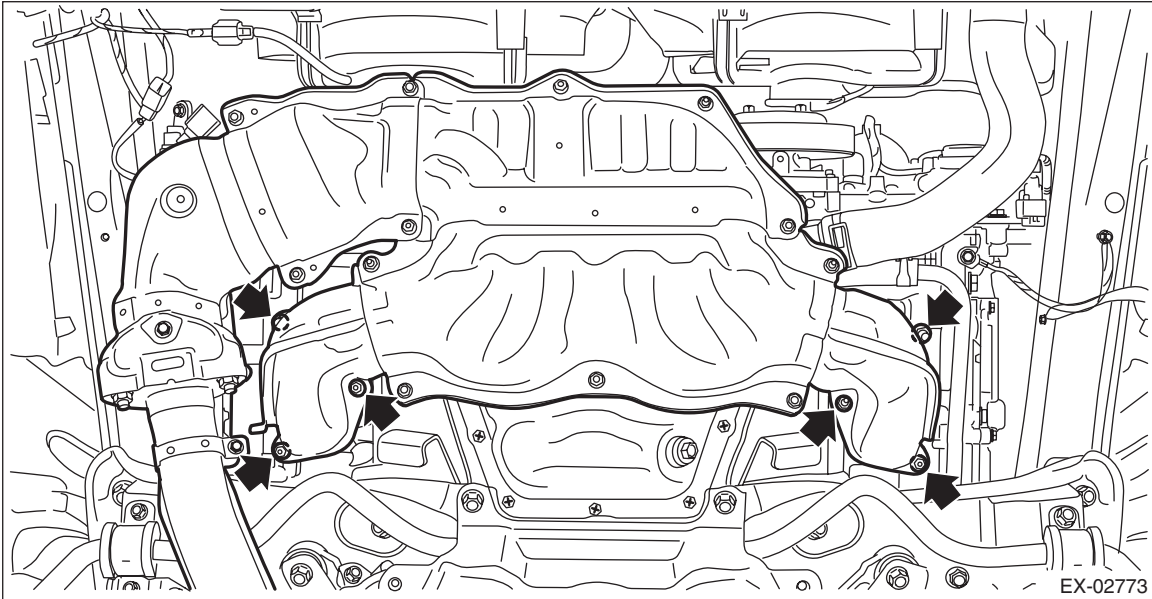


EX-02753

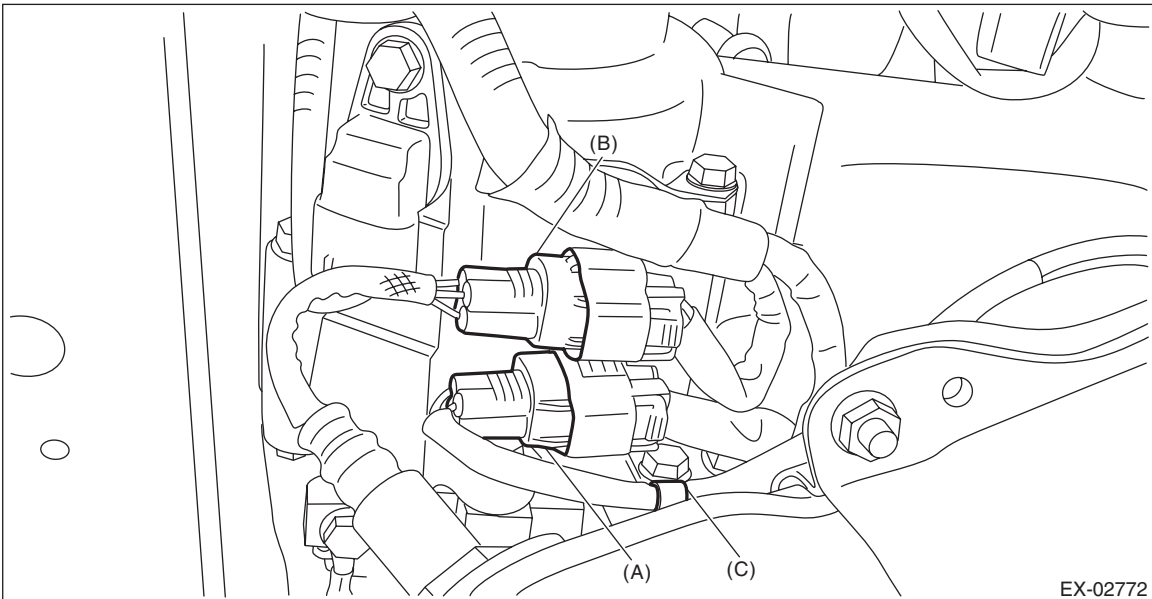
7) Tighten the nuts which hold front exhaust pipe to cylinder heads.

Tightening torque:

30 N·m (3.1 kgf·m, 22.1 ft·lb)



8) Connect the front oxygen (A/F) sensor connector (A) and rear oxygen sensor connector (B), and fasten the harness with the clip (C).



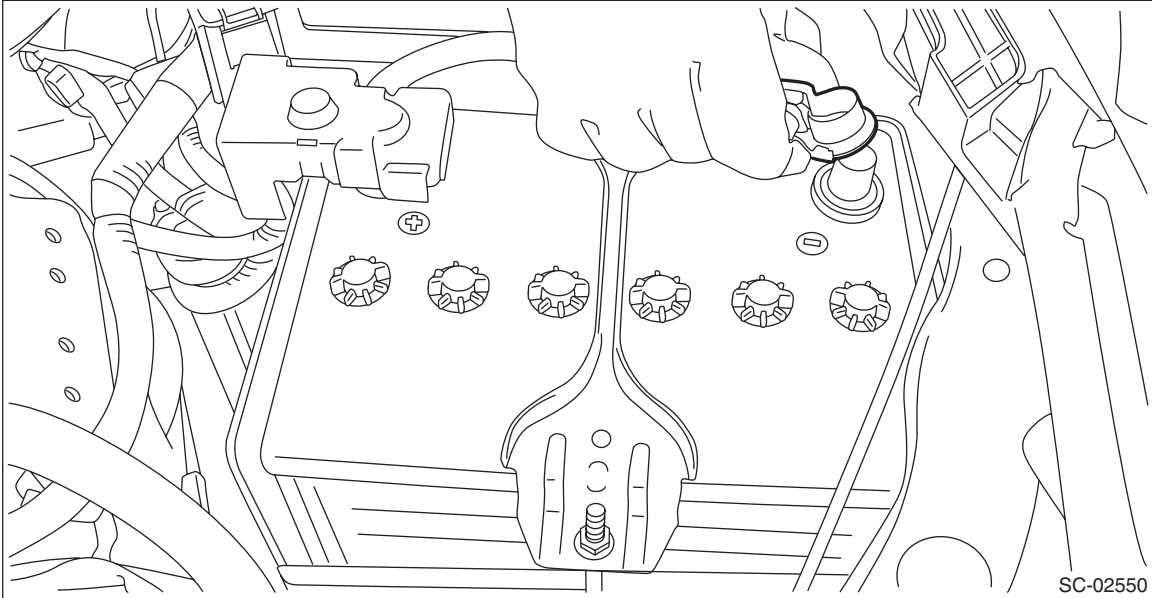
9) Install the under cover. <Ref. to EI-25, INSTALLATION, Front Under Cover.>

10) Lower the vehicle.

Front Exhaust Pipe

EXHAUST

11) Connect the battery ground terminal.



C: INSPECTION

- 1) Check the connections and welded parts for exhaust leaks.
- 2) Make sure there are no holes or rusting.