

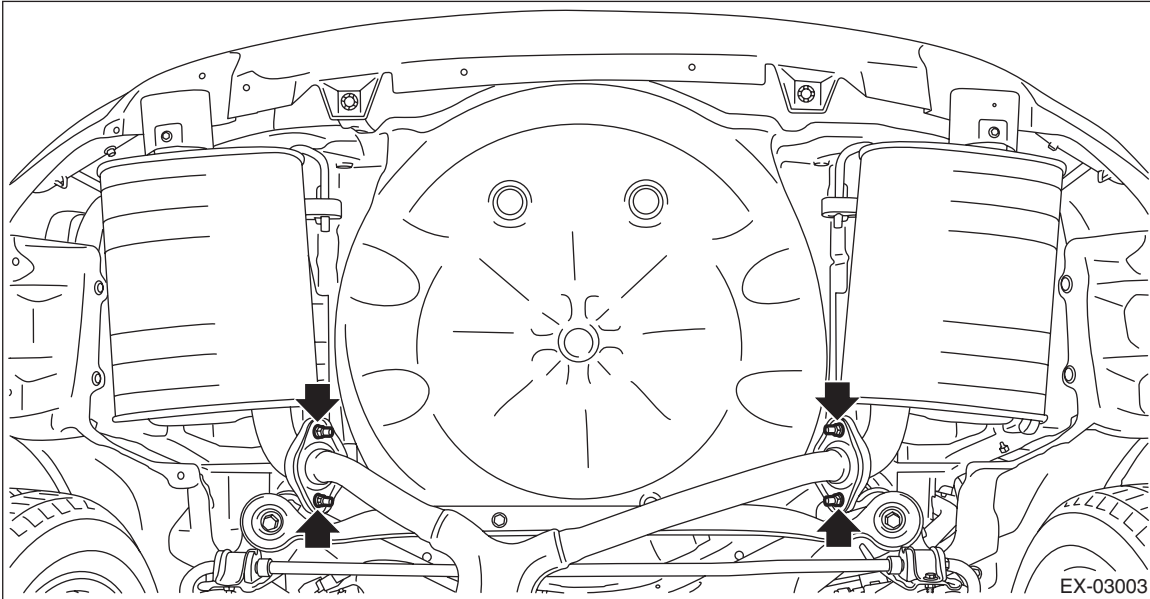
5. Muffler

A: REMOVAL

CAUTION:

Vehicle components are extremely hot after driving. Be wary of receiving burns from heated parts.

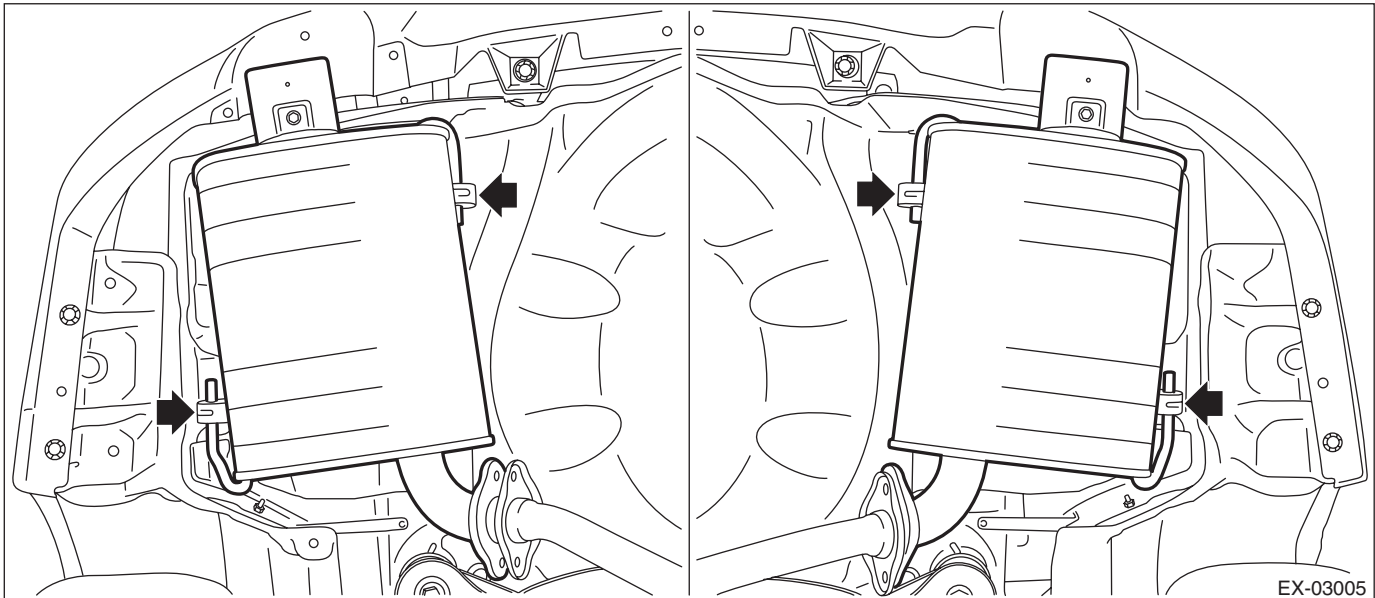
- 1) Lift up the vehicle.
- 2) Remove the bolts and self-locking nuts which secure the rear exhaust pipe to the muffler.



- 3) Apply a coat of spray type lubricant to the mating area of cushion rubber.
- 4) Remove the muffler from the cushion rubber.

CAUTION:

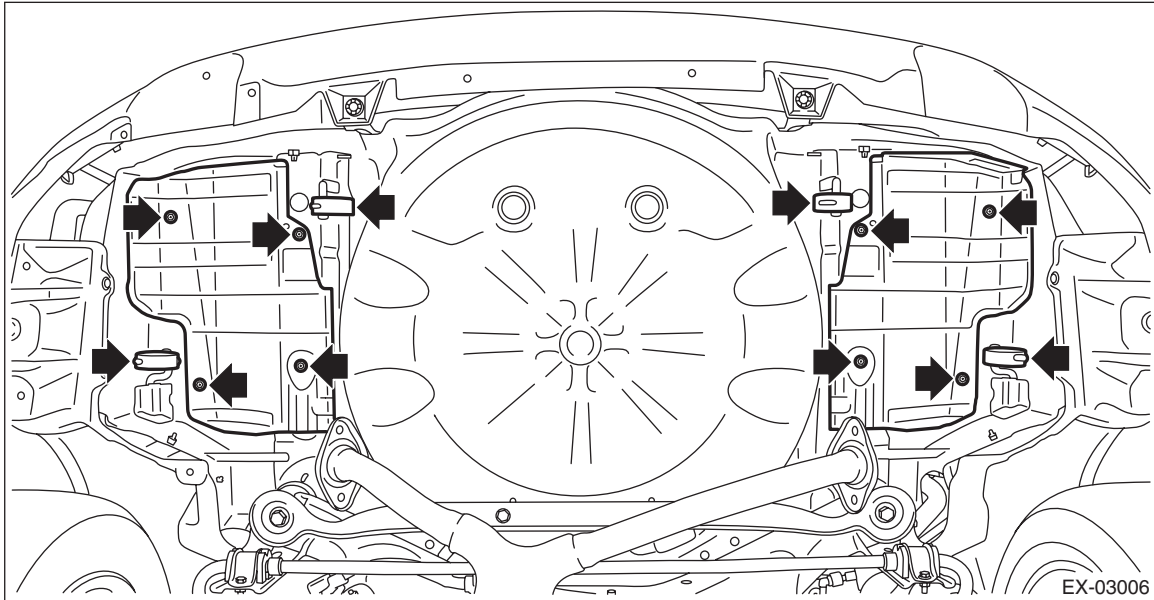
Be careful not to drop the muffler during removal.



Muffler

EXHAUST

5) Remove the cushion rubber and rear exhaust cover from the vehicle.



B: INSTALLATION

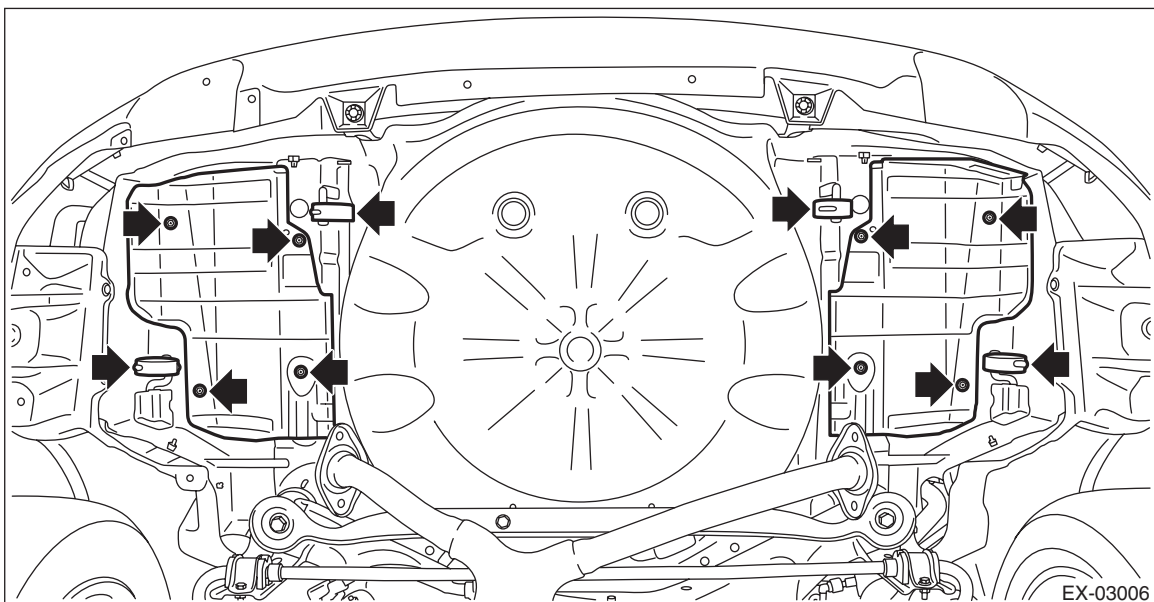
Install in the reverse order of removal.

NOTE:

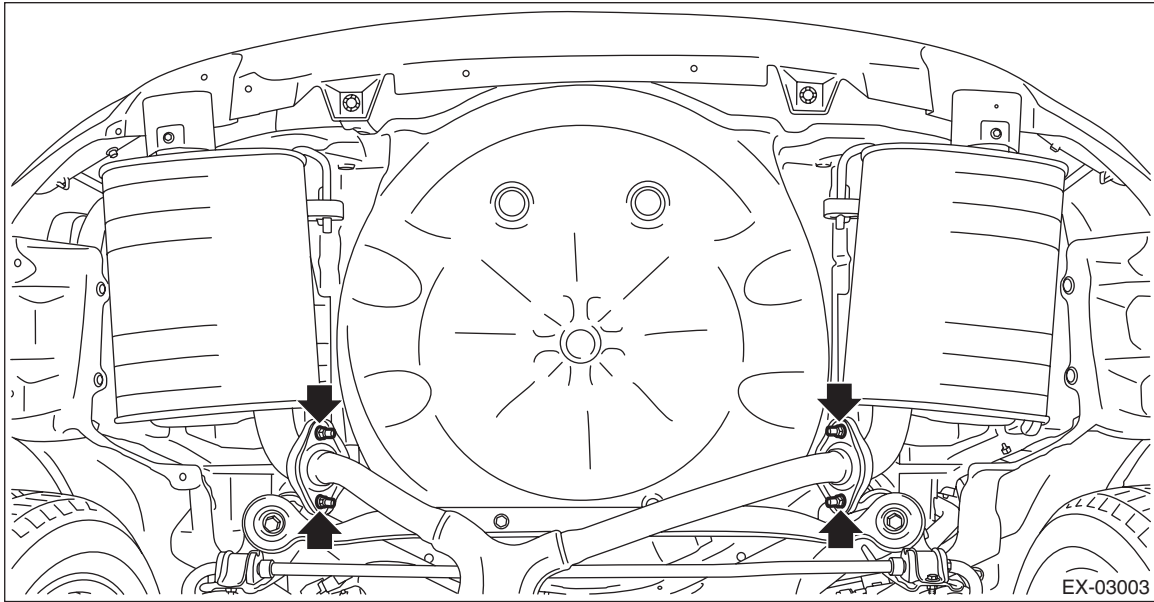
- Use a new gasket and self-locking nut.
- After assembling, degrease the lubricant which was applied to the cushion rubber while removing/installing.

Tightening torque:

10 N·m (1.0 kgf·m, 7.4 ft·lb)



Tightening torque:
48 N·m (4.9 kgf·m, 35.4 ft·lb)



C: INSPECTION

- 1) Check the connections and welded parts for exhaust leaks.
- 2) Make sure there are no holes or rusting.
- 3) Check the cushion rubber for wear or crack.

Muffler

EXHAUST

COOLING

CO(H4DOTC)

	Page
1. General Description	2
2. Radiator Fan System	7
3. Engine Coolant	13
4. Water Pump	16
5. Water Pipe Assembly	19
6. Thermostat	35
7. Radiator	39
8. Radiator Cap	52
9. Radiator Main Fan and Fan Motor	53
10. Radiator Sub Fan and Fan Motor	56
11. Reservoir Tank	59
12. Engine Cooling System Trouble in General	60