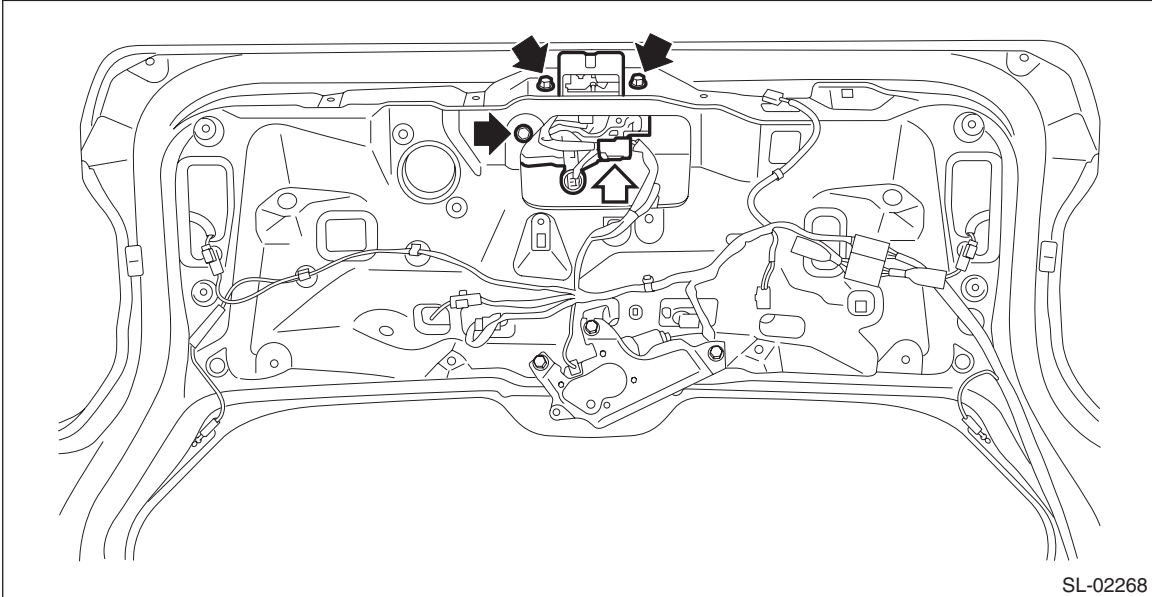


## 7. Power Rear Gate Auto Closer

### A: REMOVAL

- 1) Disconnect the ground cable from battery.
- 2) Remove the trim panel - rear gate LWR. <Ref. to EI-122, REMOVAL, Rear Gate Trim.>
- 3) Remove the power rear gate auto closer.
  - (1) Disconnect the connector.
  - (2) Remove the bolts, and then remove the power rear gate auto closer.



SL-02268

### B: INSTALLATION

Install each part in the reverse order of removal.

#### **Tightening torque:**

**Power rear gate auto closer: 25 N·m (2.55 kgf-m, 18.4 ft-lb)**

# Power Rear Gate Auto Closer

## POWER REAR GATE SYSTEM

### C: INSPECTION

#### 1. LATCH

Pull the emergency lever to check that the latch operates properly.

If latch deformation, abnormal wear, or unsmooth lock operation is observed, replace the power rear gate auto closer.

#### 2. ACTUATOR

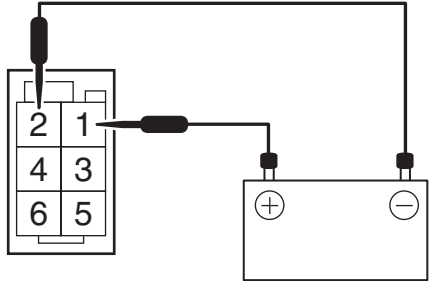
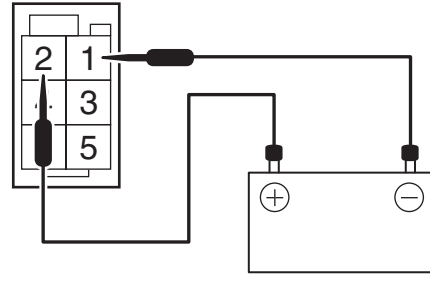
##### Unit inspection

##### Preparation tool:

##### Circuit tester

##### 1) Check motor operation

(1) Check the motor operation when battery voltage is applied between the terminals of motor.

Terminal No.	Inspection conditions	Specification	Connection diagram
1 (+) — 2 (-)	Connect battery to the terminals	CLOSE rotation	 <p style="text-align: right;">SL-02432</p>
2 (+) — 1 (-)		OPEN rotation	 <p style="text-align: right;">SL-02431</p>

(2) After the motor operation check is completed, perform initialization of the sector switch in the following procedures.

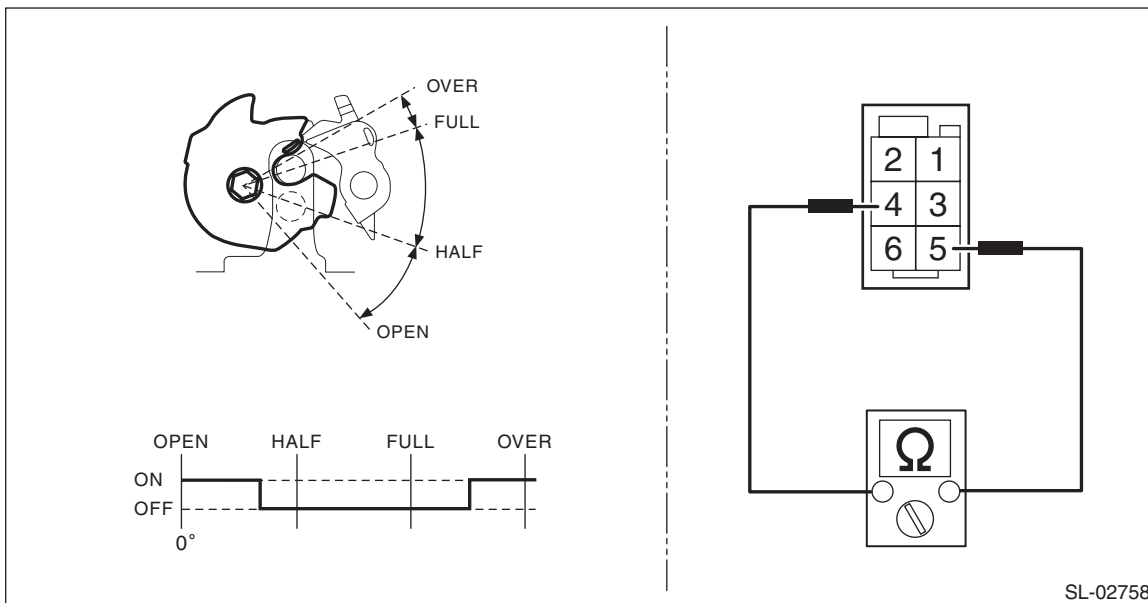
1. Operate the motor in the OPEN direction for approximately 2 seconds.
2. Connect the connector of power rear gate auto closer.
3. Connect the battery ground cable with the rear gate fully open.

# Power Rear Gate Auto Closer

## 2) Check switch

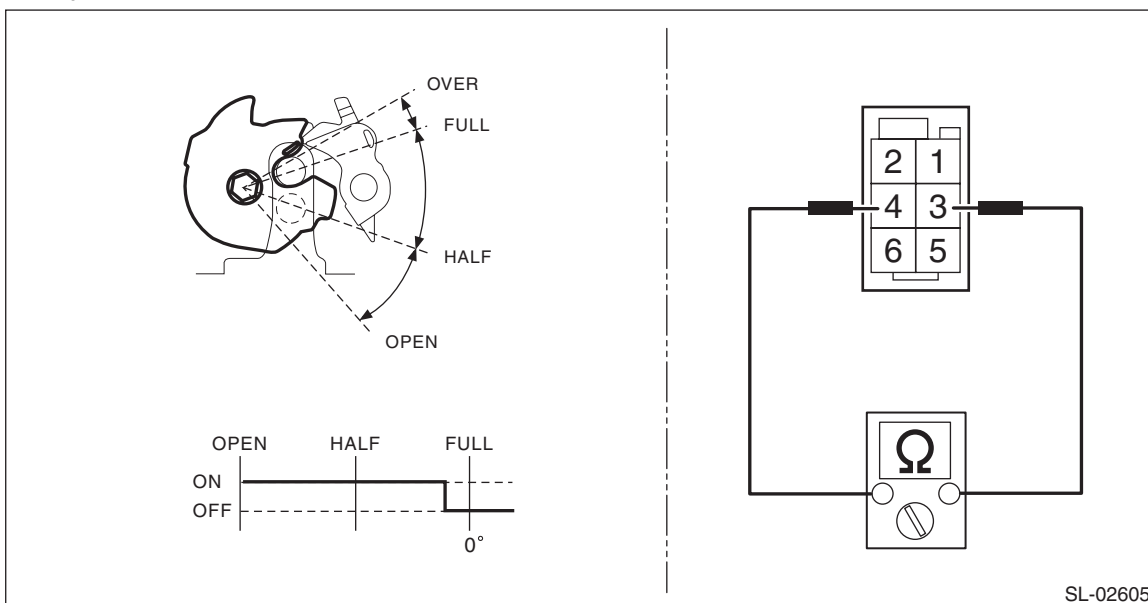
(1) Check the resistance between switch terminals.

- Latch switch



Terminal No.	Inspection conditions	Standard
5 — 4	OPEN	Less than 1 Ω
	HALF	10 kΩ or more
	FULL	10 kΩ or more
	OVER	Less than 1 Ω

- Courtesy switch



Terminal No.	Inspection conditions	Standard
3 — 4	OPEN	Less than 1 Ω
	HALF	Less than 1 Ω
	FULL	10 kΩ or more

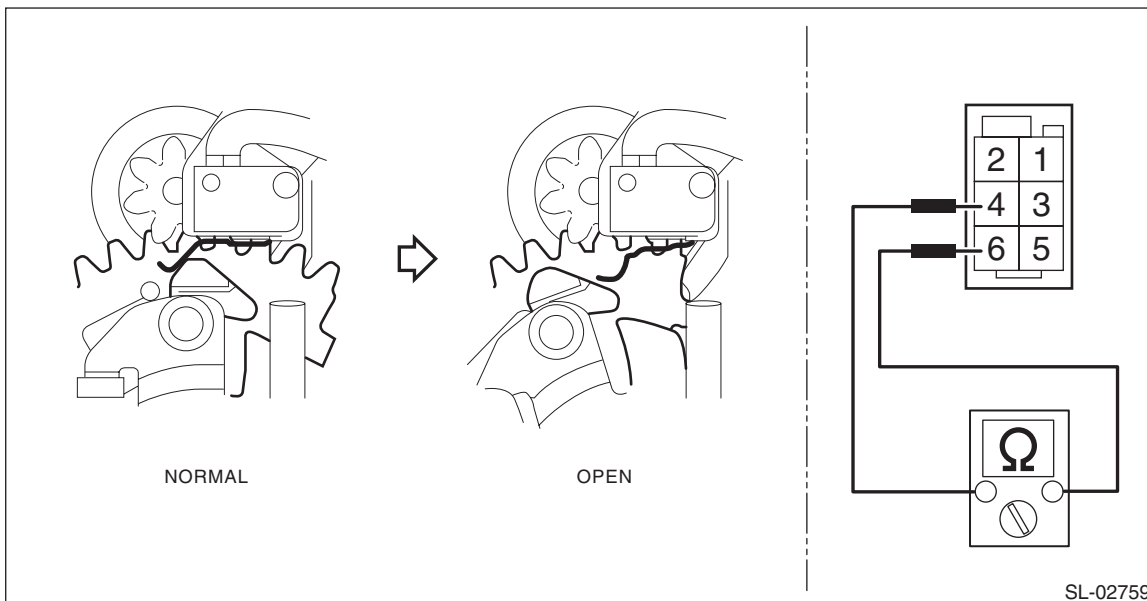
# Power Rear Gate Auto Closer

## POWER REAR GATE SYSTEM

- Sector switch

### CAUTION:

Perform the check while operating the motor in the OPEN direction with the battery voltage applied between the terminals of motor. For detailed procedures, refer to 1) Check motor operation.



Terminal No.	Inspection conditions	Standard
4 — 6	Switch ON (NORMAL)	Less than 1 Ω
	Switch OFF (OPEN)	10 kΩ or more

(2) After the switch check is completed, perform initialization of the sector switch in the following procedures.

1. Operate the motor in the OPEN direction for approximately 2 seconds.
  2. Connect the connector of power rear gate auto closer.
  3. Connect the battery ground cable with the rear gate fully open.
- 3) Replace the power rear gate auto closer if it is found defective.