

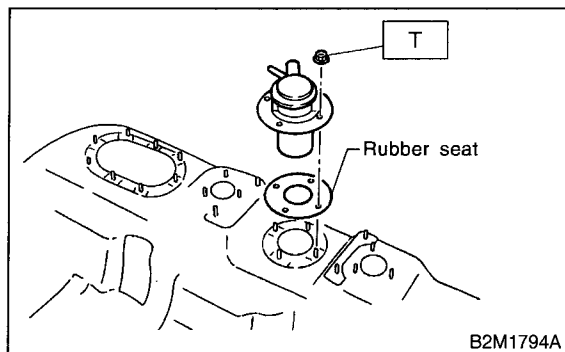
9) Installation is in the reverse order of removal.

CAUTION:

Replace rubber seat with a new one.

Tightening torque:

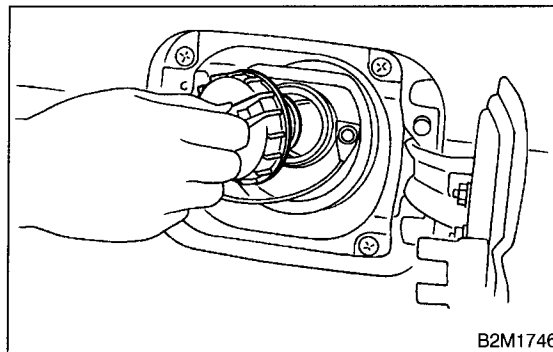
T: 4.4 ± 1.5 N·m (0.45 ± 0.15 kg·m, 3.3 ± 1.1 ft·lb)



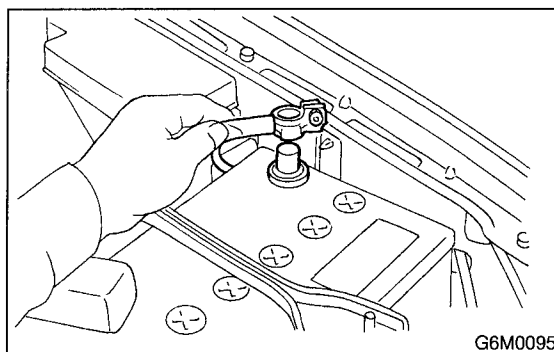
15. Shut Valve

A: REMOVAL AND INSTALLATION

- 1) Release fuel pressure. <Ref. to 2-2 [W9B0].☆1>
- 2) Open fuel flap lid, and remove fuel filler cap.



- 3) Disconnect battery ground cable.



- 4) Drain fuel from fuel tank. <Ref. to 2-2 [W9C0].☆1>

