

# SECTION BT

GI  
MA  
EM  
LC  
EC  
FE  
CL  
MT  
AT  
AX  
SU  
BR  
ST  
RS  
**BT**  
HA  
SC  
EL  
IDX

## CONTENTS

<b>PRECAUTIONS</b> .....	3	Overhaul .....	22
Supplemental Restraint System (SRS) "AIR BAG" and "SEAT BELT PRE-TENSIONER" .....	3	<b>INSTRUMENT PANEL ASSEMBLY</b> .....	23
<b>PREPARATION</b> .....	4	Removal and Installation .....	23
Special Service Tools .....	4	<b>SIDE AND FLOOR TRIM</b> .....	27
Commercial Service Tool .....	4	Removal and Installation .....	27
<b>SQUEAK AND RATTLE TROUBLE DIAGNOSES</b> .....	5	<b>DOOR TRIM</b> .....	29
Work Flow .....	5	Removal and Installation .....	29
CUSTOMER INTERVIEW .....	5	<b>ROOF TRIM</b> .....	31
DUPLICATE THE NOISE AND TEST DRIVE .....	6	Removal and Installation .....	31
CHECK RELATED SERVICE BULLETINS .....	6	<b>TRUNK ROOM TRIM</b> .....	33
LOCATE THE NOISE AND IDENTIFY THE ROOT CAUSE .....	6	Removal and Installation .....	33
REPAIR THE CAUSE .....	6	<b>EXTERIOR</b> .....	34
CONFIRM THE REPAIR .....	7	Removal and Installation .....	34
Generic Squeak and Rattle Troubleshooting .....	7	<b>FRONT SEAT</b> .....	40
INSTRUMENT PANEL .....	7	Removal and Installation .....	40
CENTER CONSOLE .....	7	POWER SEAT .....	41
DOORS .....	7	HEATED SEAT .....	42
TRUNK .....	8	<b>REAR SEAT</b> .....	43
SUNROOF/HEADLINER .....	8	Removal and Installation .....	43
SEATS .....	8	FOLDING SEAT .....	43
UNDERHOOD .....	8	<b>SUNROOF</b> .....	44
Diagnostic Worksheet .....	9	Adjustment .....	44
<b>CLIP AND FASTENER</b> .....	11	Removal and Installation .....	45
Description .....	11	Trouble Diagnoses .....	49
<b>BODY FRONT END</b> .....	13	DIAGNOSTIC TABLE .....	49
Removal and Installation .....	13	WIND DEFLECTOR .....	49
FRONT BUMPER ASSEMBLY .....	13	ADJUSTMENT .....	50
<b>BODY REAR END AND OPENER</b> .....	16	DRAIN HOSES .....	51
Removal and Installation .....	16	WEATHERSTRIP .....	51
REAR BUMPER ASSEMBLY .....	16	LINK AND WIRE ASSEMBLY .....	52
TRUNK LID INSIDE RELEASE HANDLE .....	19	<b>WINDSHIELD AND WINDOWS</b> .....	53
<b>FRONT DOOR</b> .....	20	Removal and Installation .....	53
Front Door Glass Limit Switch Reset (Driver side only) .....	20	REMOVAL .....	53
RESET CONDITIONS .....	20	INSTALLATION .....	53
RESET PROCEDURES .....	20	WINDSHIELD .....	54
Overhaul .....	21	<b>DOOR MIRROR</b> .....	55
<b>REAR DOOR</b> .....	22	Removal and Installation .....	55
		<b>REAR VIEW MIRROR</b> .....	56
		Removal and Installation .....	56
		REMOVAL .....	56

# CONTENTS (Cont'd)

INSTALLATION.....	56	ENGINE COMPARTMENT.....	58
<b>BODY (ALIGNMENT)</b> .....	57	UNDERBODY .....	60
Alignment.....	57		

# PRECAUTIONS

Supplemental Restraint System (SRS) "AIR BAG" and "SEAT BELT PRE-TENSIONER"

## Supplemental Restraint System (SRS) "AIR BAG" and "SEAT BELT PRE-TENSIONER"

NCBT0022

The Supplemental Restraint System such as "AIR BAG" and "SEAT BELT PRE-TENSIONER" used along with a seat belt, helps to reduce the risk or severity of injury to the driver and front passenger for certain types of collision. The SRS system composition which is available to INFINITI G20 is as follows:

- For a frontal collision  
The Supplemental Restraint System consists of driver air bag module (located in the center of the steering wheel), front passenger air bag module (located on the instrument panel on passenger side), seat belt pre-tensioners, a diagnosis sensor unit, warning lamp, wiring harness and spiral cable.
- For a side collision  
The Supplemental Restraint System consists of side air bag module (located in the outer side of front seat), satellite sensor, diagnosis sensor unit (one of components of air bags for a frontal collision), wiring harness, warning lamp (one of components of air bags for a frontal collision).

Information necessary to service the system safely is included in the **RS** section of this Service Manual.

### **WARNING:**

- **To avoid rendering the SRS inoperative, which could increase the risk of personal injury or death in the event of a collision which would result in air bag inflation, all maintenance must be performed by an authorized INFINITI dealer.**
- **Improper maintenance, including incorrect removal and installation of the SRS, can lead to personal injury caused by unintentional activation of the system. For removal of Spiral Cable and Air Bag Module, see the RS section.**
- **Do not use electrical test equipment on any circuit related to the SRS unless instructed to in this Service Manual. SRS wiring harnesses (except "SEAT BELT PRE-TENSIONER") can be identified by yellow harness connector.**

GI  
MA  
EM  
LC  
EC  
FE  
CL  
MT  
AT  
AX  
SU  
BR  
ST  
RS  
BT  
HA  
SC  
EL  
IDX

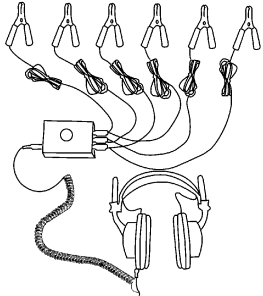
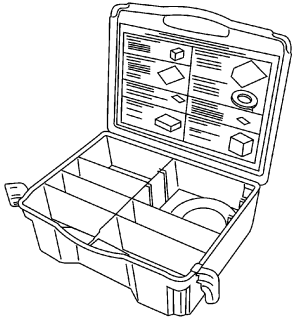
# PREPARATION

## Special Service Tools

### Special Service Tools

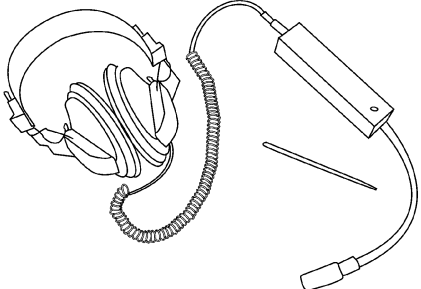
NCBT0023

The actual shapes of Kent-Moore tools may differ from those of special service tools illustrated here.

Tool number (Kent-Moore No.) Tool name	Description
<p>— (J-39570) Chassis ear</p>	<p>Locating the noise</p>  <p>SBT839</p>
<p>— (J-43980) Nissan Squeak and Rattle kit</p>	<p>Repairing the cause of noise</p>  <p>SBT840</p>

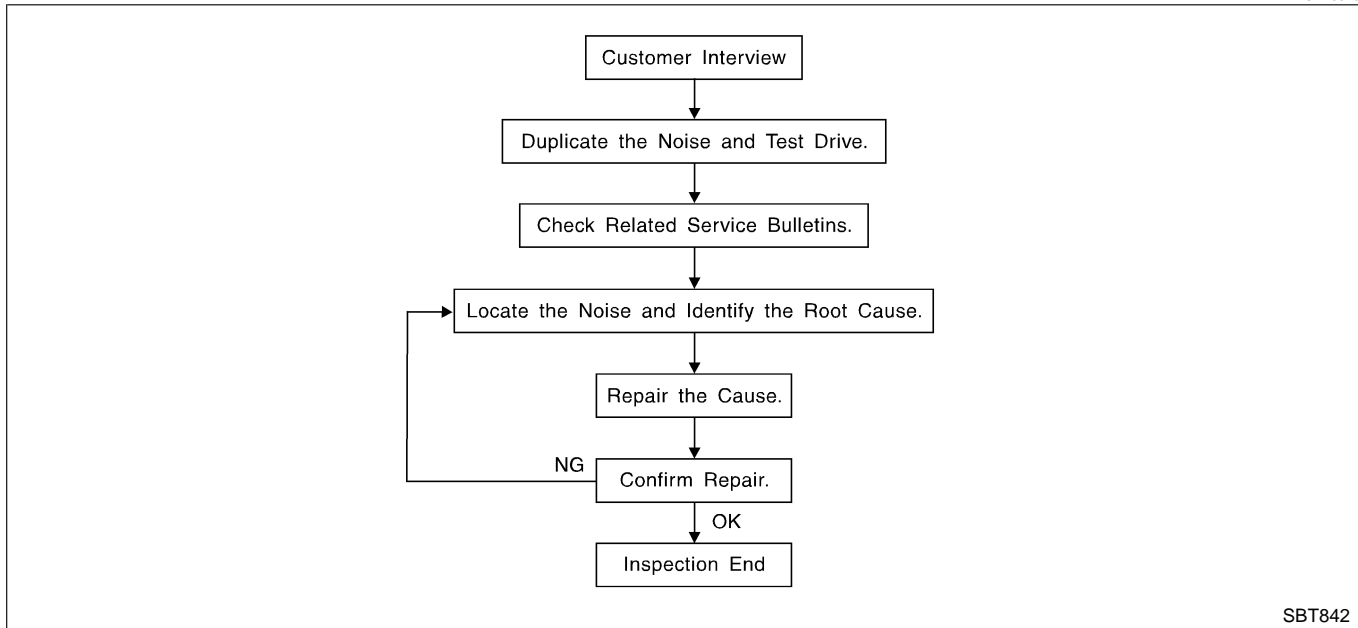
### Commercial Service Tool

NCBT0024

Tool name	Description
<p>Engine ear</p>	<p>Locating the noise</p>  <p>SBT841</p>

## Work Flow

NCBT0025



SBT842

### CUSTOMER INTERVIEW

NCBT0025S01

Interview the customer, if possible, to determine the conditions that exist when the noise occurs. Use the Diagnostic Worksheet during the interview to document the facts and conditions when the noise occurs and any customer's comments; refer to BT-9. This information is necessary to duplicate the conditions that exist when the noise occurs.

- The customer may not be able to provide a detailed description or the location of the noise. Attempt to obtain all the facts and conditions that exist when the noise occurs (or does not occur).
- If there is more than one noise in the vehicle, be sure to diagnose and repair the noise that the customer is concerned about. This can be accomplished by test driving the vehicle with the customer.
- After identifying the type of noise, isolate the noise in terms of its characteristics. The noise characteristics are provided so the customer, service adviser and technician are all speaking the same language when defining the noise.
- Squeak — (Like tennis shoes on a clean floor)  
Squeak characteristics include the light contact/fast movement/brought on by road conditions/hard surfaces = higher pitch noise/softer surfaces = lower pitch noises/edge to surface = chirping
- Creak — (Like walking on an old wooden floor)  
Creak characteristics include firm contact/slow movement/twisting with a rotational movement/pitch dependent on materials/often brought on by activity.
- Rattle — (Like shaking a baby rattle)  
Rattle characteristics include the fast repeated contact/vibration or similar movement/loose parts/missing clip or fastener/incorrect clearance.
- Knock — (Like a knock on a door)  
Knock characteristics include hollow sounding/sometimes repeating/often brought on by driver action.
- Tick — (Like a clock second hand)  
Tick characteristics include gentle contacting of light materials/loose components/can be caused by driver action or road conditions.
- Thump — (Heavy, muffled knock noise)  
Thump characteristics include softer knock/dead sound often brought on by activity.
- Buzz — (Like a bumble bee)  
Buzz characteristics include high frequency rattle/firm contact.
- Often the degree of acceptable noise level will vary depending upon the person. A noise that you may judge as acceptable may be very irritating to the customer.
- Weather conditions, especially humidity and temperature, may have a great effect on noise level.

# SQUEAK AND RATTLE TROUBLE DIAGNOSES

Work Flow (Cont'd)

## DUPLICATE THE NOISE AND TEST DRIVE

NCBT0025S02

If possible, drive the vehicle with the customer until the noise is duplicated. Note any additional information on the Diagnostic Worksheet regarding the conditions or location of the noise. This information can be used to duplicate the same conditions when you confirm the repair.

If the noise can be duplicated easily during the test drive, to help identify the source of the noise, try to duplicate the noise with the vehicle stopped by doing one or all of the following:

- 1) Close a door.
  - 2) Tap or push/pull around the area where the noise appears to be coming from.
  - 3) Rev the engine.
  - 4) Use a floor jack to recreate vehicle "twist".
  - 5) At idle, apply engine load (electrical load, half-clutch on M/T model, drive position on A/T model).
  - 6) Raise the vehicle on a hoist and hit a tire with a rubber hammer.
- Drive the vehicle and attempt to duplicate the conditions the customer states exist when the noise occurs.
  - If it is difficult to duplicate the noise, drive the vehicle slowly on an undulating or rough road to stress the vehicle body.

## CHECK RELATED SERVICE BULLETINS

NCBT0025S03

After verifying the customer concern or symptom, check ASIST for Technical Service Bulletins (TSBs) related to that concern or symptom.

If a TSB relates to the symptom, follow the procedure to repair the noise.

## LOCATE THE NOISE AND IDENTIFY THE ROOT CAUSE

NCBT0025S04

1. Narrow down the noise to a general area. To help pinpoint the source of the noise, use a listening tool (Chassis Ear: J-39570, Engine Ear: J-39565 and mechanics stethoscope).
2. Narrow down the noise to a more specific area and identify the cause of the noise by:
  - removing the components in the area that you suspect the noise is coming from.  
**Do not use too much force when removing clips and fasteners, otherwise clips and fastener can be broken or lost during the repair, resulting in the creation of new noise.**
  - tapping or pushing/pulling the component that you suspect is causing the noise.  
**Do not tap or push/pull the component with excessive force, otherwise the noise will be eliminated only temporarily.**
  - feeling for a vibration with your hand by touching the component(s) that you suspect is (are) causing the noise.
  - placing a piece of paper between components that you suspect are causing the noise.
  - looking for loose components and contact marks.

Refer to "Generic Squeak and Rattle Troubleshooting", BT-7.

## REPAIR THE CAUSE

NCBT0025S05

- If the cause is a loose component, tighten the component securely.
- If the cause is insufficient clearance between components:
  - separate components by repositioning or loosening and retightening the component, if possible.
  - insulate components with a suitable insulator such as urethane pads, foam blocks, felt cloth tape or urethane tape. A Nissan Squeak and Rattle Kit (J-43980) is available through your authorized Nissan Parts Department.

### CAUTION:

**Do not use excessive force as many components are constructed of plastic and may be damaged. Always check with the Parts Department for the latest parts information.**

The following materials are contained in the Nissan Squeak and Rattle Kit (J-43980). Each item can be ordered separately as needed.

URETHANE PADS [1.5 mm (0.059 in) thick]

Insulates connectors, harness, etc.

76268-9E005: 100 x 135 mm (3.94 x 5.31 in)/76884-71L01: 60 x 85 mm (2.36 x 3.35 in)/76884-71L02: 15 x 25 mm (0.59 x 0.98 in)

INSULATOR (Foam blocks)

Insulates components from contact. Can be used to fill space behind a panel.

73982-9E000: 45 mm (1.77 in) thick, 50 x 50 mm (1.97 x 1.97 in)/73982-50Y00: 10 mm (0.39 in) thick, 50 x 50 mm (1.97 x 1.97 in)

INSULATOR (Light foam block)

80845-71L00: 30 mm (1.18 in) thick, 30 x 50 mm (1.18 x 1.97 in)

## FELT CLOTH TAPE

Used to insulate where movement does not occur. Ideal for instrument panel applications.

68370-4B000: 15 x 25 mm (0.59 x 0.98 in) pad/68239-13E00: 5 mm (0.20 in) wide tape roll

The following materials, not found in the kit, can also be used to repair squeaks and rattles.

## UHMW (TEFLON) TAPE

Insulates where slight movement is present. Ideal for instrument panel applications.

## SILICONE GREASE

Used in place of UHMW tape that will be visible or not fit.

Note: Will only last a few months.

## SILICONE SPRAY

Use when grease cannot be applied.

## DUCT TAPE

Use to eliminate movement.

## CONFIRM THE REPAIR

Confirm that the cause of a noise is repaired by test driving the vehicle. Operate the vehicle under the same conditions as when the noise originally occurred. Refer to the notes on the Diagnostic Worksheet.

## Generic Squeak and Rattle Troubleshooting

Refer to Table of Contents for specific component removal and installation information.

## INSTRUMENT PANEL

Most incidents are caused by contact and movement between:

1. The cluster lid A and instrument panel
2. Acrylic lens and combination meter housing
3. Instrument panel to front pillar garnish
4. Instrument panel to windshield
5. Instrument panel mounting pins
6. Wiring harnesses behind the combination meter
7. A/C defroster duct and duct joint

These incidents can usually be located by tapping or moving the components to duplicate the noise or by pressing on the components while driving to stop the noise. Most of these incidents can be repaired by applying felt cloth tape or silicon spray (in hard to reach areas). Urethane pads can be used to insulate wiring harness.

### CAUTION:

**Do not use silicone spray to isolate a squeak or rattle. If you saturate the area with silicone, you will not be able to recheck the repair.**

## CENTER CONSOLE

Components to pay attention to include:

1. Shifter assembly cover to finisher
2. A/C control unit and cluster lid C
3. Wiring harnesses behind audio and A/C control unit

The instrument panel repair and isolation procedures also apply to the center console.

## DOORS

Pay attention to the:

1. Finisher and inner panel making a slapping noise
2. Inside handle escutcheon to door finisher
3. Wiring harnesses tapping
4. Door striker out of alignment causing a popping noise on starts and stops

Tapping or moving the components or pressing on them while driving to duplicate the conditions can isolate many of these incidents. You can usually insulate the areas with felt cloth tape or insulator foam blocks from the Nissan Squeak and Rattle Kit (J-43980) to repair the noise.

GI

MA

EM

LC

EC

FE

CL

MT

AT

AX

SU

BR

ST

RS

BT

HA

SC

EL

IDX

# SQUEAK AND RATTLE TROUBLE DIAGNOSES

Generic Squeak and Rattle Troubleshooting (Cont'd)

---

## TRUNK

=NCBT0026S04

Trunk noises are often caused by a loose jack or loose items put into the trunk by the owner. In addition look for:

1. Trunk lid bumpers out of adjustment
2. Trunk lid striker out of adjustment
3. The trunk lid torsion bars knocking together
4. A loose license plate or bracket

Most of these incidents can be repaired by adjusting, securing or insulating the item(s) or component(s) causing the noise.

## SUNROOF/HEADLINER

NCBT0026S05

Noises in the sunroof/headliner area can often be traced to one of the following:

1. Sunroof lid, rail, linkage or seals making a rattle or light knocking noise
2. Sunvisor shaft shaking in the holder
3. Front or rear windshield touching headliner and squeaking

Again, pressing on the components to stop the noise while duplicating the conditions can isolate most of these incidents. Repairs usually consist of insulating with felt cloth tape.

## SEATS

NCBT0026S06

When isolating seat noises it's important to note the position the seat is in and the load placed on the seat when the noise is present. These conditions should be duplicated when verifying and isolating the cause of the noise.

Cause of seat noise include:

1. Headrest rods and holders
2. A squeak between the seat pad cushion and frame
3. The rear seat back lock and bracket

These noises can be isolated by moving or pressing on the suspected components while duplicating the conditions under which the noise occurs. Most of these incidents can be repaired by repositioning the component or applying urethane tape to the contact area.

## UNDERHOOD

NCBT0026S07

Some interior noises may be caused by components under the hood or on the engine wall. The noise is then transmitted into the passenger compartment.

Causes of transmitted underhood noises include:

1. Any component mounted to the engine wall
2. Components that pass through the engine wall
3. Engine wall mounts and connectors
4. Loose radiator mounting pins
5. Hood bumpers out of adjustment
6. Hood striker out of adjustment

These noises can be difficult to isolate since they cannot be reached from the interior of the vehicle. The best method is to secure, move or insulate one component at a time and test drive the vehicle. Also, engine RPM or load can be changed to isolate the noise. Repairs can usually be made by moving, adjusting, securing, or insulating the component causing the noise.



## Diagnostic Worksheet

NCBT0027



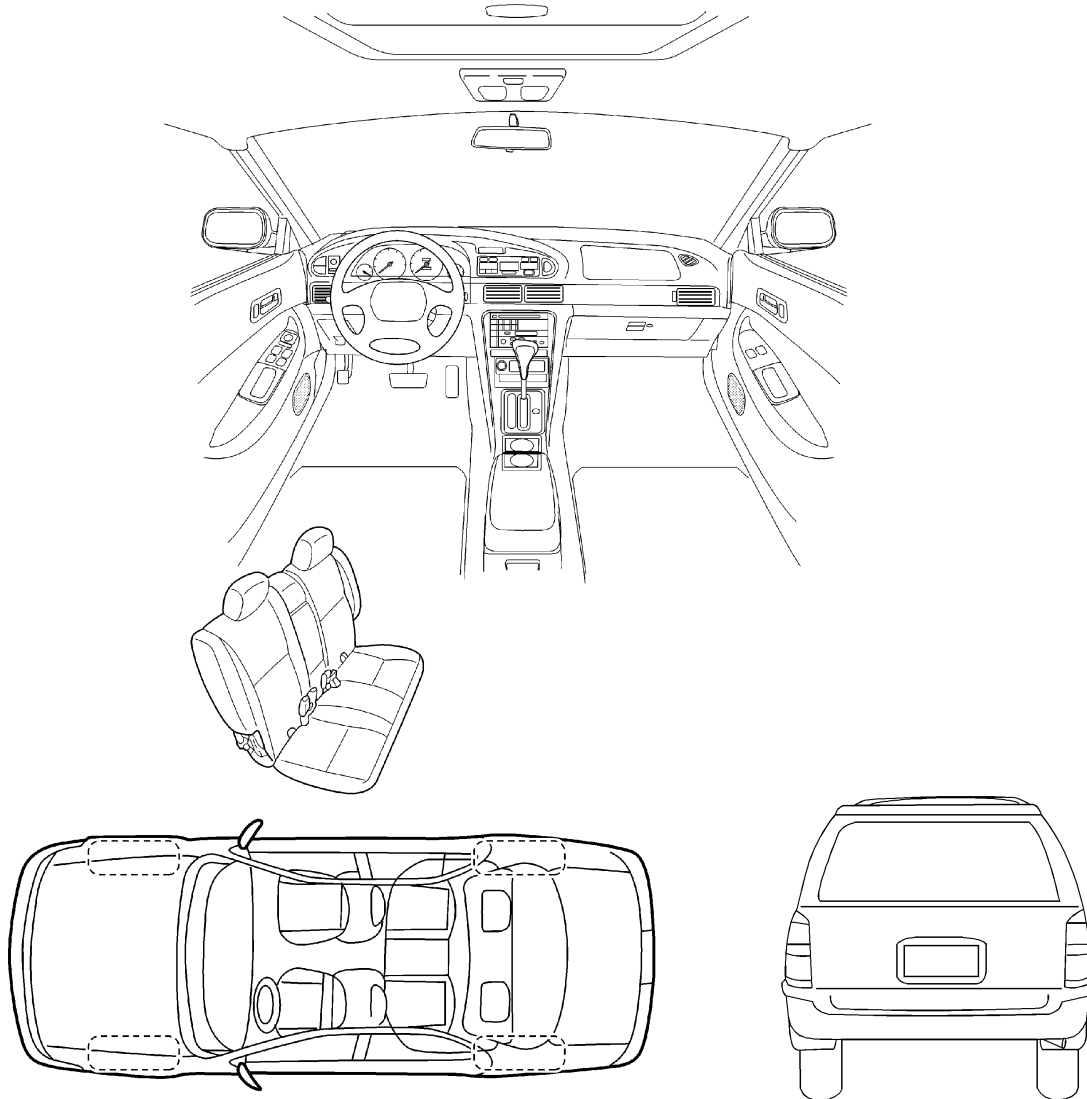
### SQUEAK & RATTLE DIAGNOSTIC WORKSHEET

Dear Infiniti Customer:

We are concerned about your satisfaction with your Infiniti vehicle. Repairing a squeak or rattle sometimes can be very difficult. To help us fix your Infiniti right the first time, please take a moment to note the area of the vehicle where the squeak or rattle occurs and under what conditions. You may be asked to take a test drive with a service advisor or technician to ensure we confirm the noise you are hearing.

#### I. WHERE DOES THE NOISE COME FROM? (circle the area of the vehicle)

The illustrations are for reference only, and may not reflect the actual configuration of your vehicle.



Continue to the back of the worksheet and briefly describe the location of the noise or rattle. In addition, please indicate the conditions which are present when the noise occurs.

GI  
MA  
EM  
LC  
EC  
FE  
CL  
MT  
AT  
AX  
SU  
BR  
ST  
RS  
BT  
HA  
SC  
EL  
IDX

# SQUEAK AND RATTLE TROUBLE DIAGNOSES

Diagnostic Worksheet (Cont'd)

## SQUEAK & RATTLE DIAGNOSTIC WORKSHEET- page 2

Briefly describe the location where the noise occurs:

---

---

---

### II. WHEN DOES IT OCCUR? (check the boxes that apply)

- |  |   |
|--|---|
| <input type="checkbox"/> anytime                             | <input type="checkbox"/> after sitting out in the sun |
| <input type="checkbox"/> 1 <sup>st</sup> time in the morning | <input type="checkbox"/> when it is raining or wet    |
| <input type="checkbox"/> only when it is cold outside        | <input type="checkbox"/> dry or dusty conditions      |
| <input type="checkbox"/> only when it is hot outside         | <input type="checkbox"/> other: _____                 |

### III. WHEN DRIVING:

- through driveways
- over rough roads
- over speed bumps
- only at about \_\_\_\_ mph
- on acceleration
- coming to a stop
- on turns : left, right or either (circle)
- with passengers or cargo
- other: \_\_\_\_\_
- after driving \_\_\_\_ miles or \_\_\_\_ minutes

### IV. WHAT TYPE OF NOISE?

- squeak (like tennis shoes on a clean floor)
- creak (like walking on an old wooden floor)
- rattle (like shaking a baby rattle)
- knock (like a knock on a door)
- tick (like a clock second hand)
- thump (heavy, muffled knock noise)
- buzz (like a bumble bee)

### TO BE COMPLETED BY DEALERSHIP PERSONNEL

#### Test Drive Notes:

---

---

	<u>YES</u>	<u>NO</u>	Initials of person <u>performing</u>
Vehicle test driven with customer	<input type="checkbox"/>	<input type="checkbox"/>	_____
- Noise verified on test drive	<input type="checkbox"/>	<input type="checkbox"/>	_____
- Noise source located and repaired	<input type="checkbox"/>	<input type="checkbox"/>	_____
- Follow up test drive performed to confirm repair	<input type="checkbox"/>	<input type="checkbox"/>	_____

VIN: \_\_\_\_\_ Customer Name: \_\_\_\_\_

W.O. #: \_\_\_\_\_ Date: \_\_\_\_\_

**This form must be attached to Work Order**

SBT844


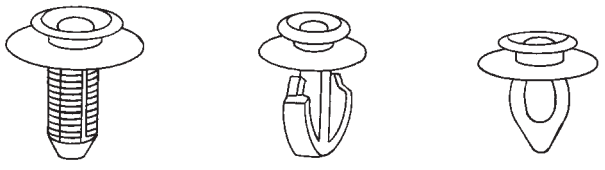


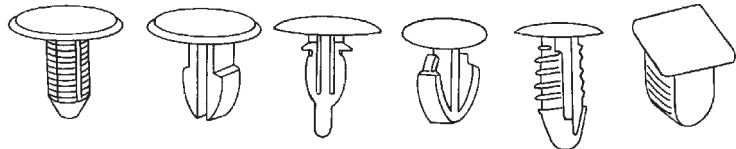
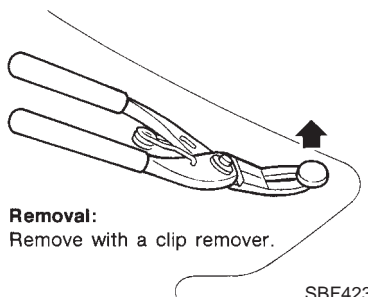

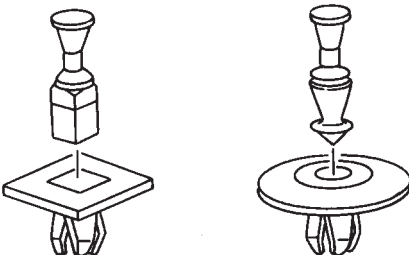
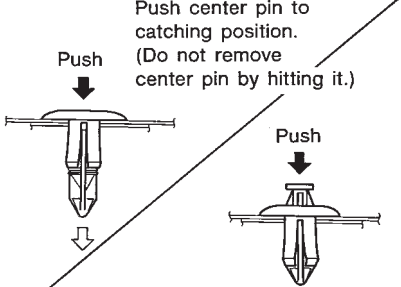

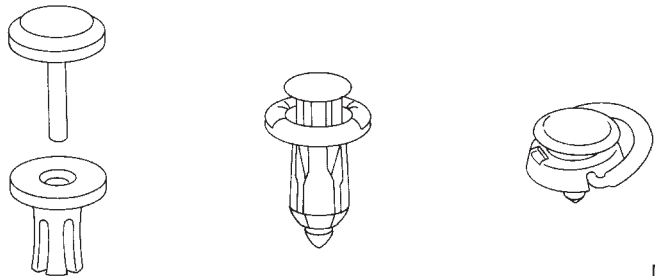
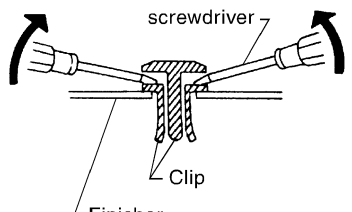

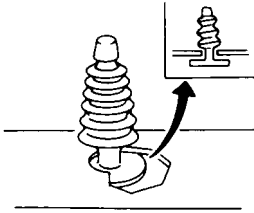
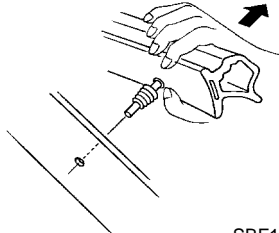
# CLIP AND FASTENER

Description

## Description

NCBT0003


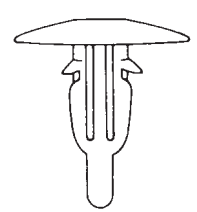
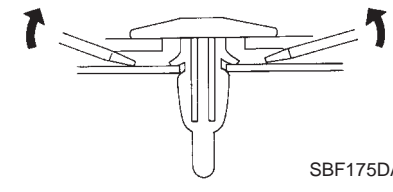

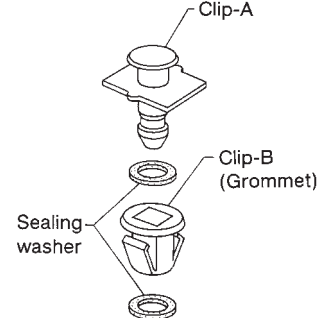
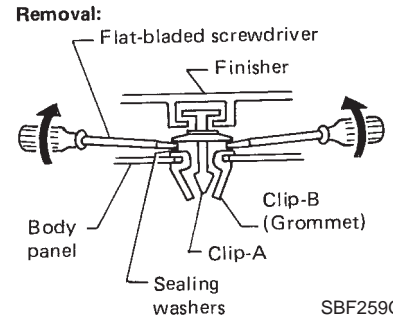
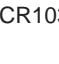
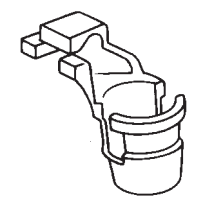
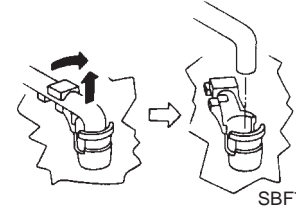

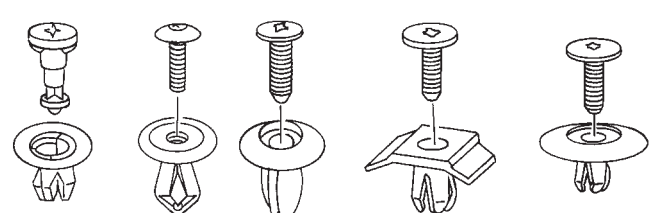
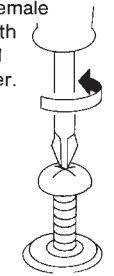
- Clips and fasteners in BT section correspond to the following numbers and symbols.
- Replace any clips and/or fasteners which are damaged during removal or installation.

Symbol No.	Shapes	Removal & Installation
<p>C101</p> 	 <p>SBF302H</p>	<p><b>Removal:</b> Remove by bending up with flat-bladed screwdrivers or clip remover.</p>  <p>SBF367BA</p>
<p>C103</p> 	 <p>SBT095</p>	<p><b>Removal:</b> Remove with a clip remover.</p>  <p>SBF423H</p>
<p>C203</p> 	 <p>SBF258G</p>	<p>Push center pin to catching position. (Do not remove center pin by hitting it.)</p>  <p><b>Installation:</b></p> <p>SBF708E</p>
<p>C205</p> 	 <p>MBT080A</p>	<p><b>Removal:</b> Flat-bladed screwdriver</p>  <p>Clip</p> <p>Finisher</p> <p>SBF638CA</p>
<p>CE103</p> 	 <p>SBF104B</p>	<p><b>Removal:</b></p>  <p>SBF147B</p>

GI  
MA  
EM  
LC  
EC  
FE  
CL  
MT  
AT  
AX  
SU  
BR  
ST  
RS  
BT  
HA  
SC  
EL  
IDX

# CLIP AND FASTENER

Description (Cont'd)

Symbol No.	Shapes	Removal & Installation
<p>CE117</p> 	 <p style="text-align: right;">SBF174D</p>	<p><b>Removal:</b> Remove by bending up with a flat-bladed screwdriver or pliers.</p>  <p style="text-align: right;">SBF175DA</p>
<p>CF118</p> 	 <p style="text-align: right;">SBF151D</p>	<p><b>Removal:</b></p>  <p style="text-align: right;">SBF259G</p>
<p>CR103</p> 	 <p style="text-align: right;">SBF768B</p>	<p><b>Removal:</b> Holder portion of clip must be spread out to remove rod.</p>  <p style="text-align: right;">SBF770B</p>
<p>CS101</p> 	 <p style="text-align: right;">SBF078B</p>	<p><b>Removal:</b></p> <ol style="list-style-type: none"> <li>1. Screw out with a Phillips screwdriver.</li> <li>2. Remove female portion with flat-bladed screwdriver.</li> </ol>  <p style="text-align: right;">SBF992G</p>

## Removal and Installation

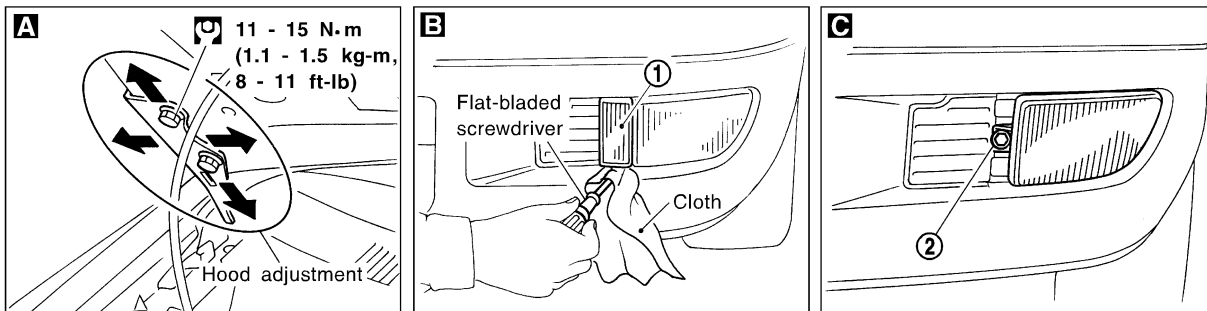
NCBT0004

- When removing or installing hood, place a cloth or other padding on the front fender panels and cowl top. This prevents vehicle body from being scratched. GI
- Bumper fascia is made of plastic. Do not use excessive force and be sure to keep oil away from it.
- Hood adjustment: Adjust at hinge portion. MA
- Hood lock adjustment: After adjusting, check hood lock control operation. Apply a coat of grease to hood locks engaging mechanism. EM
- Hood opener: Do not attempt to bend cable forcibly. Doing so increases effort required to unlock hood. EM

### FRONT BUMPER ASSEMBLY

NCBT0004S01

1. Remove fog lamp rim. **B** LC
2. Remove bolt securing fog lamp assembly. Then disconnect fog lamp connector. **C**
3. Remove clips securing bumper fascia to engine undercover. **D** EC
4. Remove bolts securing bumper fascia to radiator core lower support. **D**
5. Remove screws and clips securing left and right sides of front fender protector. **E** FE
6. Remove bolts securing left and right front fenders to bumper fascia. **F** FE
7. Remove clips securing bumper reinforcement assembly to bumper fascia. **G**
8. Extract bumper fascia assembly. CL
9. Remove energy absorber. **H**
10. Remove bolts and nuts securing headlamp assembly. **J**
11. Remove bolt and nuts securing bumper reinforcement assembly. **K** MT
12. Remove the pin from the bolts which fix the bumper reinforcement assembly. **L**
13. Remove bolts securing bumper reinforcement assembly. **M** AT
14. Extract bumper reinforcement assembly. AT



SBT679

GI  
MA  
EM  
LC  
EC  
FE  
CL  
MT  
AT  
AX  
SU  
BR  
ST  
RS  
BT  
HA  
SC  
EL  
IDX

# BODY FRONT END

Removal and Installation (Cont'd)

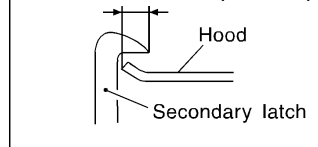
## SEC. 261•620•623•650•656

### Hood lock adjustment

- Adjust hood so that hood primary lock meshes at a position 1 to 1.5 mm (0.039 to 0.059 in) lower than fender.
- After hood lock adjustment, adjust bumper rubber.
- When securing hood lock, ensure it does not tilt. Striker must be positioned at the center of hood primary lock.
- After adjustment, ensure that hood primary and secondary lock operate properly.

### Hood lock secondary latch hooking length

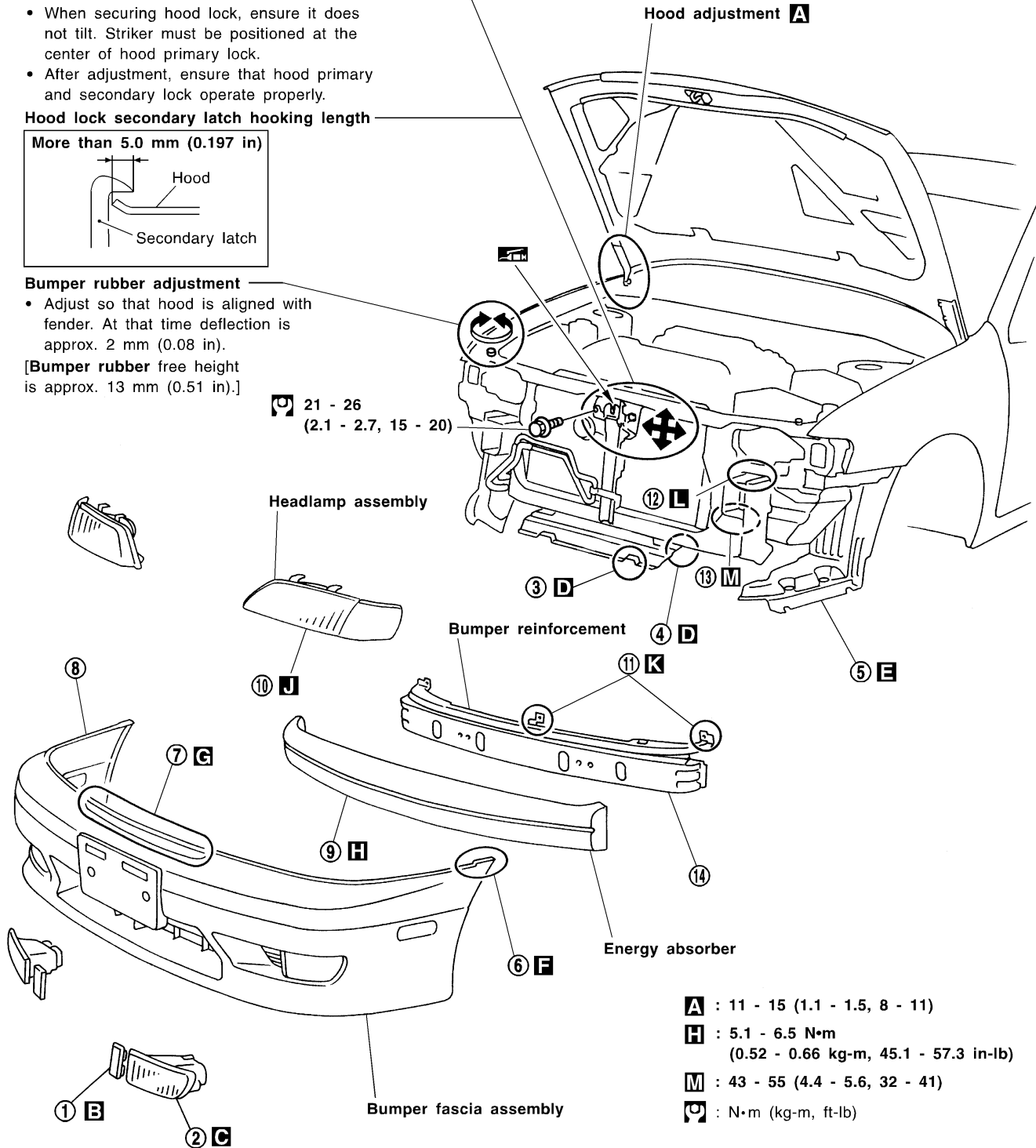
More than 5.0 mm (0.197 in)



### Bumper rubber adjustment

- Adjust so that hood is aligned with fender. At that time deflection is approx. 2 mm (0.08 in).

[Bumper rubber free height is approx. 13 mm (0.51 in).]

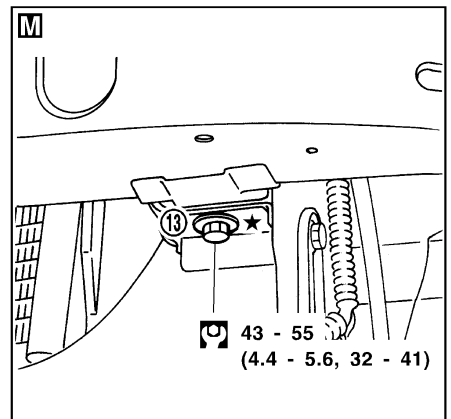
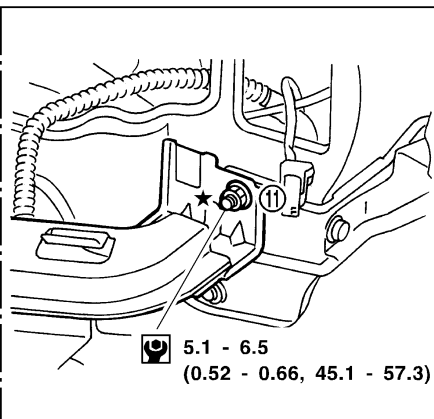
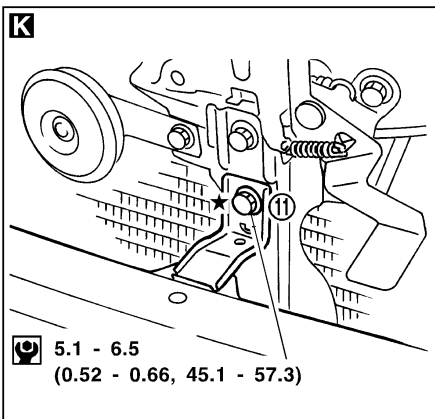
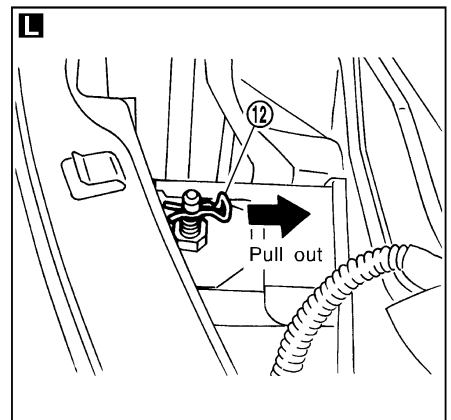
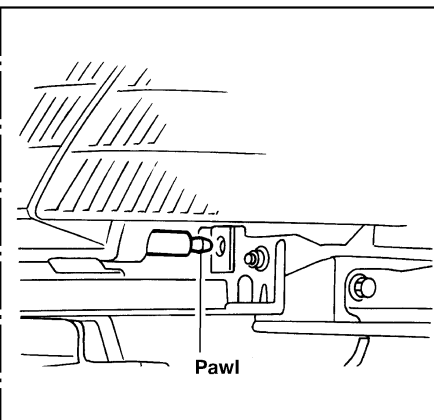
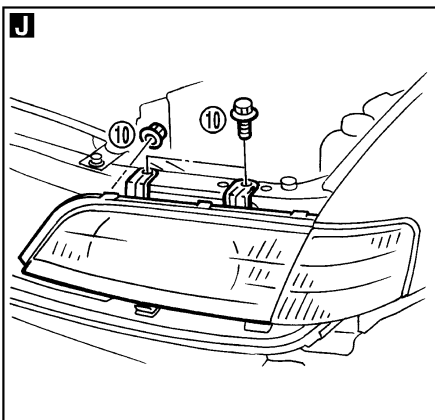
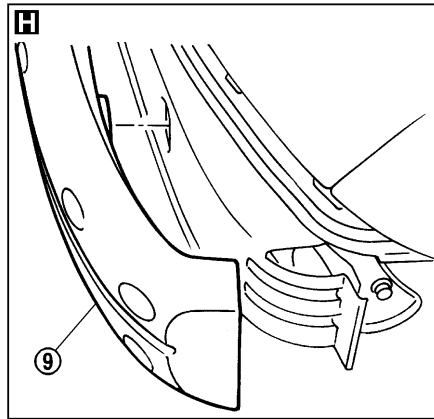
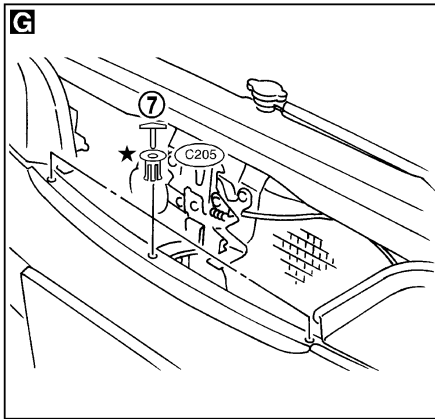
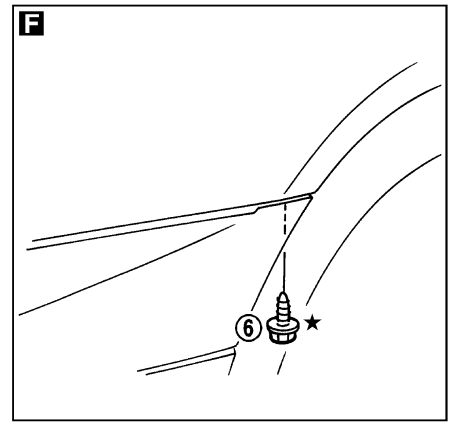
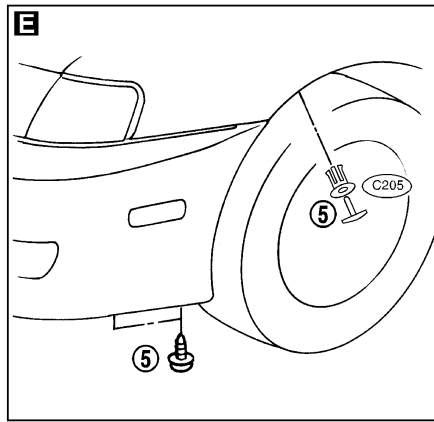
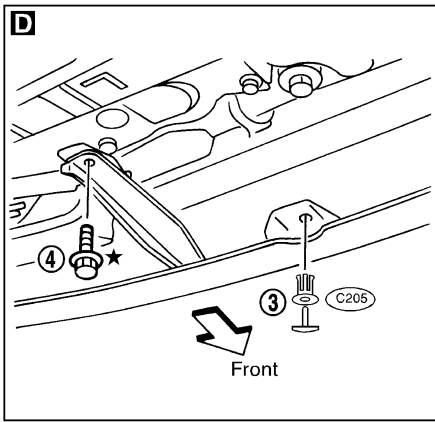


- A** : 11 - 15 (1.1 - 1.5, 8 - 11)
- H** : 5.1 - 6.5 N•m  
(0.52 - 0.66 kg-m, 45.1 - 57.3 in-lb)
- M** : 43 - 55 (4.4 - 5.6, 32 - 41)
- U** : N•m (kg-m, ft-lb)

SBT850

# BODY FRONT END

Removal and Installation (Cont'd)



GI  
MA  
EM  
LC  
EC  
FE  
CL  
MT  
AT  
AX  
SU  
BR  
ST  
RS  
BT  
HA  
SC  
EL  
IDX

★: Bumper assembly mounting bolts, nuts and clips

: N•m (kg-m, ft-lb)

: N•m (kg-m, in-lb)

SBT851

# BODY REAR END AND OPENER

Removal and Installation

## Removal and Installation

NCBT0005

- When removing or installing trunk lid, place a cloth or other padding on the rear fender panels. This prevents vehicle body from being scratched.
- Bumper fascia is made of plastic. Do not use excessive force and be sure to keep oil away from it.
- Trunk lid adjustment: Adjust at hinge-trunk lid portion for proper trunk lid fit.
- Trunk lid lock system adjustment: Adjust striker so that it is in the center of the lock. After adjustment, check trunk lid lock operation.
- After installation, make sure that trunk lid and fuel filler lid open smoothly.

### WARNING:

- **Be careful not to scratch trunk lid stay when installing trunk lid. A scratched stay may cause gas leakage.**
- **The contents of the trunk lid stay are under pressure. Do not take apart, puncture, apply heat or allow fire near it.**

## REAR BUMPER ASSEMBLY

NCBT0005S01

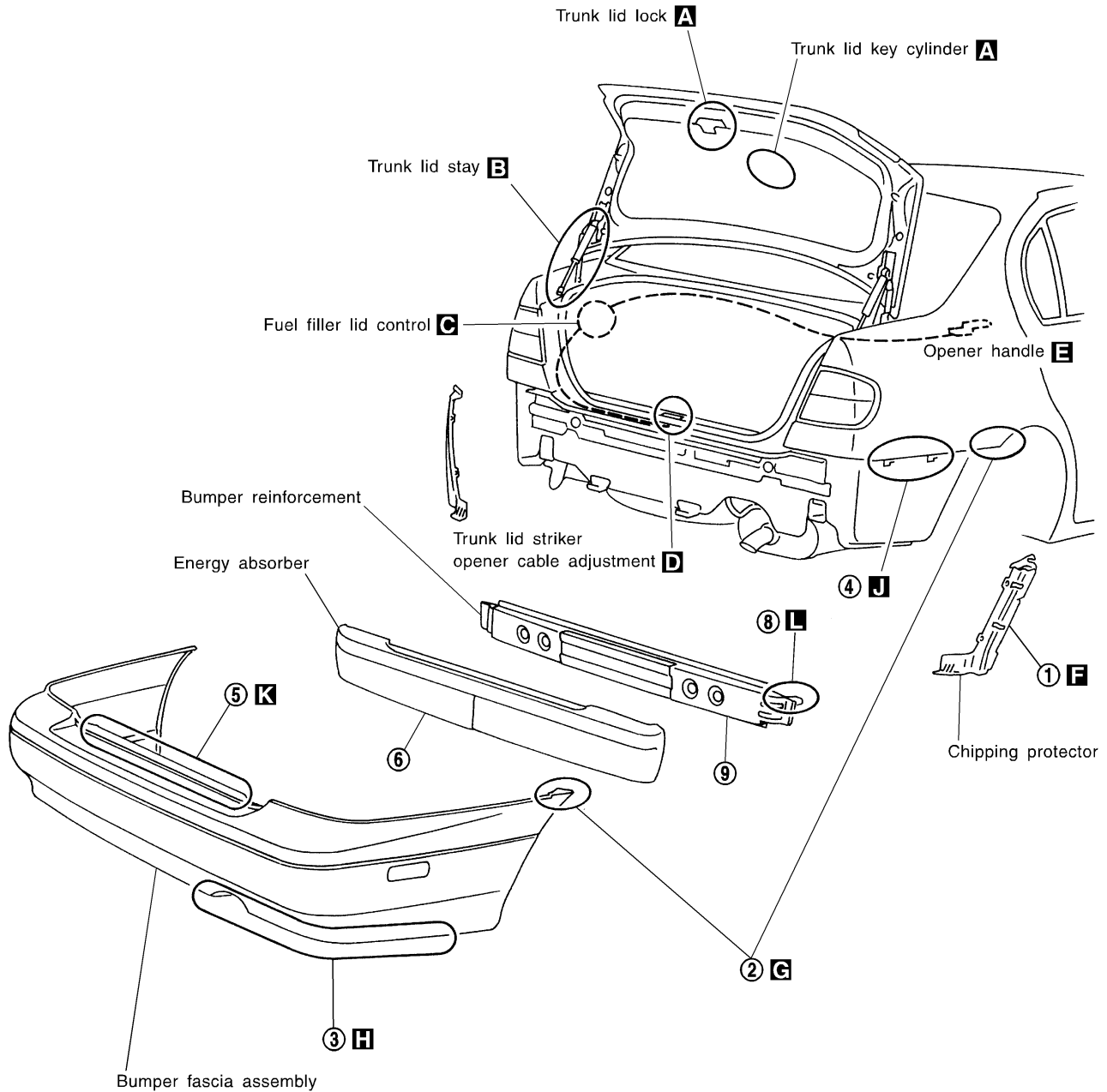
1. Remove clips left and right chipping protectors. **F**
2. Remove bolts securing left and right rear fenders to bumper fascia. **G**
3. Remove clips securing bumper fascia. **H**
4. Open bumper fascia side outward to disengage from side clip. **J**
5. Extract bumper fascia assembly after removing the clamps fixing it. **K**
6. Remove energy absorber.
7. Remove trunk floor carpet.
8. Working from inside the trunk, remove left and right plugs from floor and then remove bumper reinforcement mounting bolts. **L**
9. Extract bumper reinforcement.



# BODY REAR END AND OPENER

Removal and Installation (Cont'd)

SEC. 843•844•850



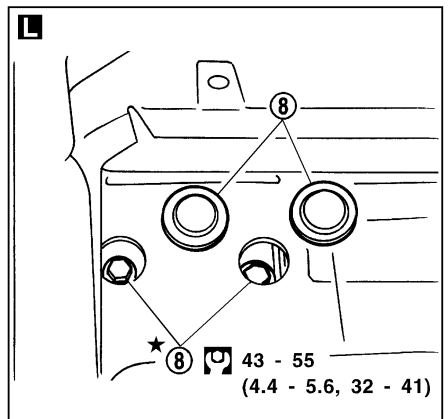
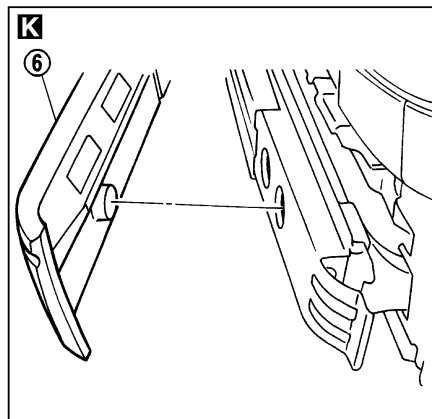
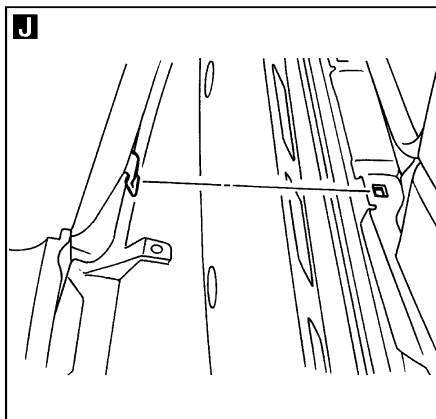
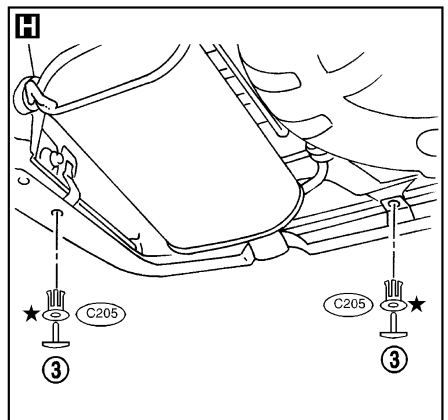
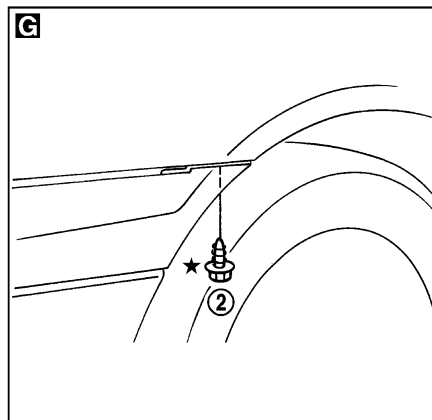
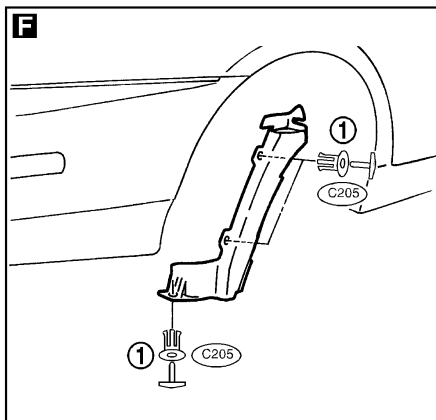
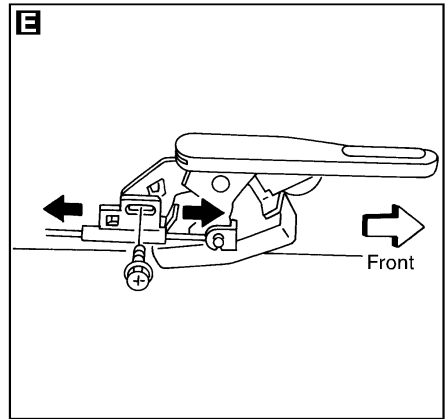
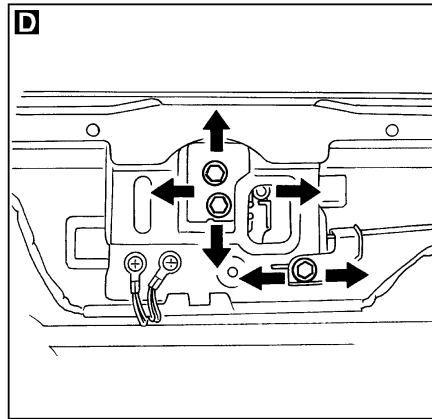
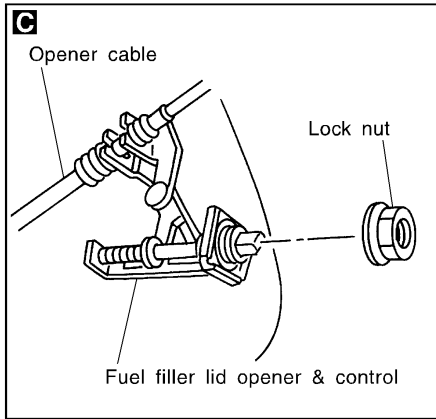
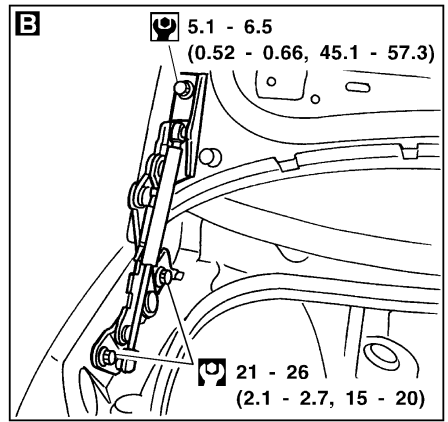
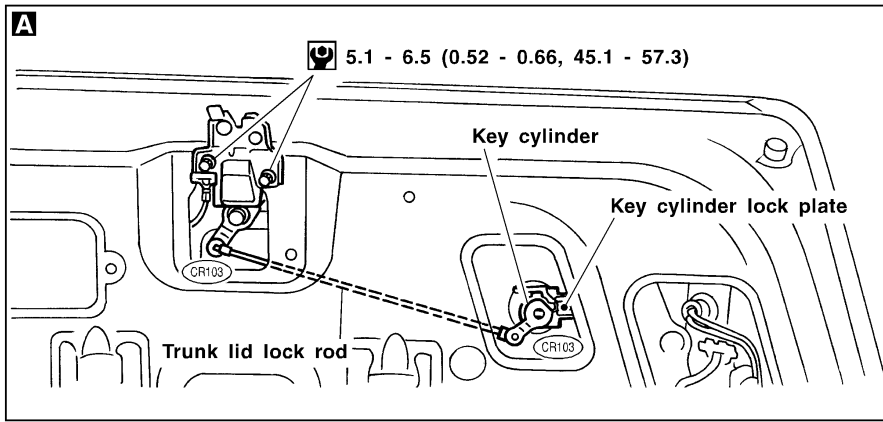
- A** : 5.1 - 6.5 N•m  
(0.52 - 0.66 kg-m, 45.1 - 57.3 in-lb)
- B** : 21 - 26 (2.1 - 2.7, 15 - 20)  
5.1 - 6.5 N•m (0.52 - 0.66 kg-m, 45.1 - 57.3 in-lb)
- L** : 43 - 55 (4.4 - 5.6, 32 - 41)
- G** : N•m (kg-m, ft-lb)

SBT653-A

GI  
MA  
EM  
LC  
EC  
FE  
CL  
MT  
AT  
AX  
SU  
BR  
ST  
RS  
**BT**  
HA  
SC  
EL  
IDX

# BODY REAR END AND OPENER

Removal and Installation (Cont'd)



★: Bumper assembly mounting bolts and clips

: N·m (kg-m, ft-lb)

: N·m (kg-m, in-lb)

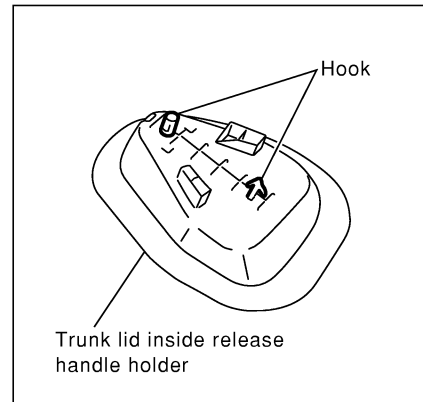
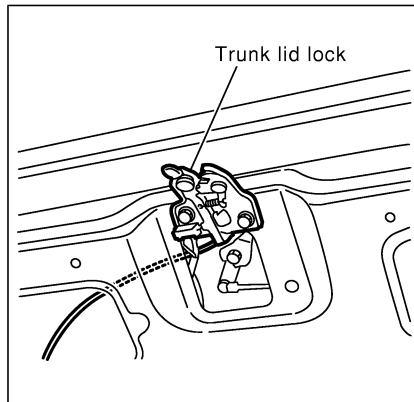
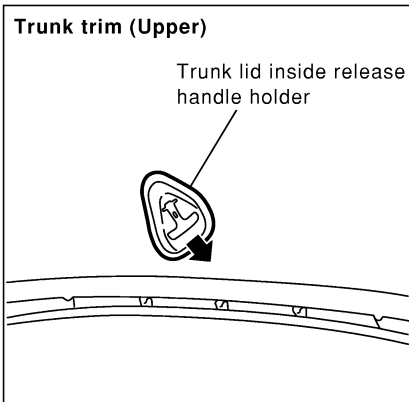
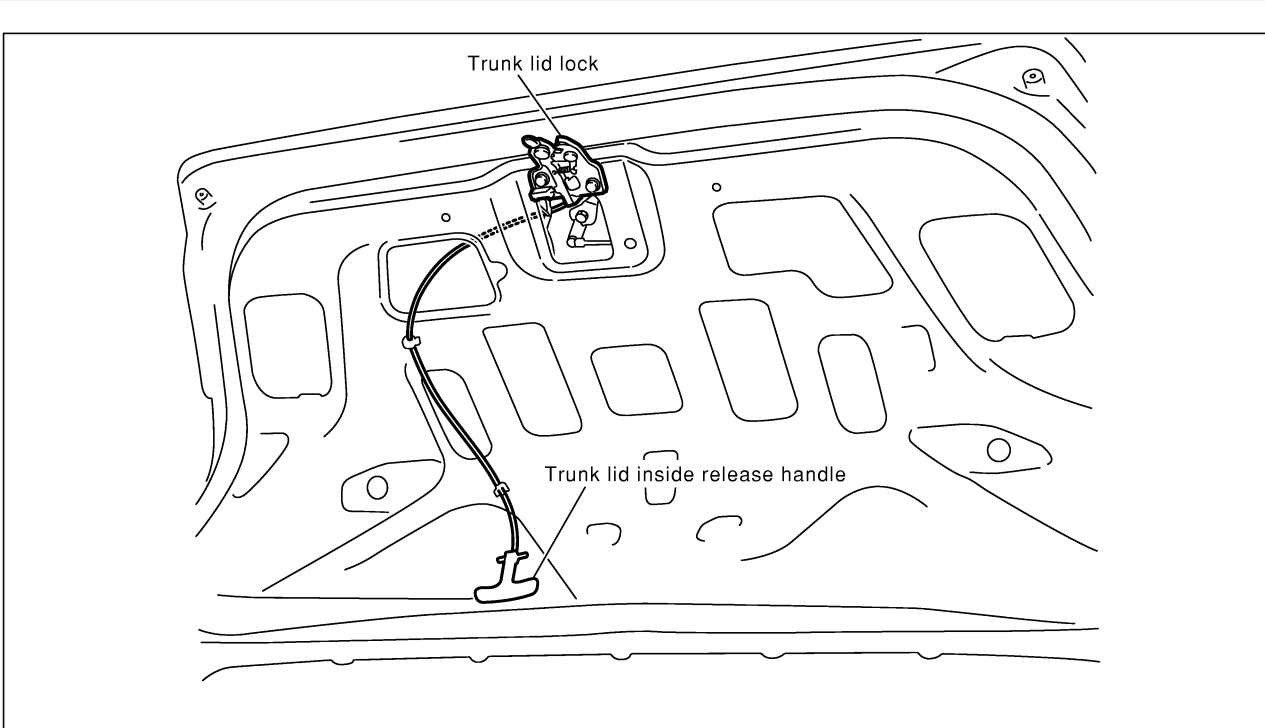
SBT654-A

# BODY REAR END AND OPENER

Removal and Installation (Cont'd)

## TRUNK LID INSIDE RELEASE HANDLE

NCBT0005S02



SBT172A

GI

MA

EM

LC

EC

FE

CL

MT

AT

AX

SU

BR

ST

RS

**BT**

HA

SC

EL

IDX

# FRONT DOOR

Front Door Glass Limit Switch Reset (Driver side only)

## Front Door Glass Limit Switch Reset (Driver side only)

NCBT0028

### RESET CONDITIONS

NCBT0028S01

After each of the following operations are performed, reset the limit switch (with built-in motor).

- Regulator removal and installation
- Removal of motor from regulator
- Operation of regulator as a single unit
- Door glass removal and installation
- Glass run removal and installation

### RESET PROCEDURES

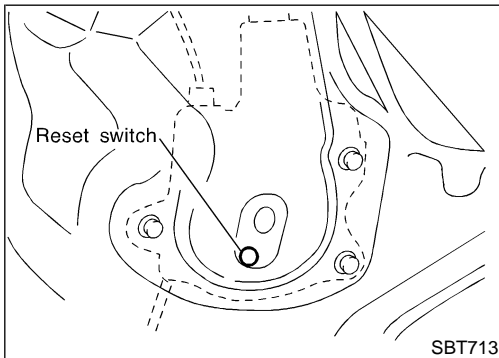
NCBT0028S02

After installing parts, proceed as follows:

1. Close the door window completely.
2. Press down on the reset switch and open the door window completely.
3. Release the reset switch. After making sure the reset switch has returned to the original position, close the door window completely.
4. The limit switch is now reset.

### CAUTION:

Be sure to manually open or close the door window. (Do not use the automatic open-close procedures.)



# FRONT DOOR

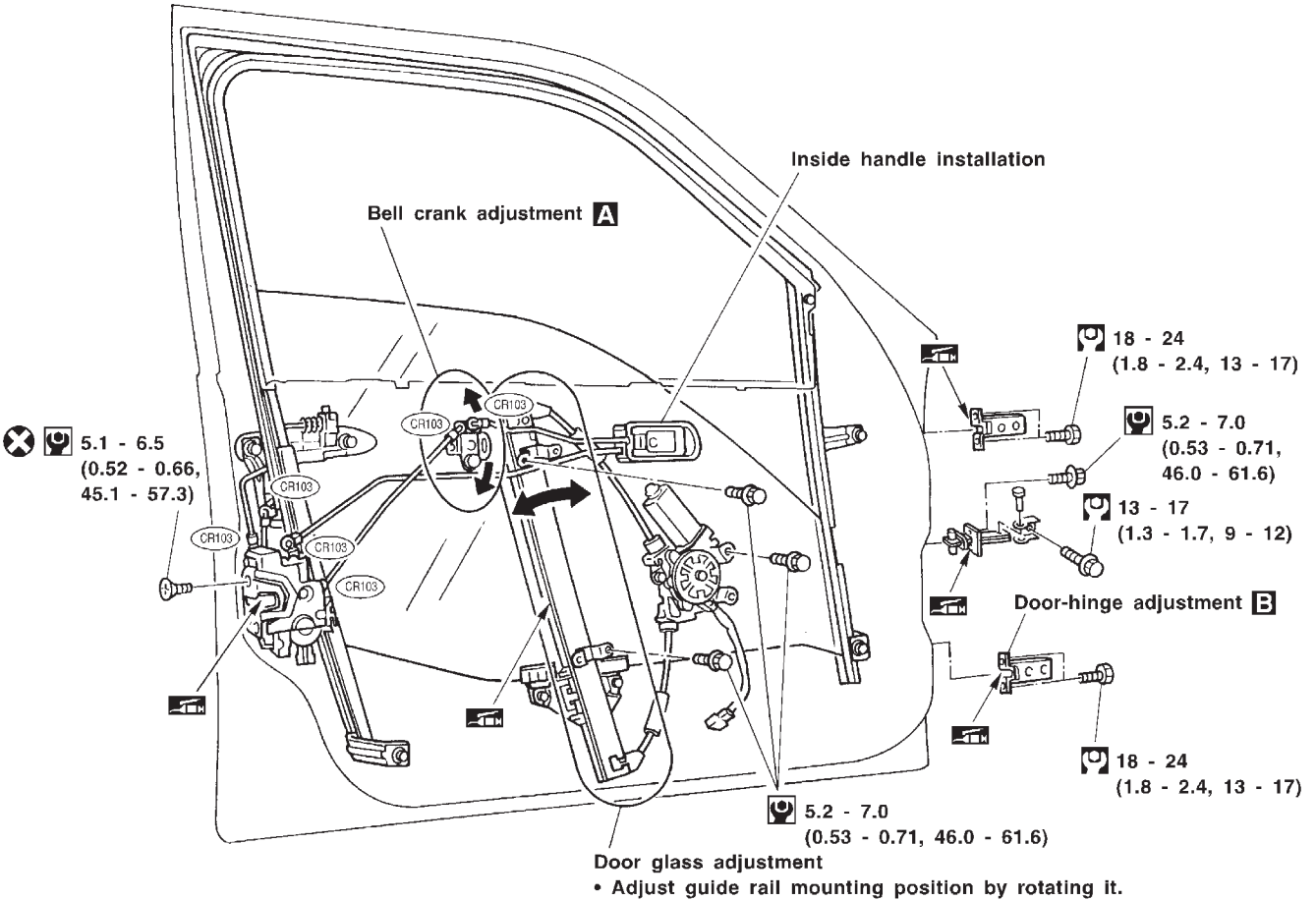
Overhaul

## Overhaul

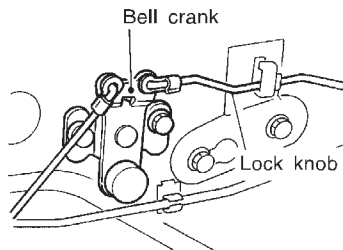
=NCBT0006

- For removal of door trim, refer to "DOOR TRIM" (BT-29).
- After adjusting door or door lock, check door lock operation.

SEC. 800•803•805

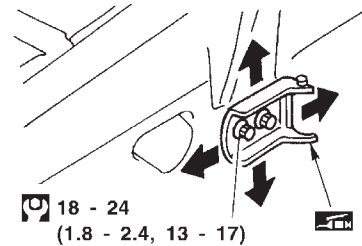


### A Bell crank adjustment

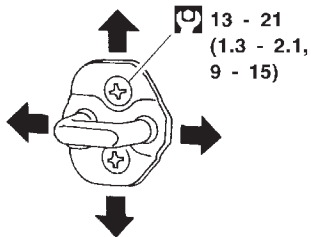


Lock door after setting door lock assembly and inside handle in position. Move bell crank in direction of arrow (shown in figure at left) to take up knob free play, and secure with bolts.

### B Door-hinge adjustment



### Striker adjustment



: N·m (kg-m, in-lb)

: N·m (kg-m, ft-lb)

SBT643

GI  
MA  
EM  
LC  
EC  
FE  
CL  
MT  
AT  
AX  
SU  
BR  
ST  
RS  
BT  
HA  
SC  
EL  
IDX

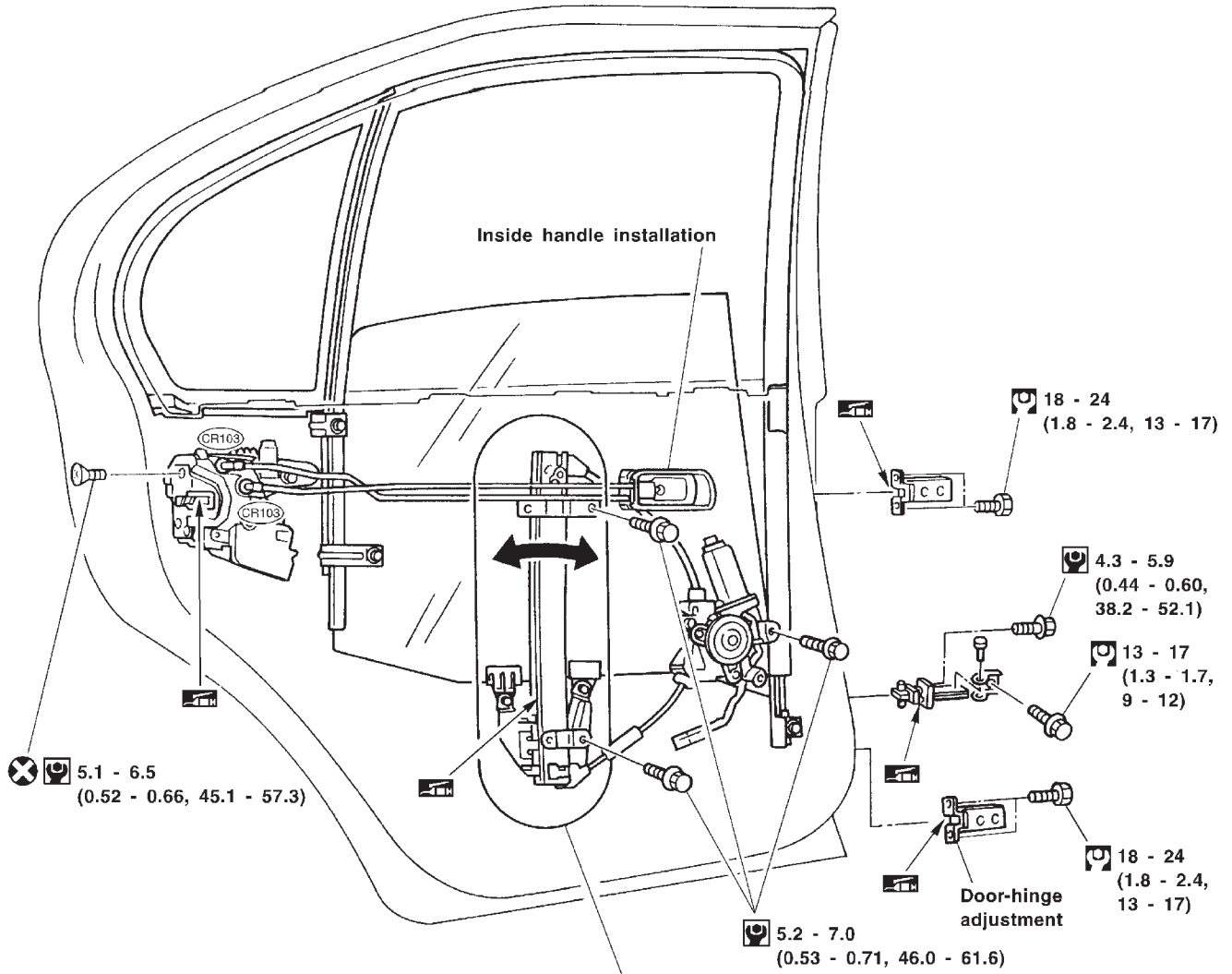
# REAR DOOR

Overhaul

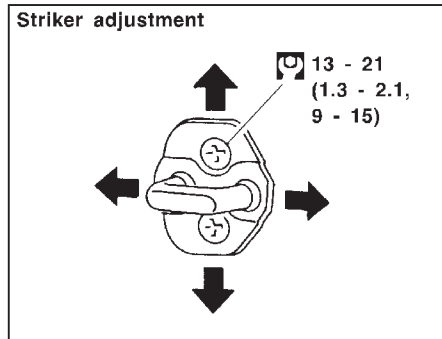
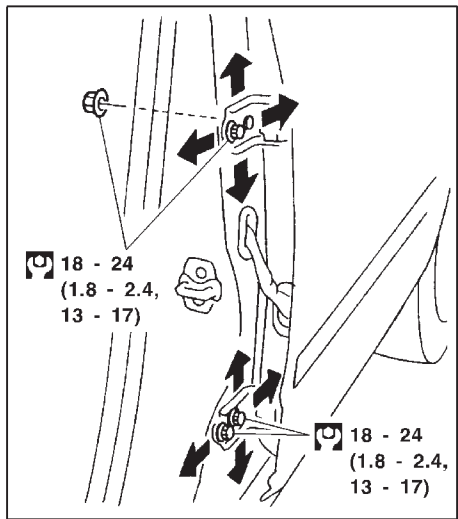
## Overhaul

NCBT0007

SEC. 820•823•825



Door glass adjustment  
• Adjust guide rail mounting position by rotating it.



: N•m (kg-m, in-lb)  
 : N•m (kg-m, ft-lb)

SBT650

## Removal and Installation

NCBT0008

**CAUTION:**

- Disconnect both battery cables in advance.
- Disconnect air bag system line in advance.
- Never tamper with or force air bag lid open, as this may adversely affect air bag performance.
- Be careful not to scratch pad and other parts.
- Wrap the tip of a flat-bladed screwdriver with a cloth when removing metal clips from garnishes.

GI

MA

EM

LC

EC

FE

CL

MT

AT

AX

SU

BR

ST

RS

**BT**

HA

SC

EL

IDX

# INSTRUMENT PANEL ASSEMBLY

## Removal and Installation (Cont'd)

Instrument panel assembly	Combination meter	Audio & A/C control	Console box
Remove air bag module (driver) and steering wheel. Refer to RS-(*2), "SUPPLEMENTAL RESTRAINT SYSTEM".			
Remove dash side lower finishers. Refer to "SIDE AND FLOOR TRIM" for details,*1.			
① Steering column cover and combination switch • Remove screws and harness connectors.			
② Instrument lower panel on driver side • Remove screws.			<b>B</b>
③ Instrument lower reinforcement • Remove bolts.			
	Remove steering column mounting nuts. Refer to ST-(*3), "STEERING WHEEL AND STEERING COLUMN" for details.		
④ Cluster lid C • Remove screws then disconnect harness connectors.			<b>C</b>
⑤ Cluster lid A • Remove screws then disconnect harness connectors.			<b>D</b>
⑥ Combination meter • Remove screws then disconnect harness connectors.			
⑦ Audio • Remove bolts then disconnect harness connectors.			
⑧ A/C control unit • Remove screws then disconnect harness connectors.			
⑨ Console M/T or A/T finisher			<b>E</b>
⑩ Console box assembly • Remove screws then disconnect harness connectors.			<b>F</b>
⑪ Glove box assembly • Remove screws and glove box lamp socket.			<b>G</b>
⑫ Passenger air bag module • Refer to RS-(*4), "SUPPLEMENTAL RESTRAINT SYSTEM".			
⑬ Lower instrument cover • Remove clip.			<b>H</b>
⑭ Lower instrument panel center • Remove screws.			<b>I</b>
⑮ Defroster grille • Disconnect connectors.			<b>J</b>
⑯ Front pillar garnish • Refer to "SIDE AND FLOOR TRIM" for details,*1.			
⑰ Instrument panel and pads • Remove bolts and nuts.			

SBT661-A

\*1: BT-27  
\*2: RS-19

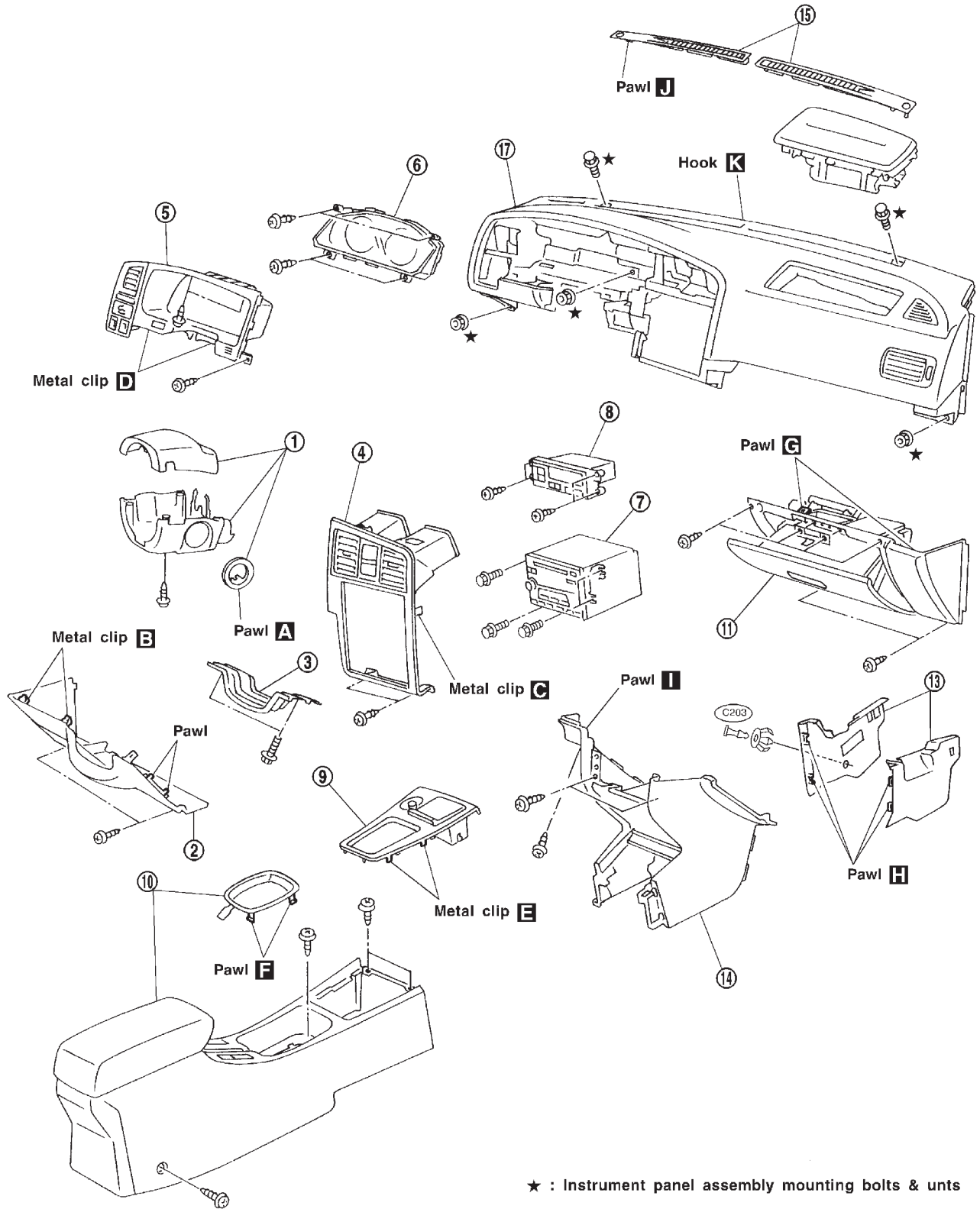
\*3: ST-10

\*4: RS-22



# INSTRUMENT PANEL ASSEMBLY

Removal and Installation (Cont'd)

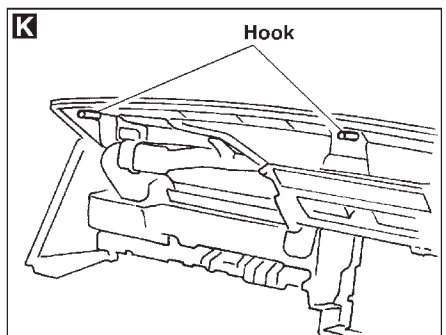
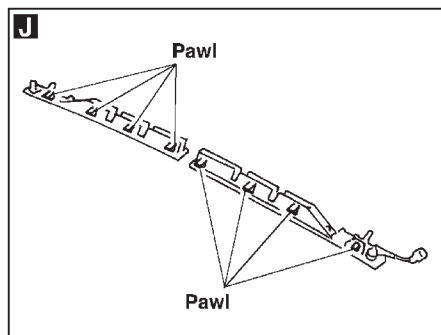
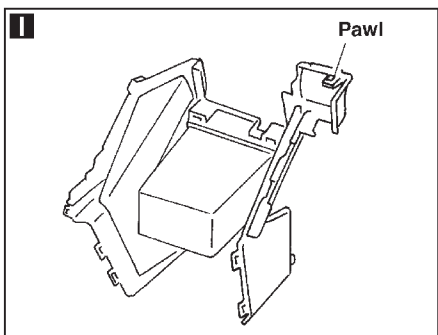
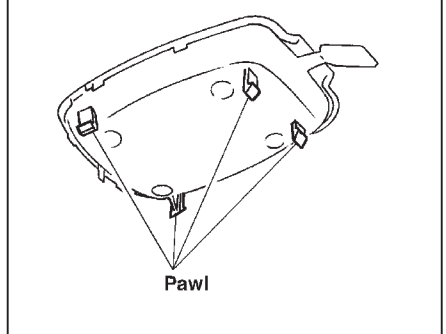
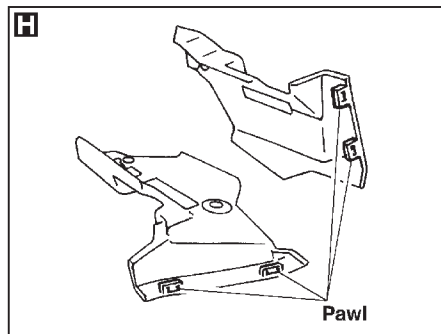
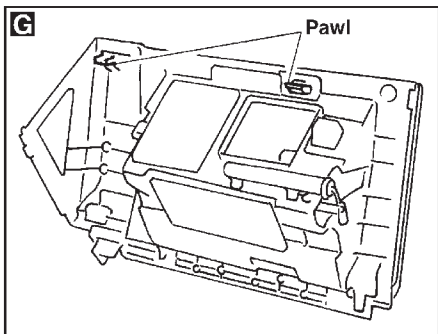
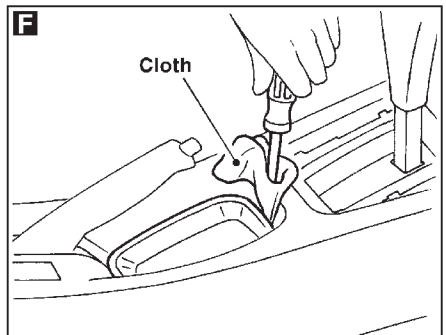
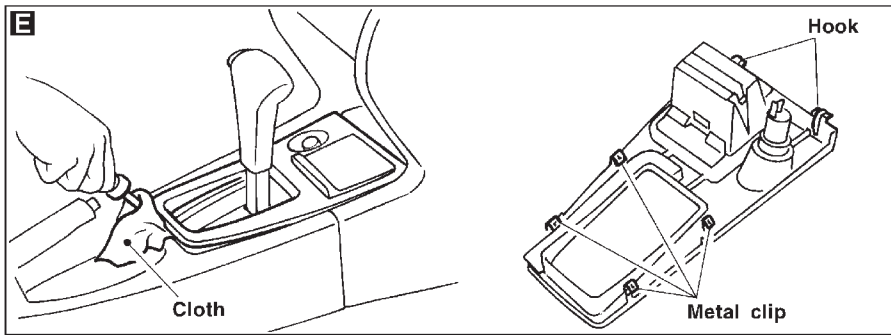
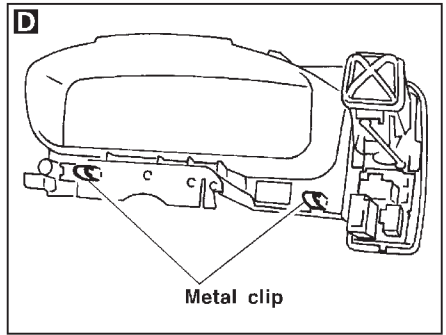
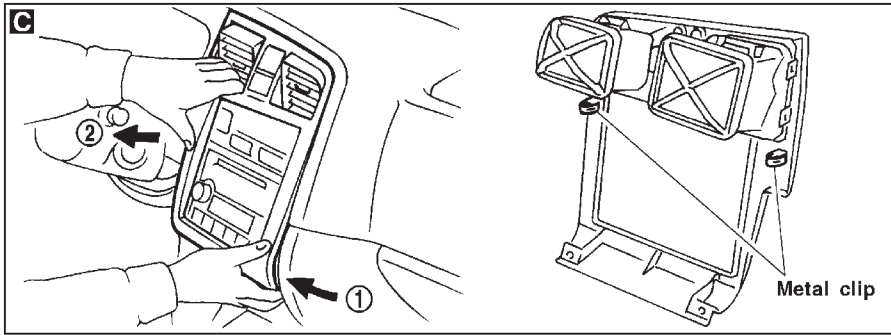
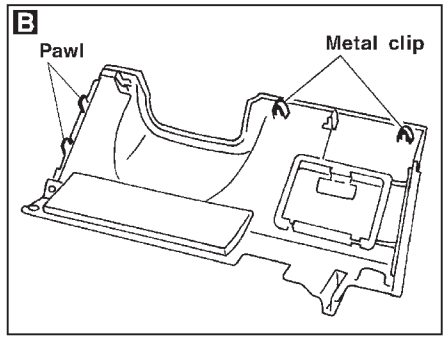
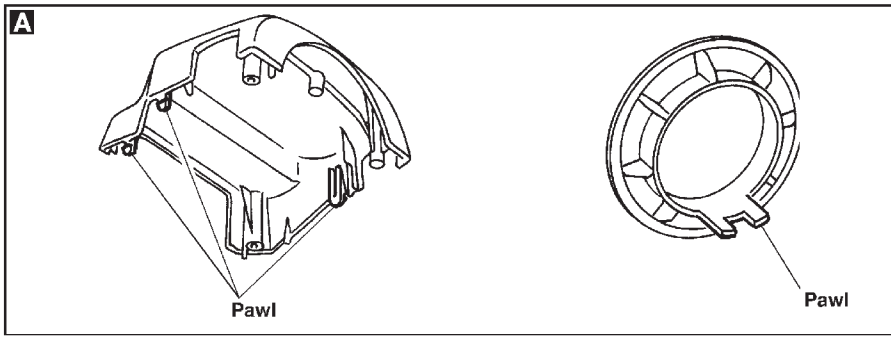


GI  
MA  
EM  
LC  
EC  
FE  
CL  
MT  
AT  
AX  
SU  
BR  
ST  
RS  
BT  
HA  
SC  
EL  
IDX

SBT644

# INSTRUMENT PANEL ASSEMBLY

Removal and Installation (Cont'd)



SBT645

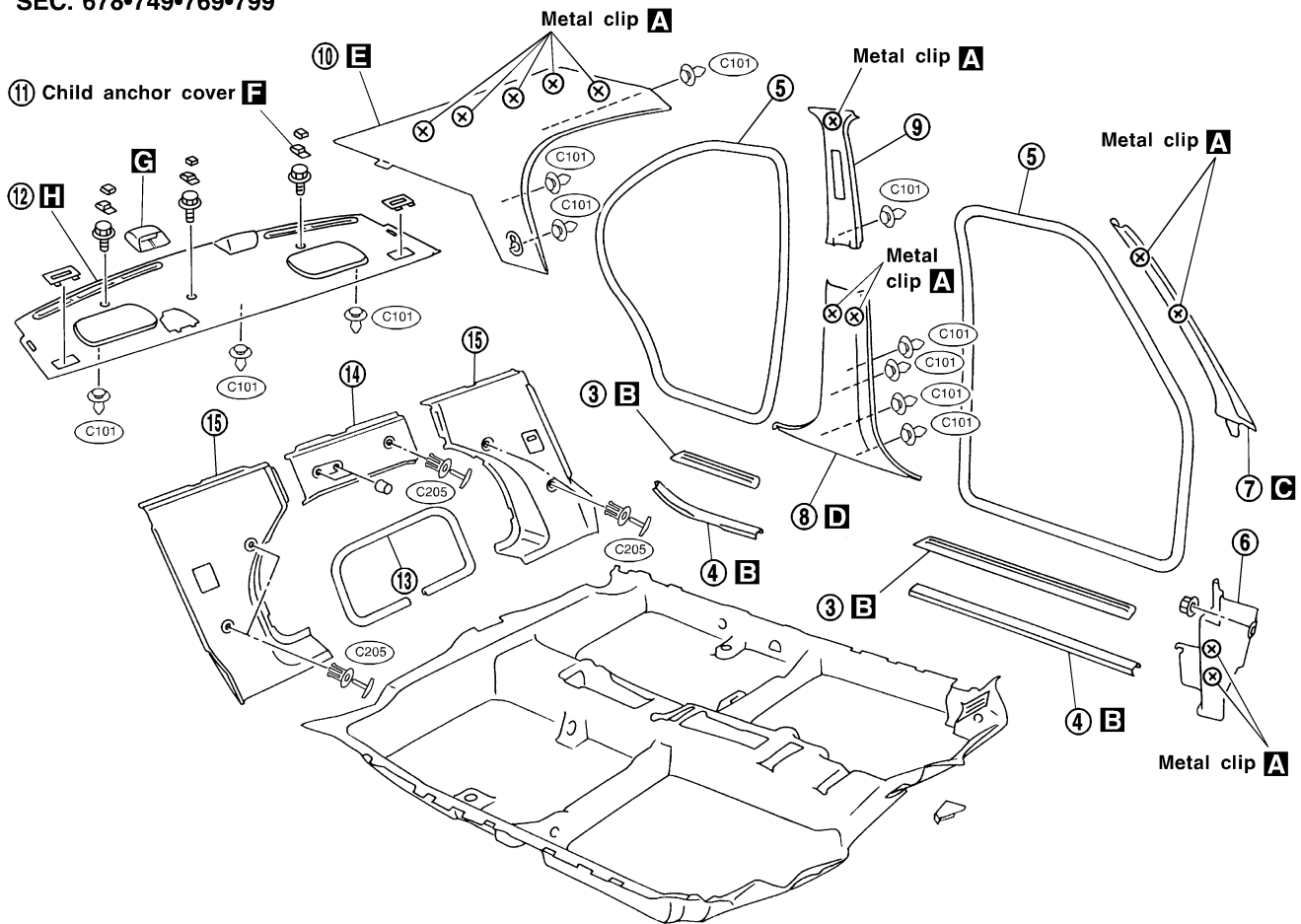
## Removal and Installation

**CAUTION:**

Wrap the tip of flat-bladed screwdriver with a cloth when removing metal clips from garnishes.

1. Remove front and rear seats. Refer to "FRONT SEAT" and "REAR SEAT" for details, BT-40 and BT-43.
2. Remove front and rear seat belts. Refer to "SEAT BELTS" in RS section for details.
3. Remove front and rear outer kicking plates. **B**
4. Remove front and rear inner kicking plates. **B**
5. Remove front and rear body side welts.
6. Remove dash side lower finishers.
7. Remove front pillar garnishes. **C**
8. Remove center pillar lower garnishes. **D**
9. Remove center pillar upper garnishes.
10. Remove rear pillar garnishes. **E**
11. Remove child anchor cover and child anchor bolt. **F**  
(For high-mounted stop lamp, refer to detail **J** .)
12. Remove rear parcel shelf. **H**
13. Remove seatback welt.
14. Remove seatback center finisher.
15. Remove seatback side finishers.

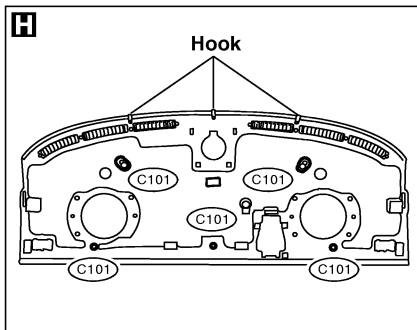
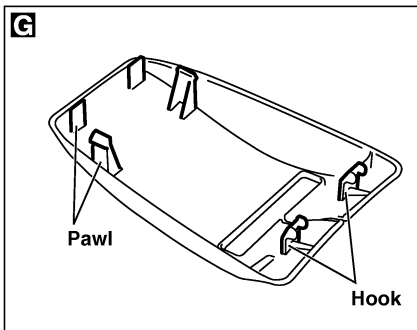
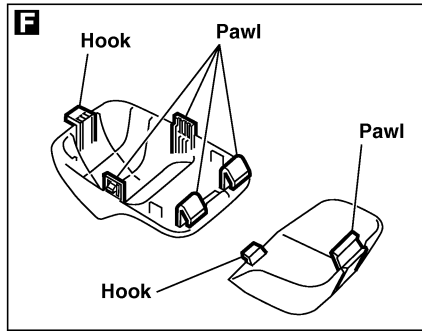
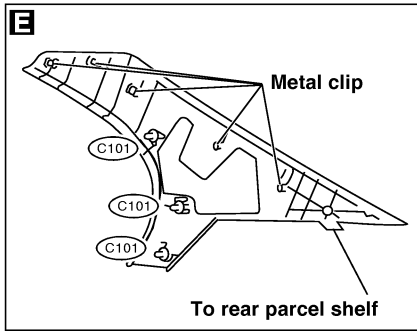
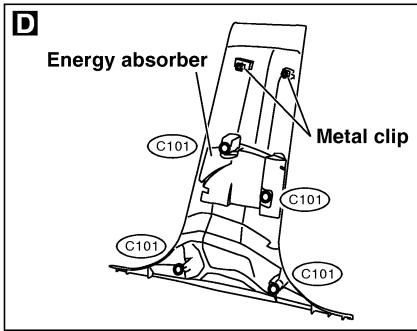
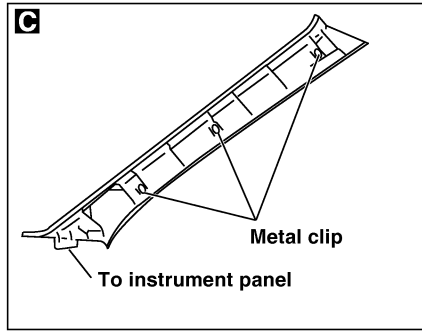
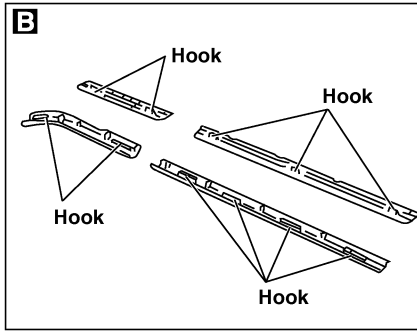
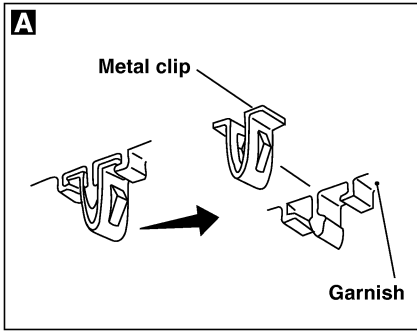
SEC. 678•749•769•799



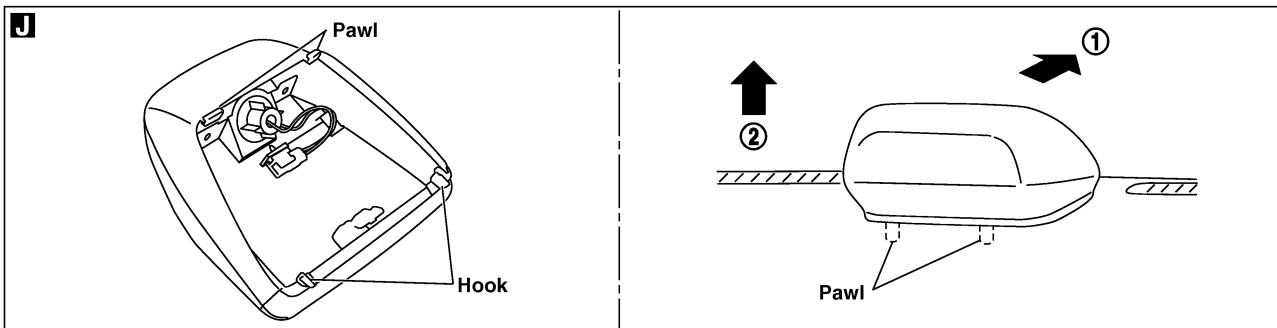
GI  
MA  
EM  
LC  
EC  
FE  
CL  
MT  
AT  
AX  
SU  
BR  
ST  
RS  
BT  
HA  
SC  
EL  
IDX

# SIDE AND FLOOR TRIM

Removal and Installation (Cont'd)



Remove high-mounted stop lamp. (Models without rear air spoiler)



SBT853

## Removal and Installation

NCBT0010

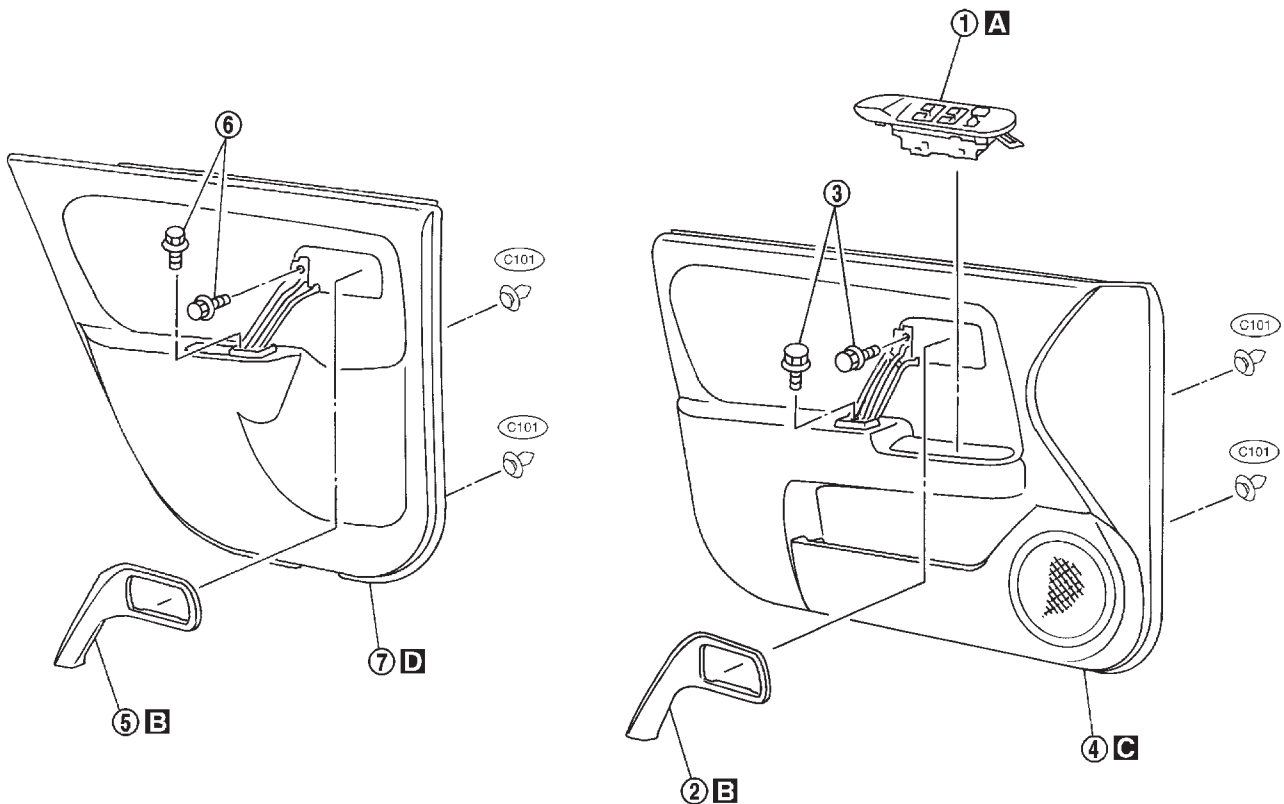
### Front Door Trim

1. Remove power window switch, then disconnect the connector. **A**
2. Remove inside handle escutcheon. **B**
3. Remove bolts securing door finisher.
4. Pull on door finisher to remove clips from door panel and remove door finisher. **C**

### Rear Door Trim

5. Remove inside handle escutcheon. **B**
6. Remove bolts securing door finisher.
7. Pull on door finisher to remove clips from door panel and remove door finisher, then disconnect power window switch connector. **D**

SEC. 251•809•828

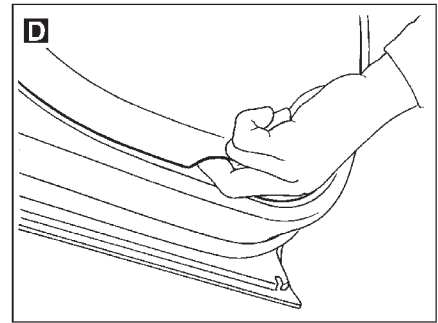
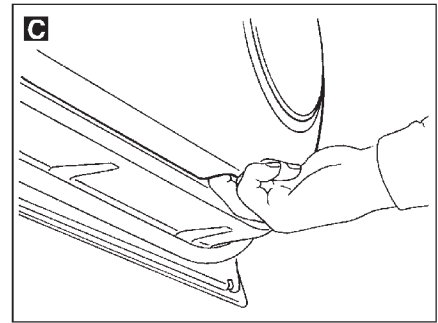
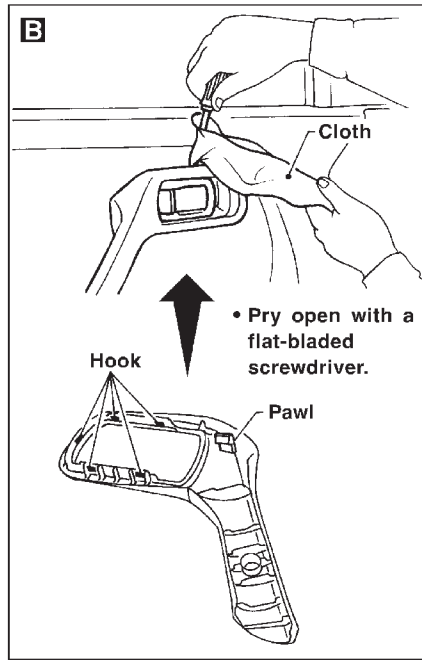
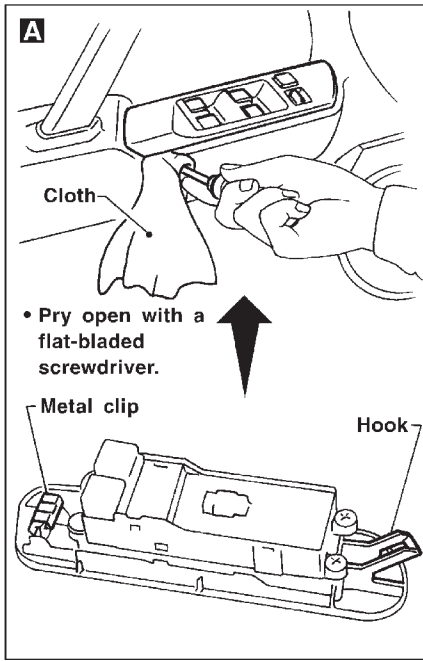


GI  
MA  
EM  
LC  
EC  
FE  
CL  
MT  
AT  
AX  
SU  
BR  
ST  
RS  
BT  
HA  
SC  
EL  
IDX

SBT392

# DOOR TRIM

Removal and Installation (Cont'd)



SBT393

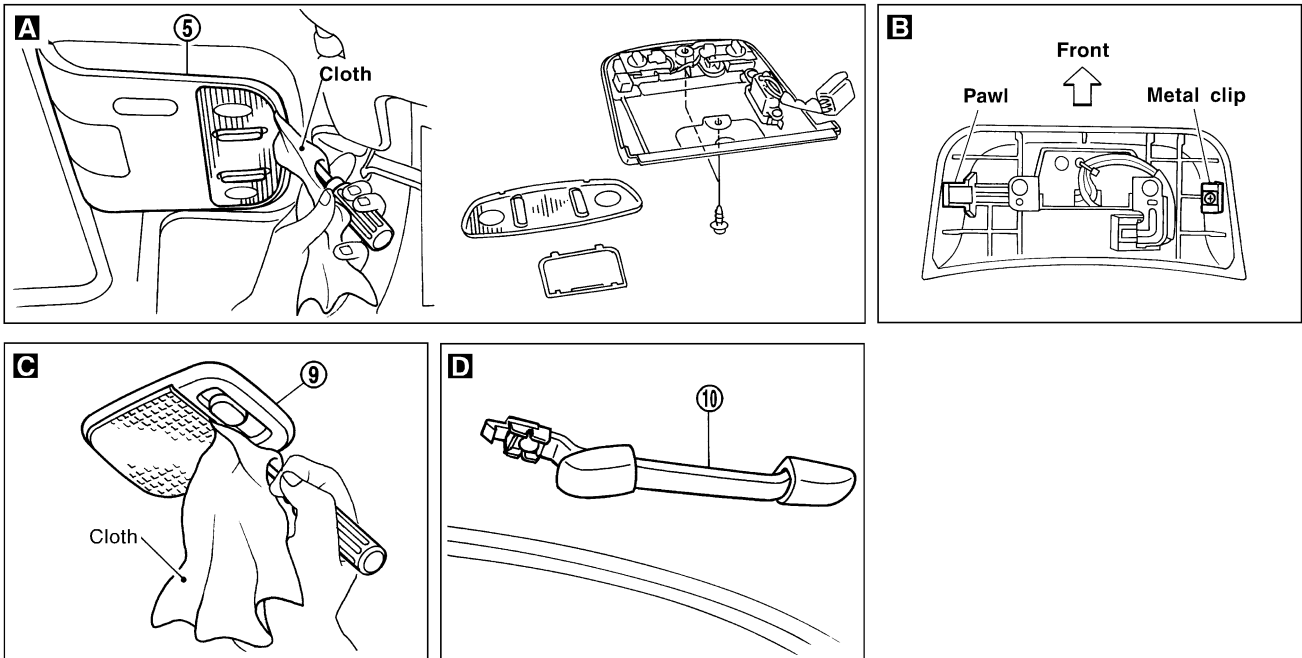
## Removal and Installation

NCBT0011

**CAUTION:**

- When removing or installing body side welts, do not allow butyl seal to come in contact with pillar garnish and headlining.
  - Wrap the tip of a flat-bladed screwdriver with a cloth when removing metal clips and lenses.
1. Remove rear seats. Refer to "REAR SEAT" for details, BT-43.
  2. Remove shoulder anchor bolts. Refer to RS-4, "Front Seat Belt" for details.
  3. Remove front pillar garnishes, center pillar upper garnishes and rear pillar garnishes. Refer to "SIDE AND FLOOR TRIM" for details, BT-33.
  4. Remove steering wheel. Refer to RS-19, "Driver Air Bag Module and Spiral Cable" for details.
  5. Remove push back the front seat back.
  6. Remove sunroof switch or spot lamp switch and IVCS switch. **A B**
  7. Remove sunroof welt.
  8. Remove sun visors.
  9. Remove interior lamp. **C**
  10. Remove assist grips. **D**
  11. Remove clips securing headlining.
  12. Remove headlining.

GI  
MA  
EM  
LC  
EC  
FE  
CL  
MT  
AT  
AX  
SU  
BR  
ST  
RS  
BT  
HA  
SC  
EL  
IDX

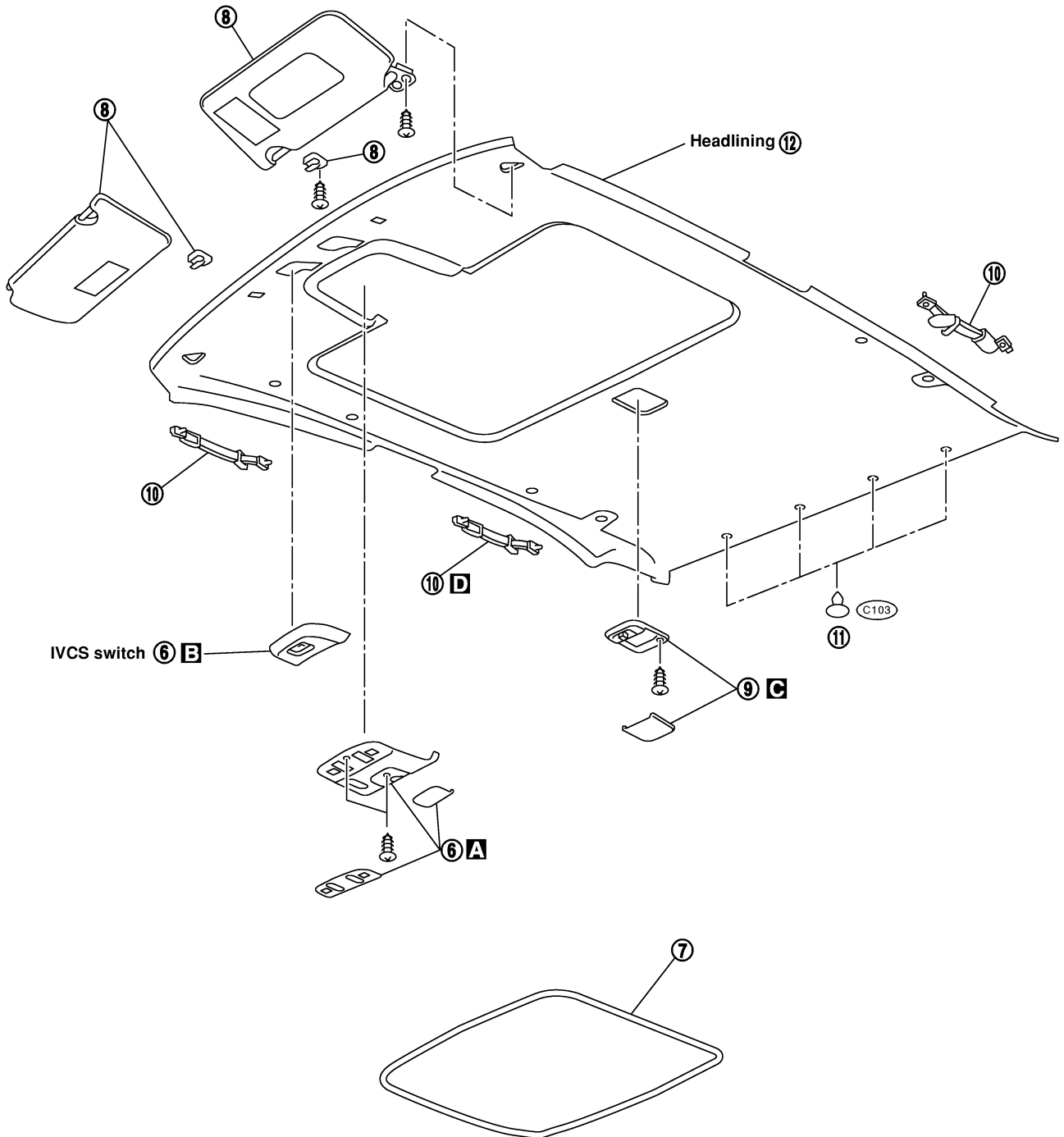


SBT854

# ROOF TRIM

Removal and Installation (Cont'd)

SEC. 246-734-964



SBT855



## Removal and Installation

NCBT0012

SEC. 849

GI

MA

EM

LC

EC

FE

CL

MT

AT

AX

SU

BR

ST

RS

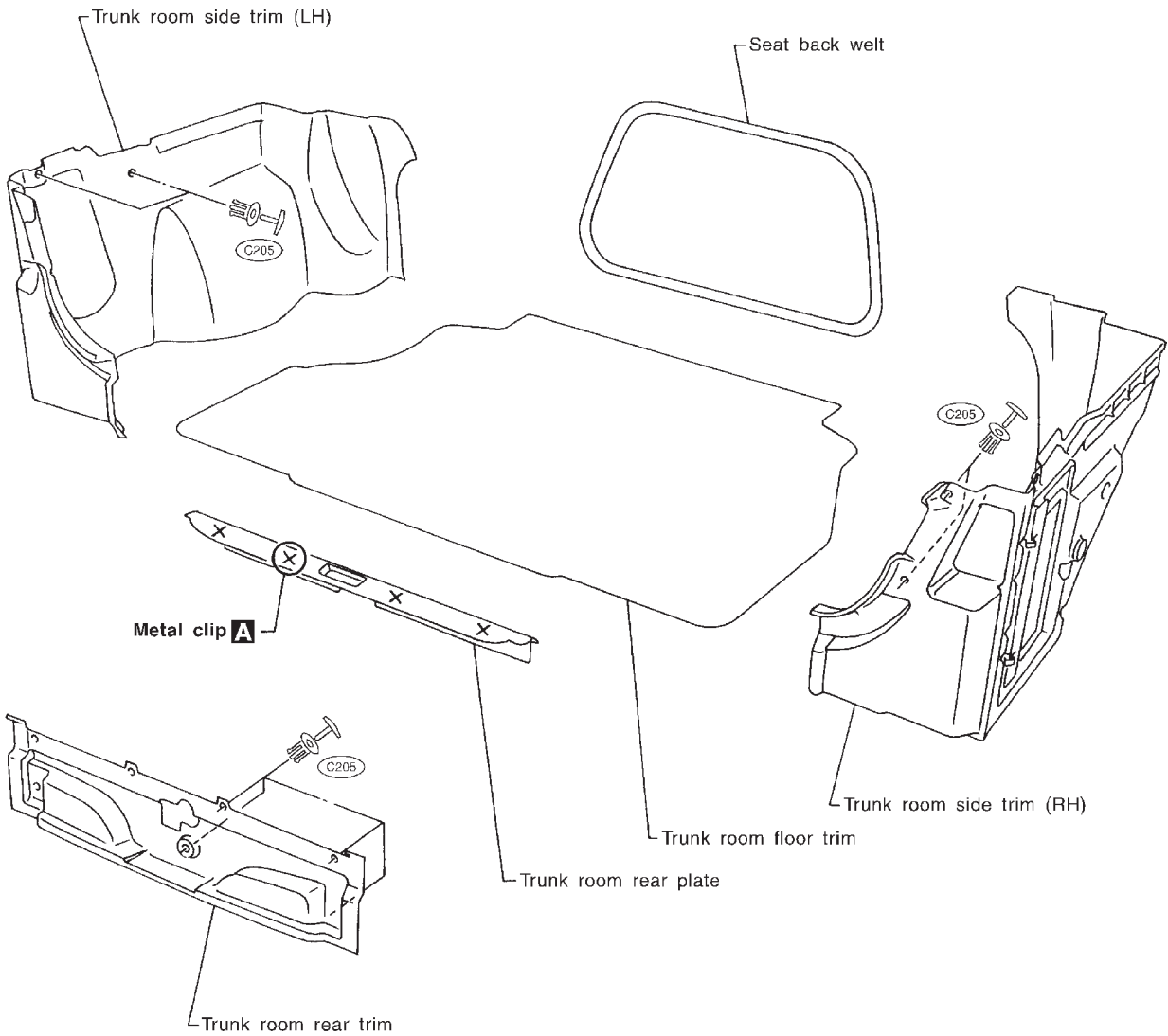
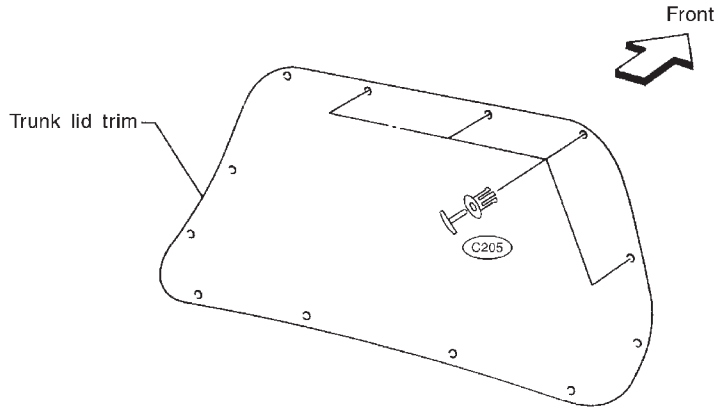
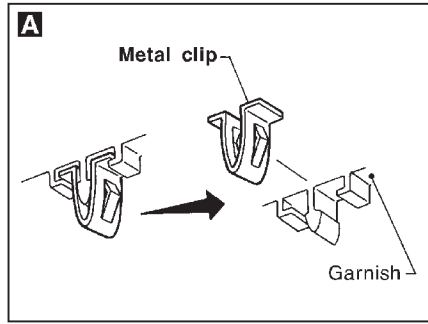
**BT**

HA

SC

EL

IDX

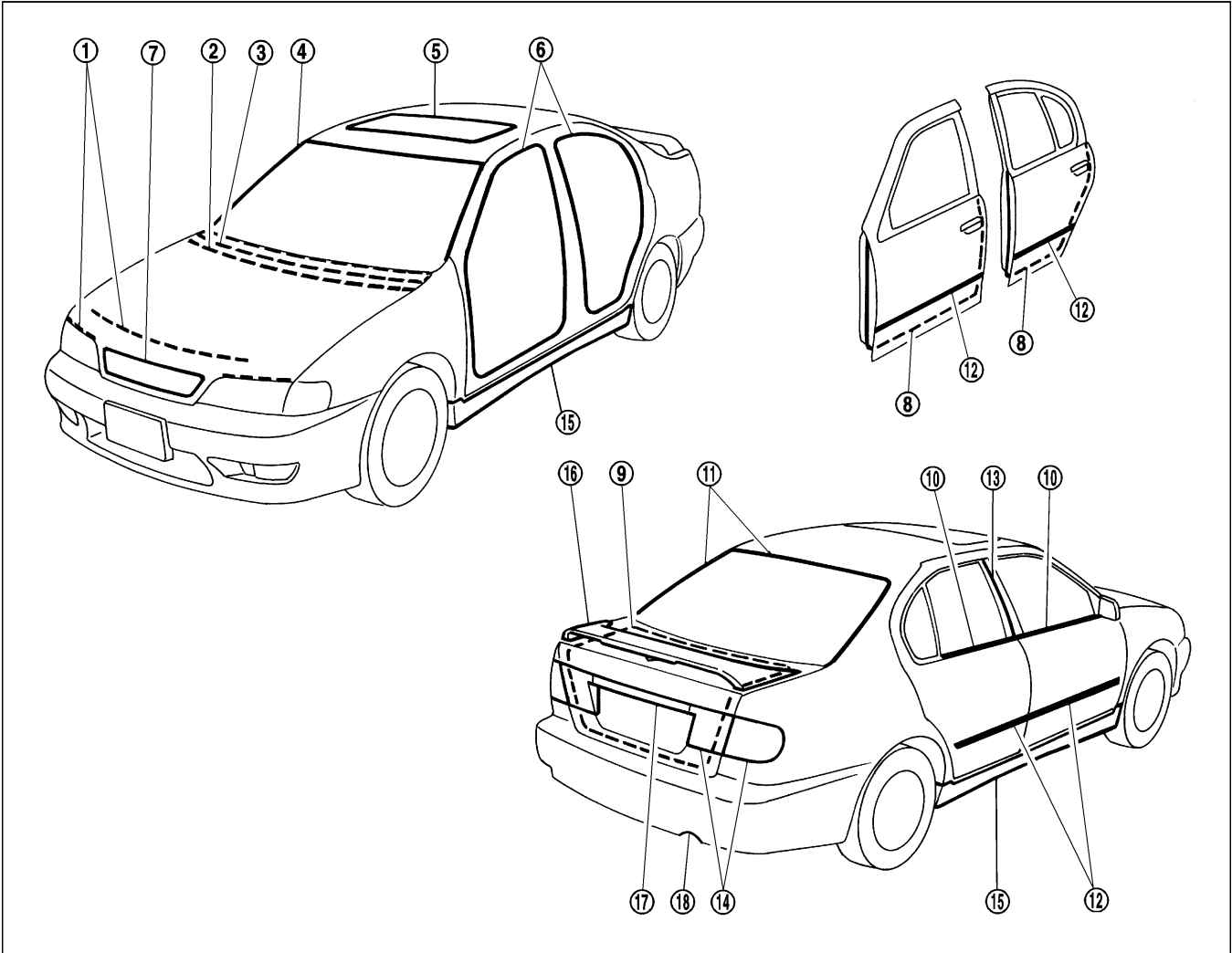


# EXTERIOR

Removal and Installation

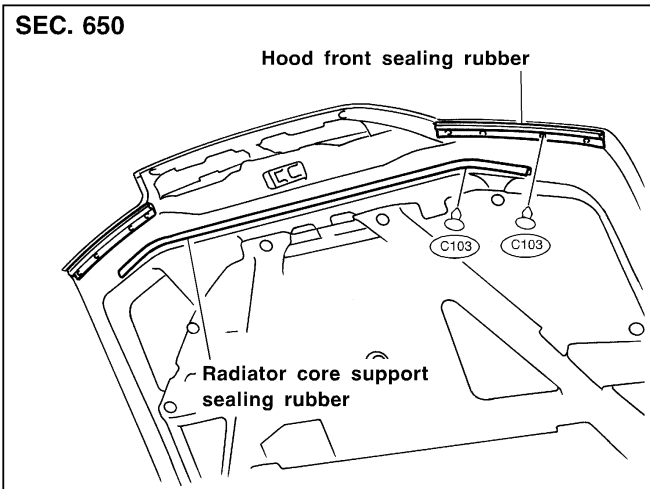
## Removal and Installation

NCBT0013



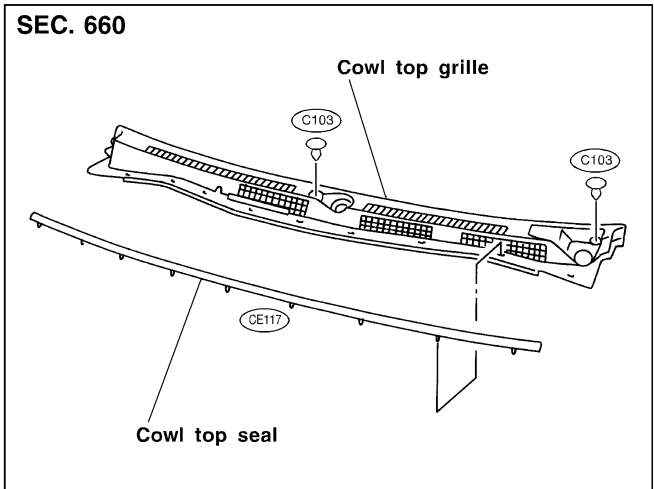
### ① Hood front sealing rubber

SEC. 650



### ② ③ Cowl top seal and cowl top grille

SEC. 660



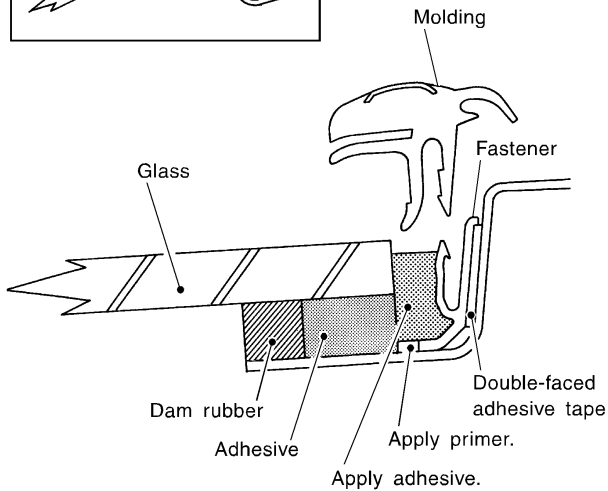
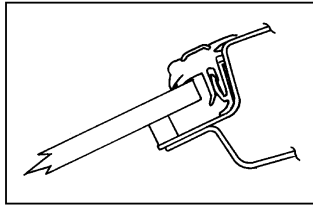
SBT856

## ④ Front windshield molding

### • Upper molding

#### SEC. 720

1. Cut off adhesive at glass end.
2. Remove old adhesive from panel surface.
3. Set molding fastener and apply primer to body panel, and apply adhesive to body.



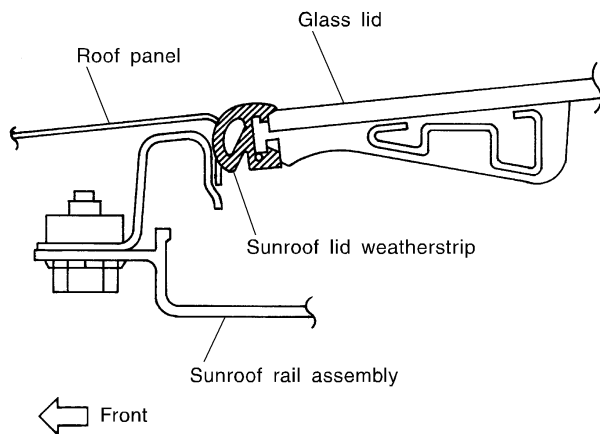
4. Install molding by aligning the molding mark located on center with vehicle center. Be sure to install tightly so that there is no gap around the corner.

### • Side molding

Mounted with screws.

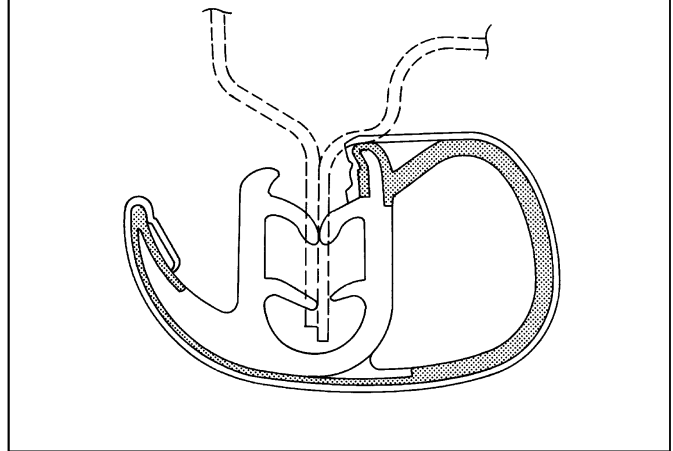
## ⑤ Sunroof lid weatherstrip

#### SEC. 736



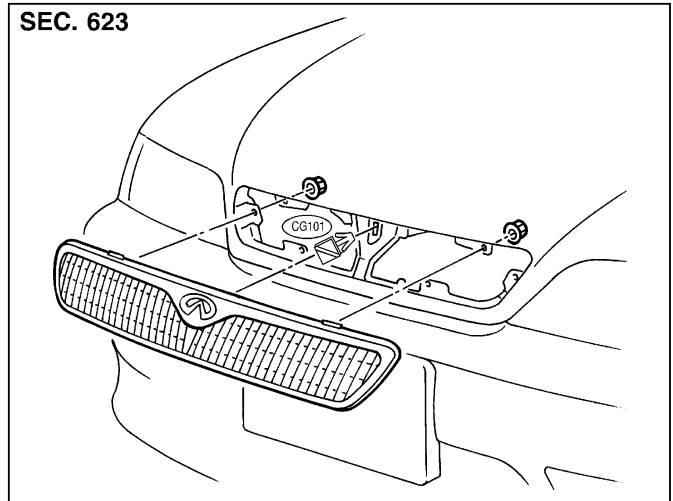
## ⑥ Body side welt

#### SEC. 769



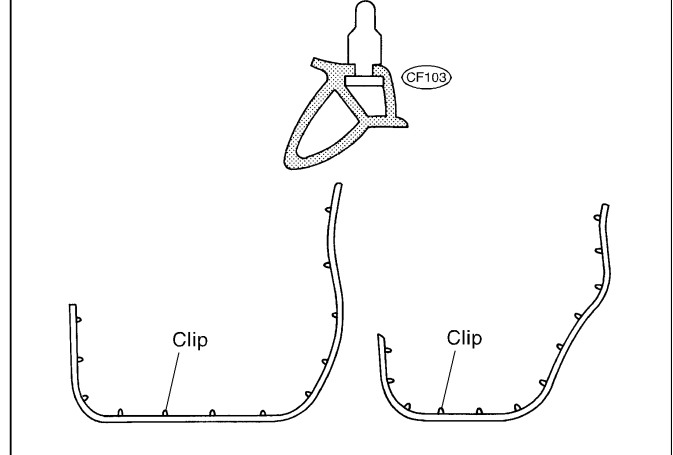
## ⑦ Front hood grille

#### SEC. 623



## ⑧ Door weatherstrip

#### SEC. 800•820



GI

MA

EM

LC

EC

FE

CL

MT

AT

AX

SU

BR

ST

RS

**BT**

HA

SC

EL

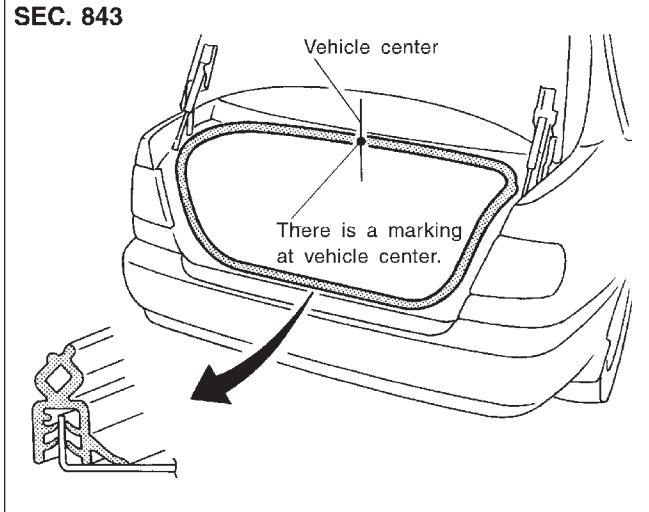
IDX

# EXTERIOR

Removal and Installation (Cont'd)

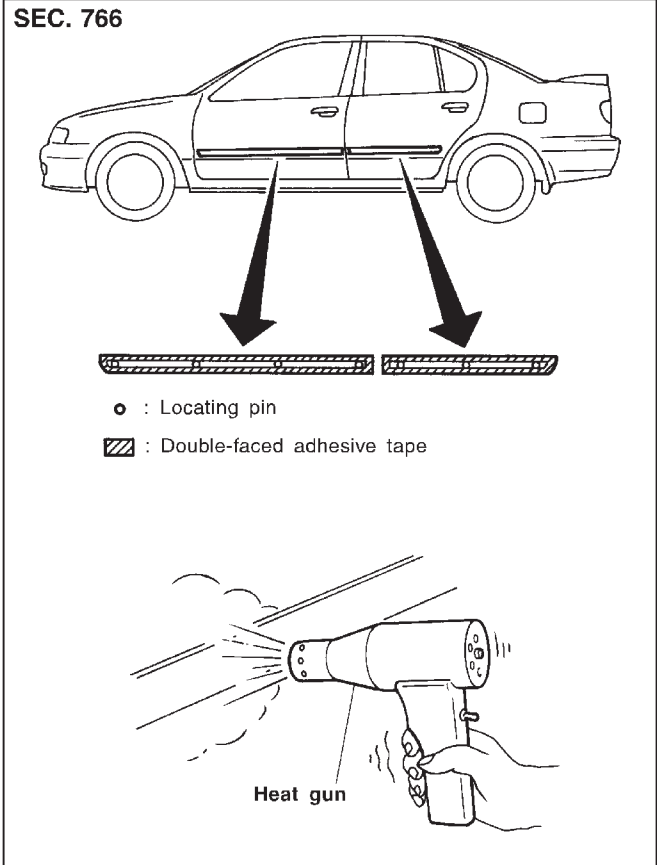
## ⑨ Trunk lid weatherstrip

SEC. 843



## ⑫ Side guard molding

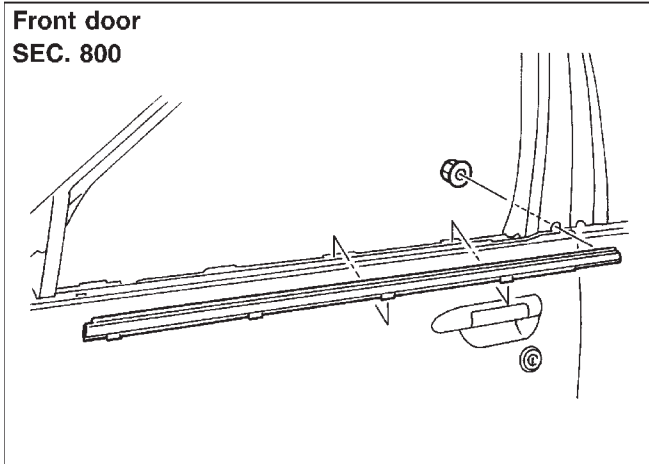
SEC. 766



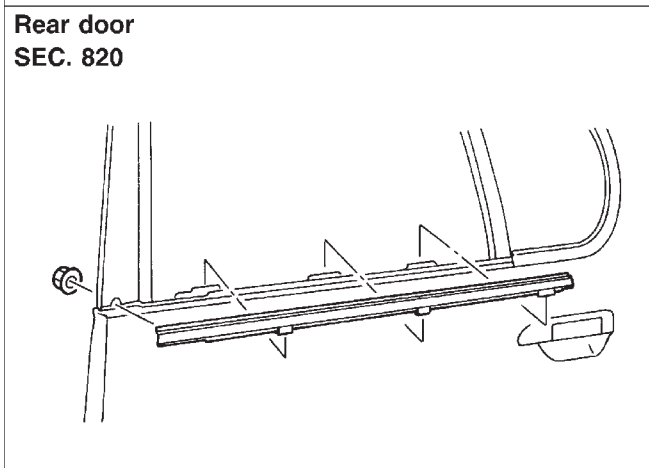
- With a vehicle coated with Hard Clear Coat, use double-faced 3M adhesive tape Product No. 4210 or equivalent, after priming with 3M primer Product No. N-200 or C-100 or equivalent.

## ⑩ Door outside molding

Front door  
SEC. 800



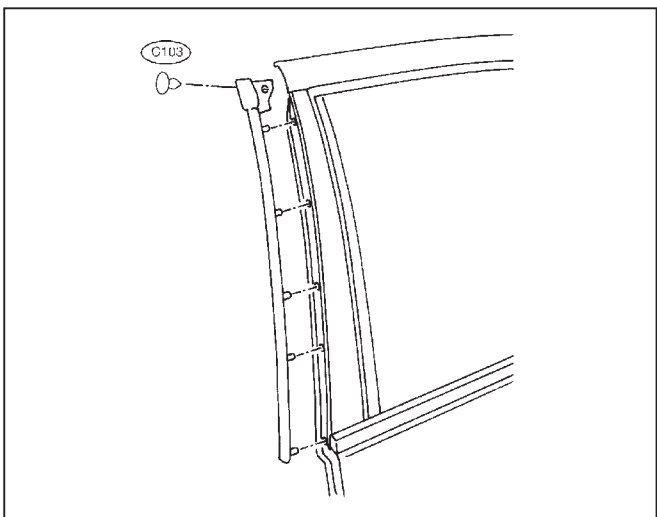
Rear door  
SEC. 820



## ⑪ Rear window molding

Basically the same as front windshield molding.  
Refer to ④ Front windshield molding.

## ⑬ Front door parting seal

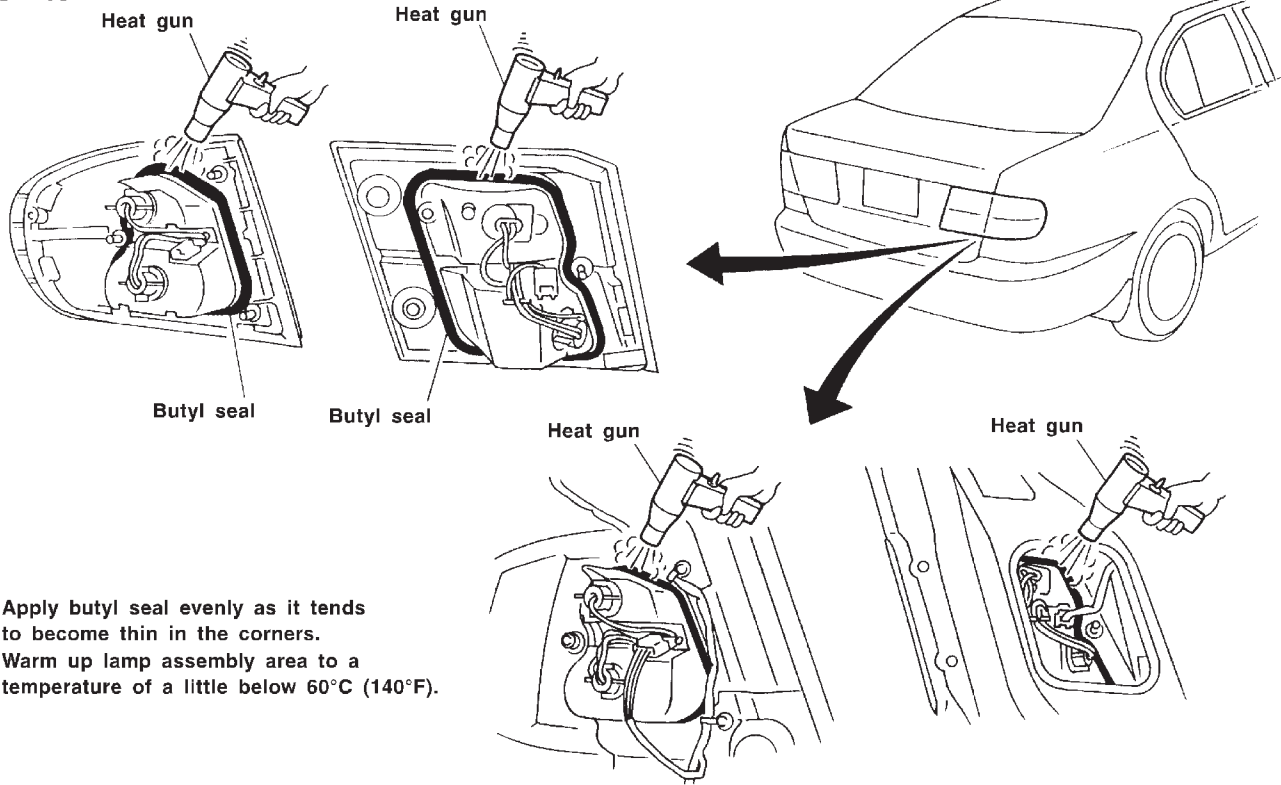


SBT657

## ⑭ Rear combination lamp

- Rear combination lamps are installed with nuts and butyl seal.

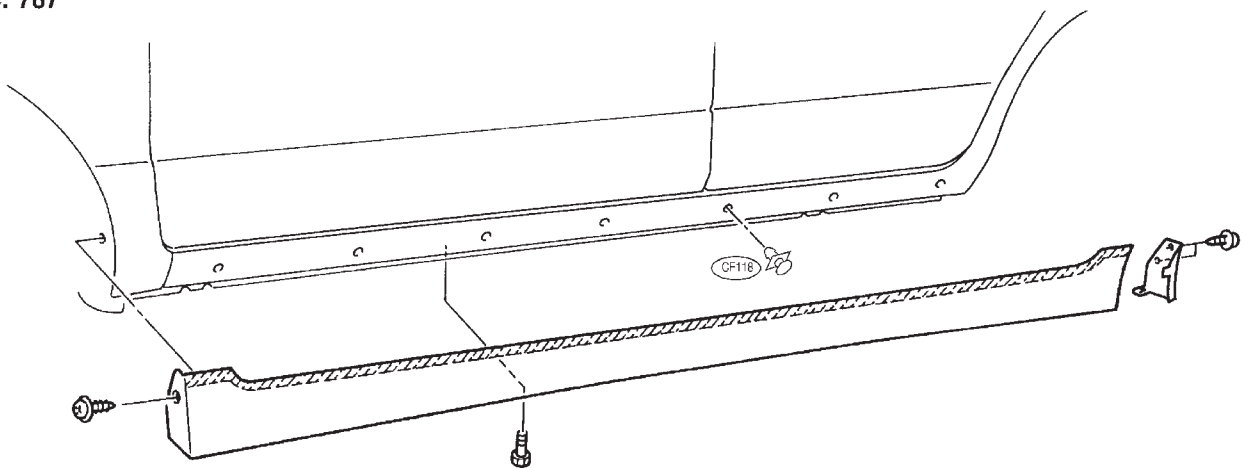
### SEC. 265



- Apply butyl seal evenly as it tends to become thin in the corners.
- Warm up lamp assembly area to a temperature of a little below 60°C (140°F).

## ⑮ Center mudguard

### SEC. 767



 : Double-faced adhesive tape

- With a vehicle coated with Hard Clear Coat, use double-faced 3M adhesive tape Product No. 4210 or equivalent, after priming with 3M primer Product No. N-200 or C-100 or equivalent.

SBT658

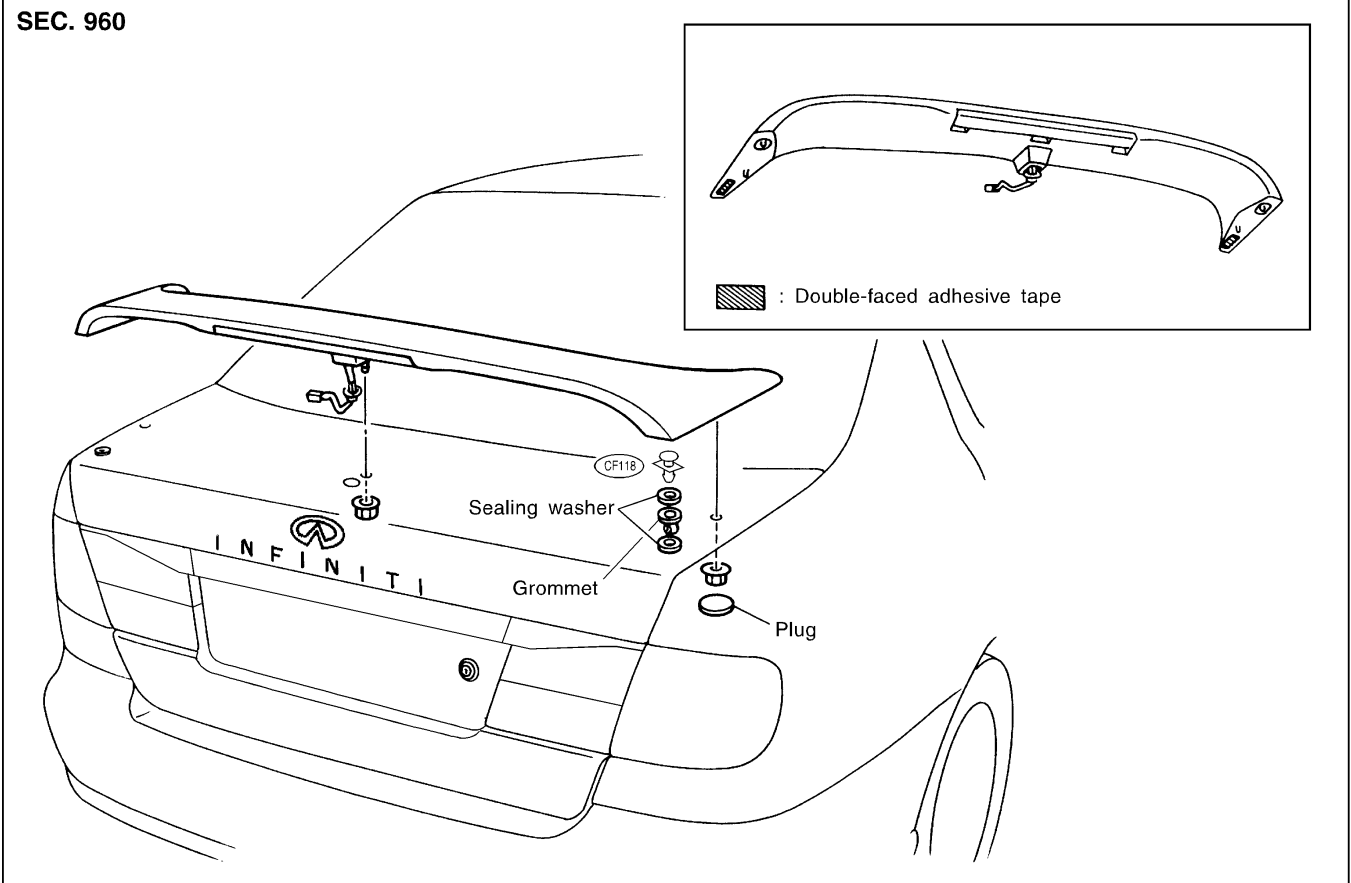
GI  
MA  
EM  
LC  
EC  
FE  
CL  
MT  
AT  
AX  
SU  
BR  
ST  
RS  
BT  
HA  
SC  
EL  
IDX

# EXTERIOR

Removal and Installation (Cont'd)

## 16 Rear air spoiler

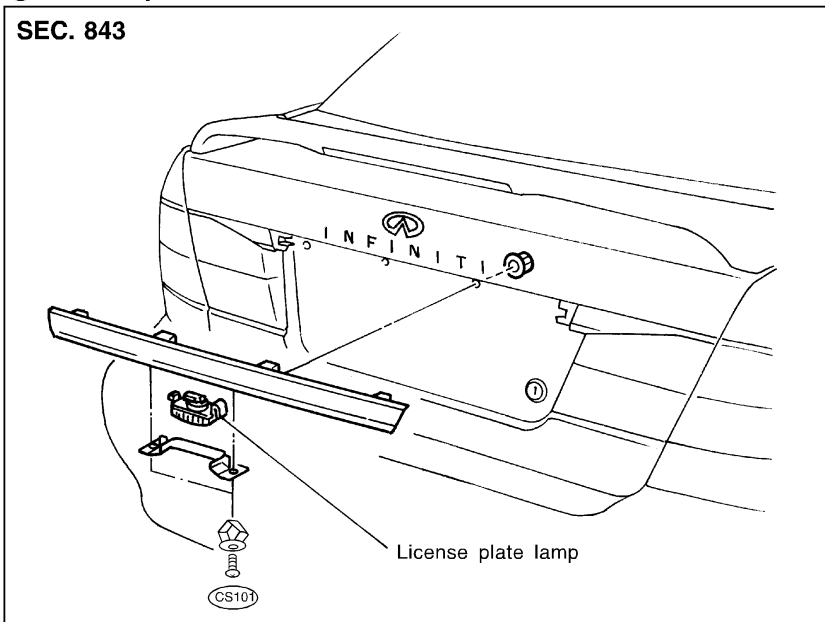
SEC. 960



- With a vehicle coated with Hard Clear Coat, use double-faced 3M adhesive tape Product No. 4210 or equivalent, after priming with 3M primer Product No. N-200 or C-100 or equivalent.

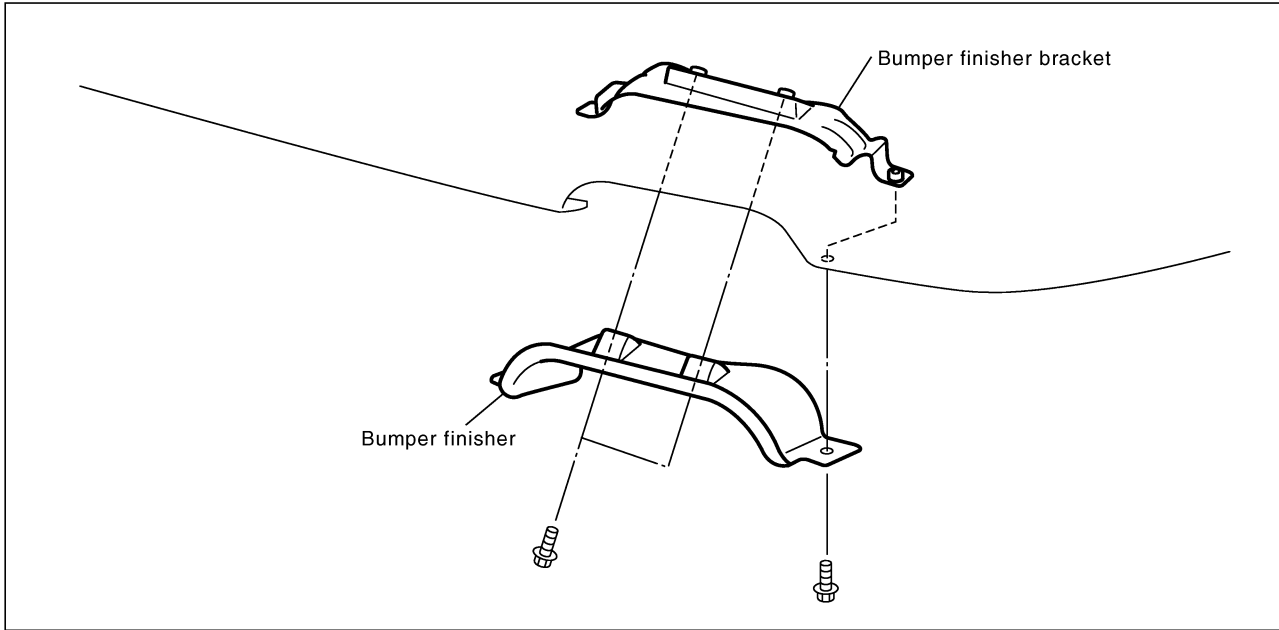
## 17 License plate finisher

SEC. 843



SBT857

⑩ Bumper finisher



GI

MA

EM

LC

EC

FE

CL

MT

AT

AX

SU

BR

ST

RS

**BT**

HA

SC

EL

IDX

# FRONT SEAT

Removal and Installation

---

## Removal and Installation

NCBT0014

- When removing or installing the seat trim, carefully handle it to keep dirt out and avoid damage.
- ★ For Wiring Diagram, refer to EL-144, “Wiring Diagram — SEAT —”.

### **CAUTION:**

- Before removing the rear seat, turn the ignition switch off, disconnect both battery cables and wait at least 3 minutes.
- When checking the power seat circuit for continuity using a circuit tester, do not confuse its connector with the side air bag module connector. Such an error may cause the air bag to deploy.
- Do not drop, tilt, or bump the side air bag module installed in the seat. Always handle it with care.
- Disconnect the side air bag harness connector, power seat switch harness connector and heated seat harness connector from under the seat before removing the seat.
- Disconnect the side air bag harness connector before removing the seat back. (Refer to RS-23, “Side Air Bag Module”.)



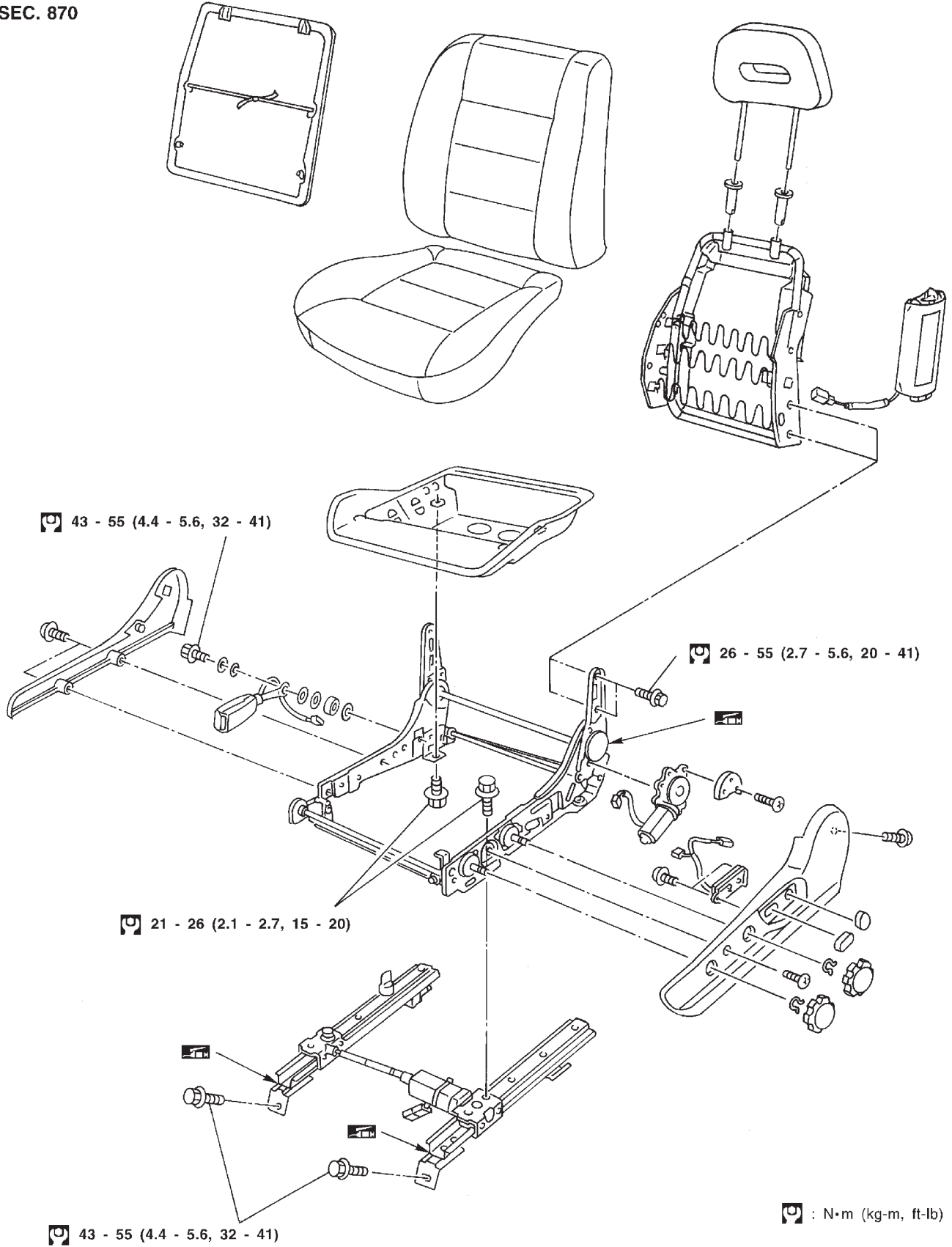
# FRONT SEAT

Removal and Installation (Cont'd)

## POWER SEAT

NCBT0014S01

SEC. 870



GI  
MA  
EM  
LC  
EC  
FE  
CL  
MT  
AT  
AX  
SU  
BR  
ST  
RS  
BT  
HA  
SC  
EL  
IDX

SBT660

# FRONT SEAT

*Removal and Installation (Cont'd)*

---

## HEATED SEAT

=NCBT0014S03

- When handling seat, be extremely careful not to scratch heating unit.
  - To replace heating unit, seat trim and pad should be separated.
  - Do not use any organic solvent, such as thinner, benzene, alcohol, gasoline, etc. to clean trims.
- ★ **For Wiring Diagram, refer to EL-145, “Wiring Diagram — HEATED SEAT —”.**

# REAR SEAT

Removal and Installation

## Removal and Installation

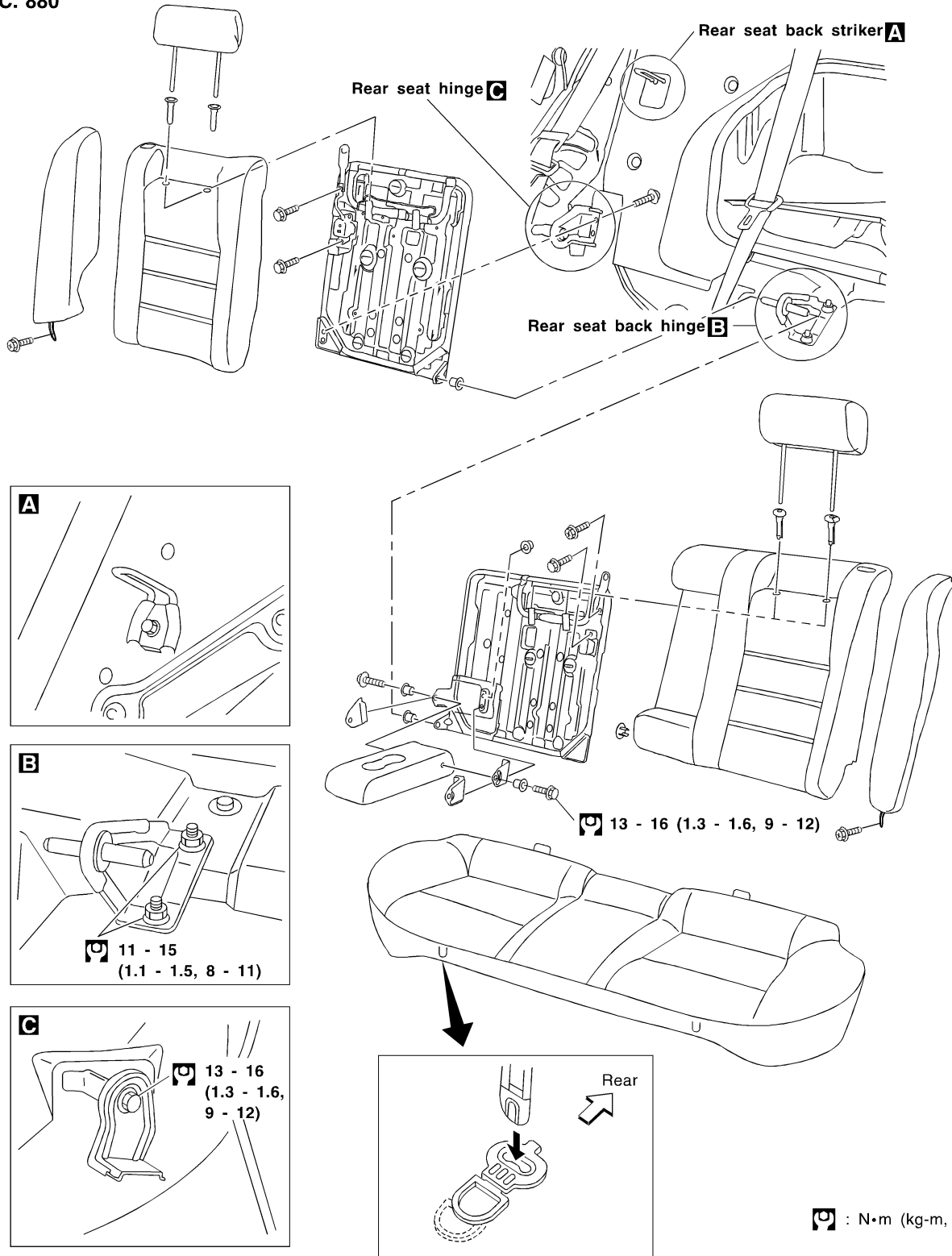
NCBT0015

- When removing or installing the seat trim, carefully handle it to keep dirt out and avoid damage.

### FOLDING SEAT

NCBT0015S01

SEC. 880



GI  
MA  
EM  
LC  
EC  
FE  
CL  
MT  
AT  
AX  
SU  
BR  
ST  
RS  
BT  
HA  
SC  
EL  
IDX

SBT890

# SUNROOF

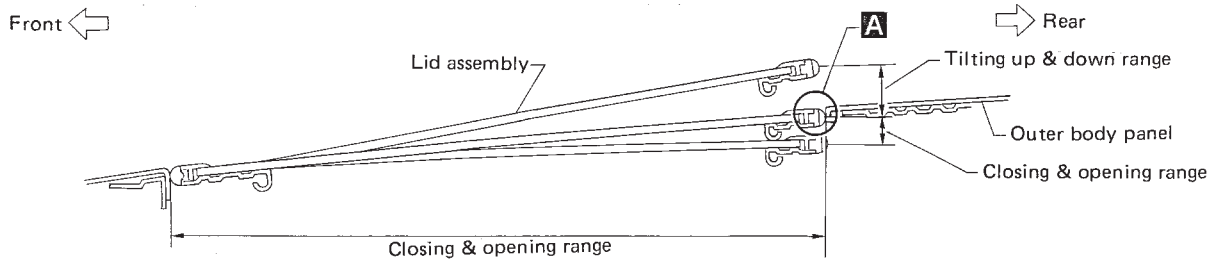
Adjustment

## Adjustment

NCBT0016

**Install motor & limit SW assembly and sunroof rail assembly in the following sequence:**

1. Arrange equal lengths of link and wire assemblies on both sides of sunroof opening.
2. Connect sunroof connector to sunroof switch and positive (+) power supply.
3. Set lid assembly to fully closed position **A** by operating OPEN switch and TILT switch.
4. Fit outer side of lid assembly to the surface of roof on body outer panel.
5. Remove motor, and keep OPEN switch pressed until motor pinion gear reaches the end of its rotating range.
6. Install motor.
7. Check that motor drive gear fits properly in wires.
8. Press TILT-UP switch to check lid assembly for normal tilting.
9. Check sunroof lid assembly for normal operations (tilt-up, tilt-down, open, and close).



SBF920F

## Removal and Installation

- After any adjustment, check sunroof operation and lid alignment. =NCBT0017
- Handle finisher plate and glass lid with care so not to cause damage.
- It is desirable for easy installation to mark each point before removal.

**CAUTION:**  
Always work with a helper.

GI

MA

EM

LC

EC

FE

CL

MT

AT

AX

SU

BR

ST

RS

**BT**

HA

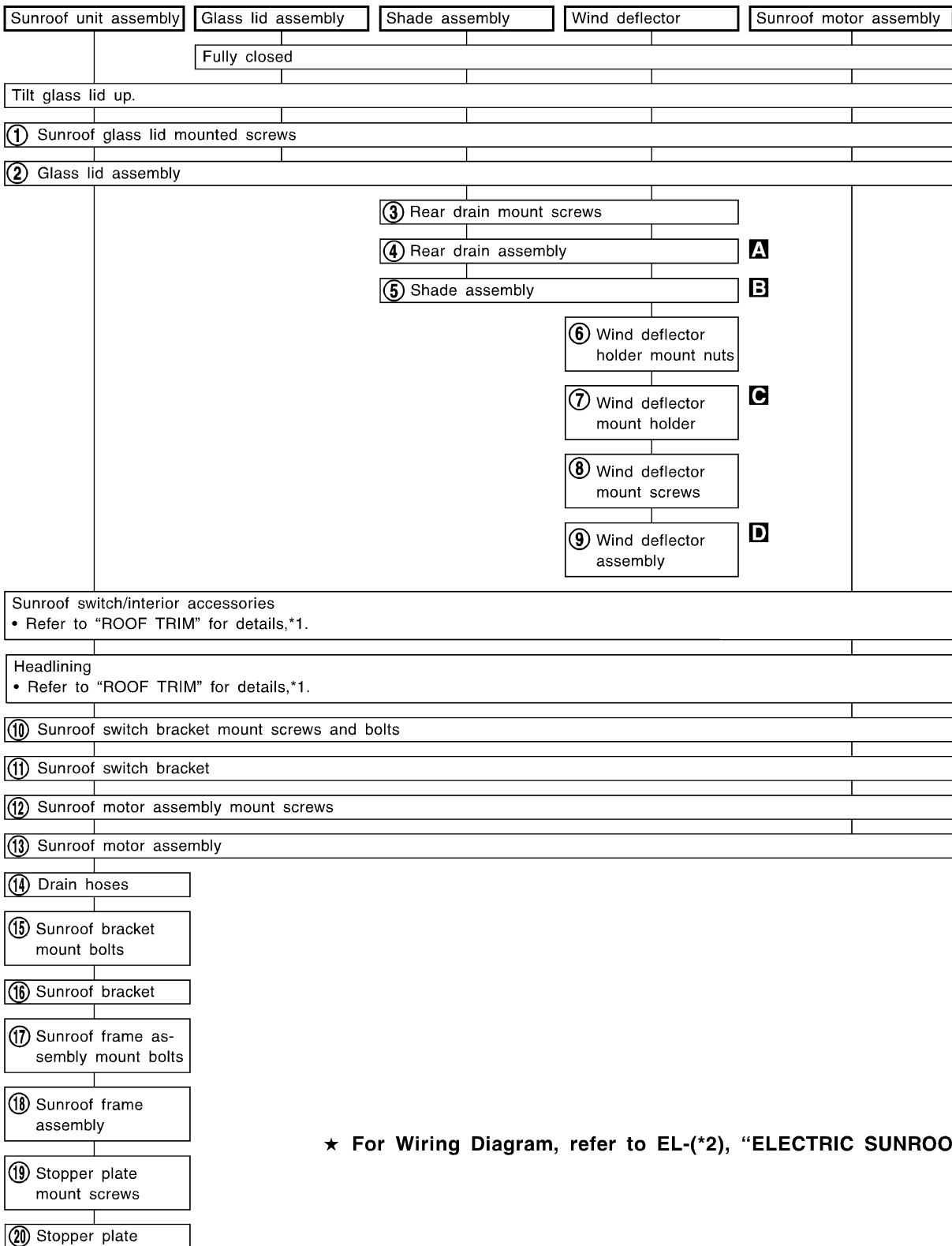
SC

EL

IDX

# SUNROOF

Removal and Installation (Cont'd)



★ For Wiring Diagram, refer to EL-(\*)2, "ELECTRIC SUNROOF".

SBT662-A

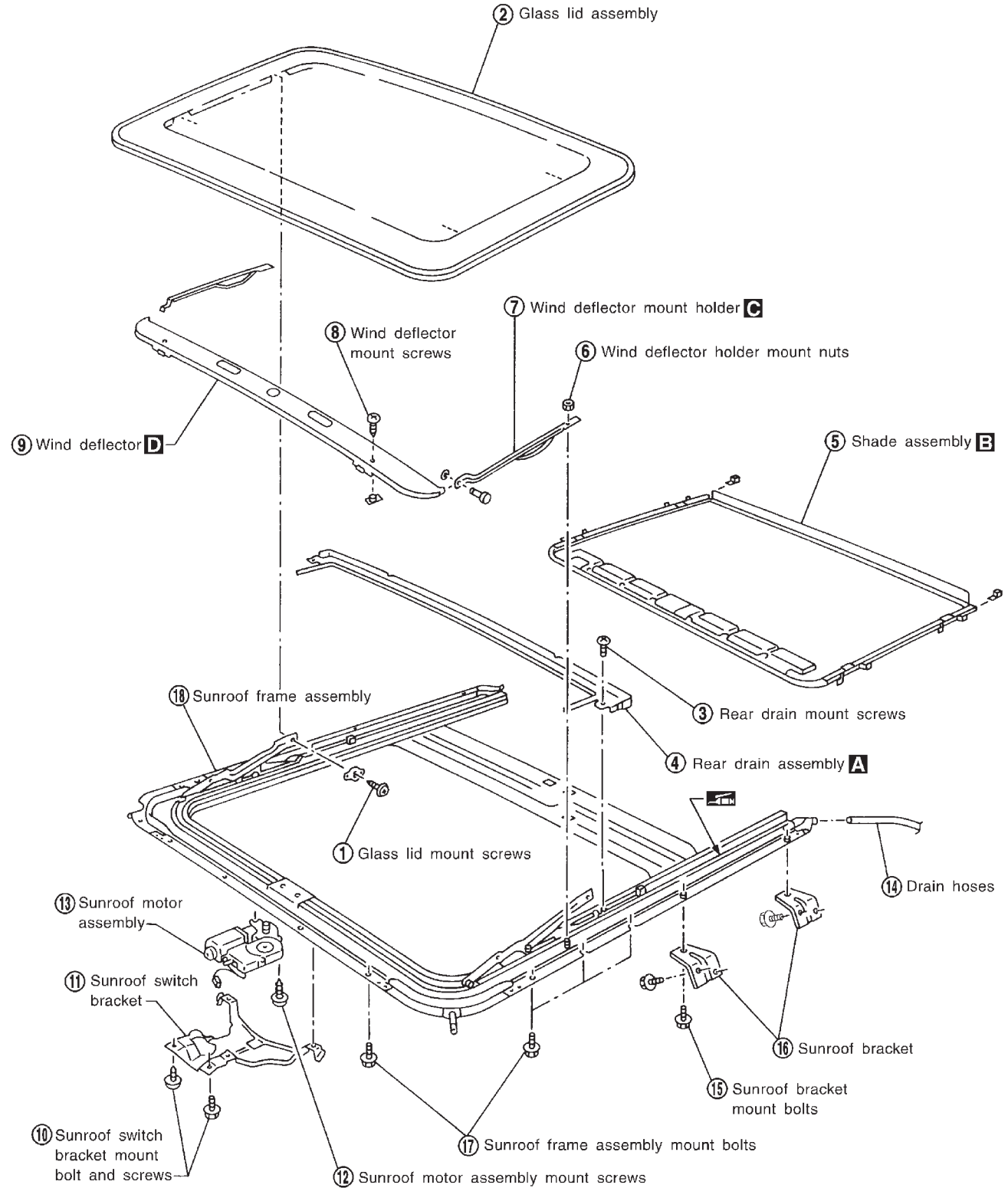
\*1: BT-31

\*2: EL-141

# SUNROOF

Removal and Installation (Cont'd)

SEC. 736

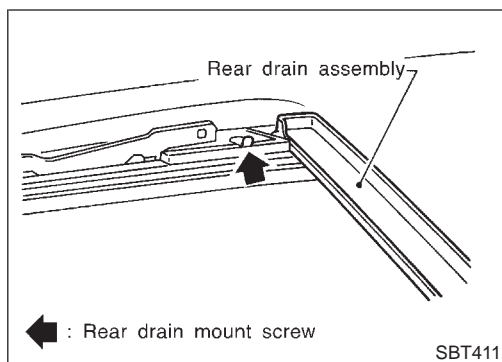


GI  
MA  
EM  
LC  
EC  
FE  
CL  
MT  
AT  
AX  
SU  
BR  
ST  
RS  
**BT**  
HA  
SC  
EL  
IDX

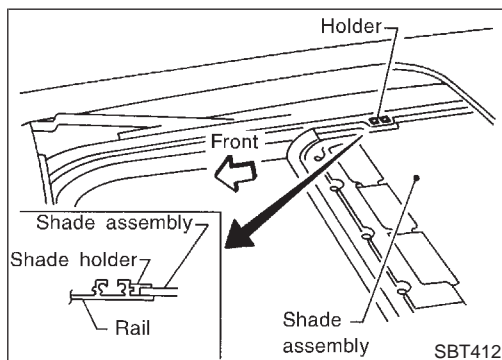
SBT410

# SUNROOF

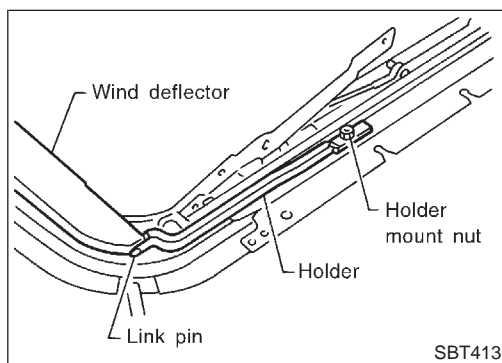
## Removal and Installation (Cont'd)



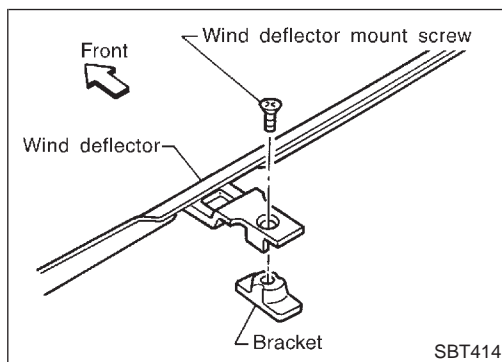
**A** Remove rear drain mount screws. Disengage rear drain assembly by moving it forward. Remove rear drain assembly.



**B** Using flat-bladed screwdriver, pry shade assembly holder from rail. Remove shade assembly by slowly moving it forward.



**C** Remove wind deflector mount screws. Pry off pawls with flat-bladed screwdriver inserted through rail hole. Remove wind deflector holder.



**D** Remove wind deflector mount screws from front end of sunroof unit. Remove wind deflector assembly from sunroof frame assembly.



## Trouble Diagnoses DIAGNOSTIC TABLE

=NCBT0018

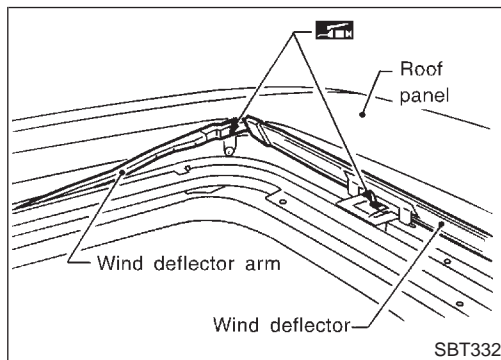
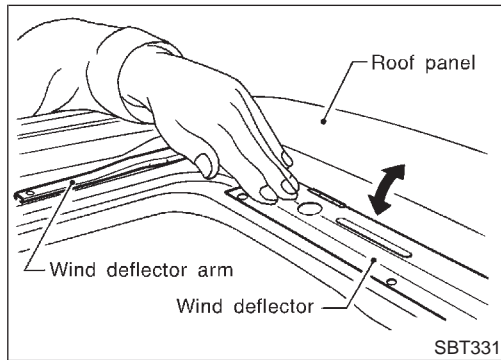
NCBT0018S01

### NOTE:

For diagnosing electric symptom, refer to EL-140, "POWER SUNROOF".

		Check items (Components)				
		Wind deflector	Adjustment	Drain hoses	Weatherstrip	Link and wire assembly
	Reference page	BT-49	BT-50	BT-51	BT-51	BT-52
Symptom	Excessive wind noise	1	2		3	
	Water leaks		1	2	3	
	Sunroof rattles		1	4	2	3
	Excessive operation noise		1		2	3

The numbers in this table mean order of inspection.



### WIND DEFLECTOR

NCBT0018S02

1. Open glass lid.
2. Check visually for proper installation.
3. Check to ensure a proper amount of petroleum jelly has been applied to wind deflector connection points; apply if necessary.
4. Check that wind deflector is properly retracted by hand. If it is not, remove and visually check condition. (Refer to removal procedures, BT-45.) If wind deflector is damaged, replace with new one. If wind deflector is not damaged, re-install properly.

GI  
MA  
EM  
LC  
EC  
FE  
CL  
MT  
AT  
AX  
SU  
BR  
ST  
RS  
BT  
HA  
SC  
EL  
IDX

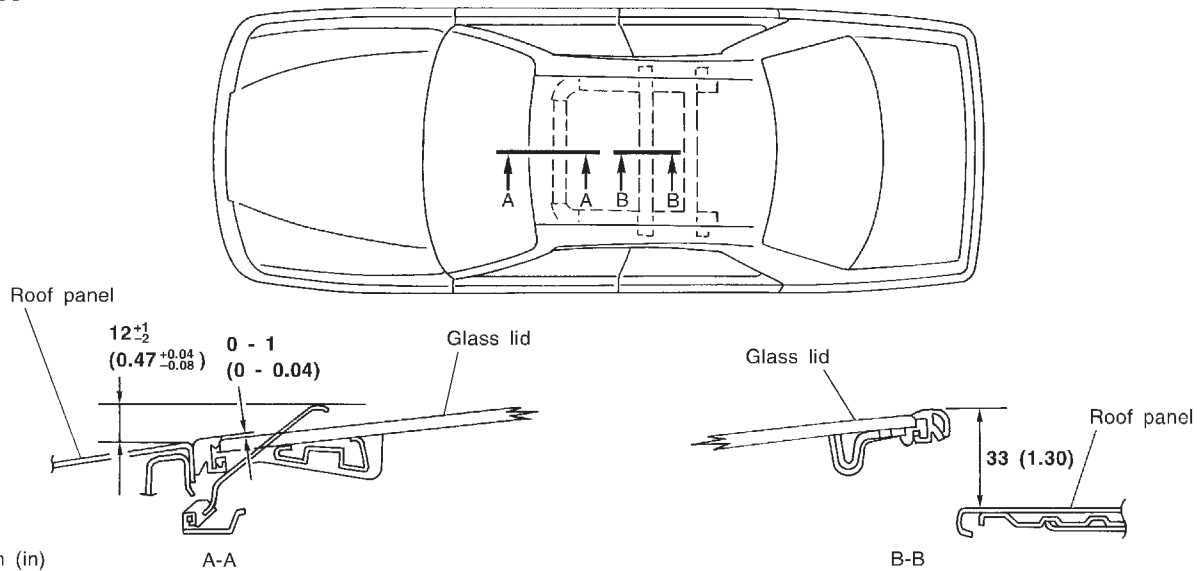
# SUNROOF

Trouble Diagnoses (Cont'd)

## ADJUSTMENT

NCBT0018S03

SEC. 736



If any gap or height difference between lid and roof is found, check lid fit and adjust as follows:

### Gap Adjustment

NCBT0018S0301

1. Open shade assembly.
2. Tilt glass lid up then remove side trim.
3. Loosen glass lid securing nuts (3 each on left and right sides), then tilt glass lid down.
4. Adjust glass lid from outside of vehicle so it resembles "A-A" as shown in the figure above.
5. Tilt glass lid up and down until it is adjusted to "B-B" as shown in the figure above.
6. After adjusting glass lid, tilt glass lid up and tighten nuts.
7. Tilt glass lid up and down several times to check that it moves smoothly.

### Height Difference Adjustment

NCBT0018S0302

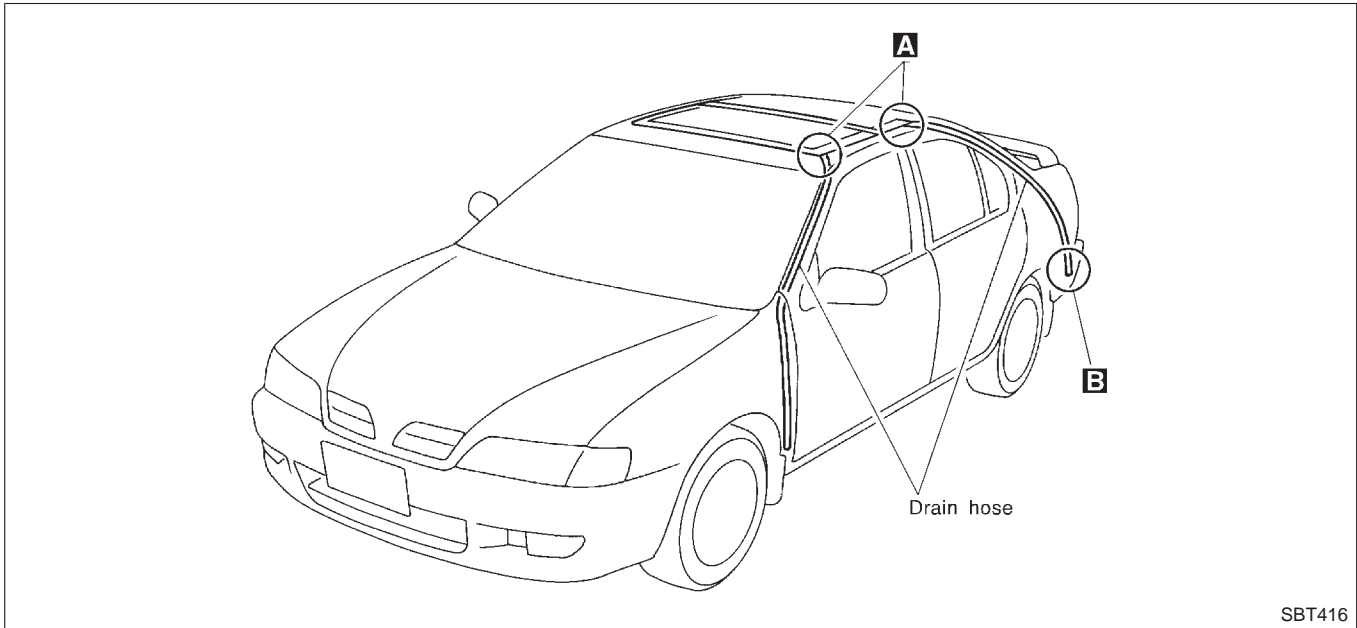
1. Tilt glass lid up and down.
2. Check height difference between roof panel and glass lid to see if it is as "A-A" as shown in the figure above.
3. If necessary, adjust it by using one of following procedures.
  - Adjust by adding or removing adjustment shim(s) between glass lid and link assembly.
  - If glass lid protrudes above roof panel, add shim(s) or plain washer(s) at sunroof mounting bracket or stud bolt locations to adjust sunroof installation as required.

# SUNROOF

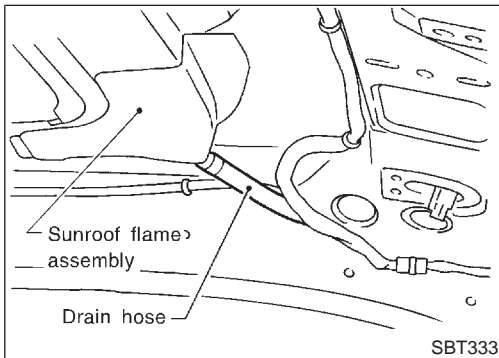
Trouble Diagnoses (Cont'd)

## DRAIN HOSES

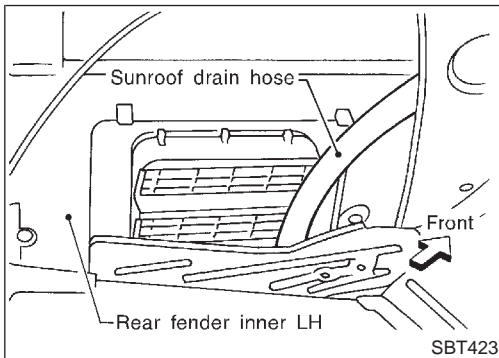
NCBT0018S04



SBT416



SBT333



SBT423

1. Remove headlining to access drain hose connections. (Refer to "ROOF TRIM", BT-31, for detail.)
2. Check visually for proper connections, damage or deterioration. **A** (The figure shows only the front side.)

3. If leakage occurs around trunk room, remove trunk room side trim and check connecting area. Check for proper connection, damage or tear. **B**
4. Remove drain hoses and check visually for any damage, cracks, or deterioration.
5. Pour water into drain hoses and find damaged portion.
- If any damaged portion is found at each step, replace the damaged part.

## WEATHERSTRIP

NCBT0018S05

- In the case of leakage around glass lid, close lid and pour water over glass lid to find damaged or gap portion.
1. Remove glass lid assembly. (Refer to removal procedures, BT-45, for details.)
  2. Visually check weatherstrip for proper installation. If a gap exists between glass lid and weatherstrip, check for sufficient amount of butyl seal. If required, remove weatherstrip and apply butyl seal. Refer to "EXTERIOR" (BT-34), for details.

GI  
MA  
EM  
LC  
EC  
FE  
CL  
MT  
AT  
AX  
SU  
BR  
ST  
RS  
BT  
HA  
SC  
EL  
IDX

## SUNROOF

Trouble Diagnoses (Cont'd)

---

3. Check weatherstrip visually for any damage, deterioration, or flattening.
  - If any damage is found, replace weatherstrip.

**CAUTION:**

**Do not remove weatherstrip except when replacing, or filling up butyl seal.**

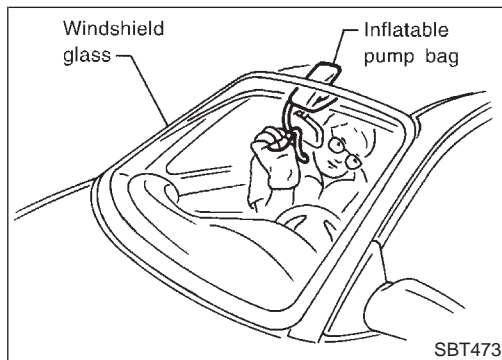
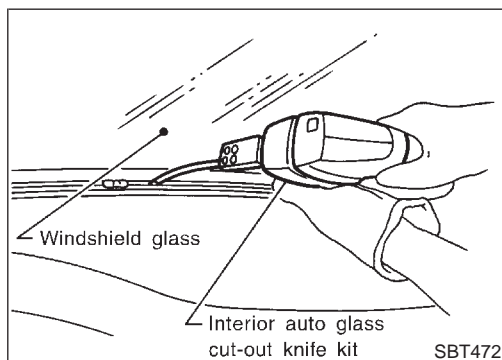
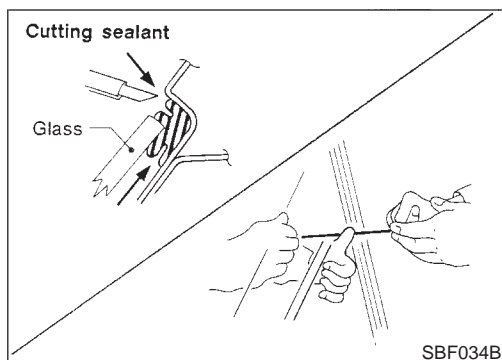
### LINK AND WIRE ASSEMBLY

NCBT0018S06

**NOTE:**

**Before replacing a suspect part, carefully ensure it is the source of noise being experienced.**

1. Check link to determine if coating film has peeled off to such an extent that substrate is visible. Check also to determine if link is the source of noise. If it is, replace it.
2. Visually check to determine if a sufficient amount of petroleum jelly has been applied to wire or rail groove. If not, add petroleum jelly as required.
3. Check wire for any damage or deterioration. If any damage is found, remove rear guide (refer to removal procedures, BT-45 for details), then replace wire.



## Removal and Installation

NCBT0019

### REMOVAL

NCBT0019S01

After removing moldings, remove glass using piano wire or power cutting tool and an inflatable pump bag.

#### WARNING:

When cutting the glass from the vehicle, always wear safety glasses and heavy gloves to help prevent glass splinters from entering your eyes or cutting your hands.

#### CAUTION:

- Be careful not to scratch the glass when removing.
- Do not set or stand the glass on its edge. Small chips may develop into cracks.

### INSTALLATION

NCBT0019S02

- Use a genuine Nissan Urethane Adhesive Kit or equivalent and follow the instructions furnished with it.
- While the urethane adhesive is curing, open a door window. This will prevent the glass from being forced out by passenger compartment air pressure when a door is closed.
- The molding must be installed securely so that it is in position and leaves no gap.
- Inform the customer that the vehicle should remain stationary until the urethane adhesive has completely cured (preferably 24 hours). Curing time varies with temperature and humidity.

#### WARNING:

- Keep heat and open flames away as primers and adhesive are flammable.
- The materials contained in the kit are harmful if swallowed, and may irritate skin and eyes. Avoid contact with the skin and eyes.
- Use in an open, well ventilated location. Avoid breathing the vapors. They can be harmful if inhaled. If affected by vapor inhalation, immediately move to an area with fresh air.
- Driving the vehicle before the urethane adhesive has completely cured may affect the performance of the windshield in case of an accident.

#### CAUTION:

- Do not use an adhesive which is past its usable term. Shelf life of this product is limited to six months after the date of manufacture. Carefully adhere to the expiration or manufacture date printed on the box.
- Keep primers and adhesive in a cool, dry place. Ideally, they should be stored in a refrigerator.
- Do not leave primers or adhesive cartridge unattended with their caps open or off.
- The vehicle should not be driven for at least 24 hours or until the urethane adhesive has completely cured. Curing time varies depending on temperature and humidities. The curing time will increase under higher temperatures and lower humidities.

GI

MA

EM

LC

EC

FE

CL

MT

AT

AX

SU

BR

ST

RS

BT

HA

SC

EL

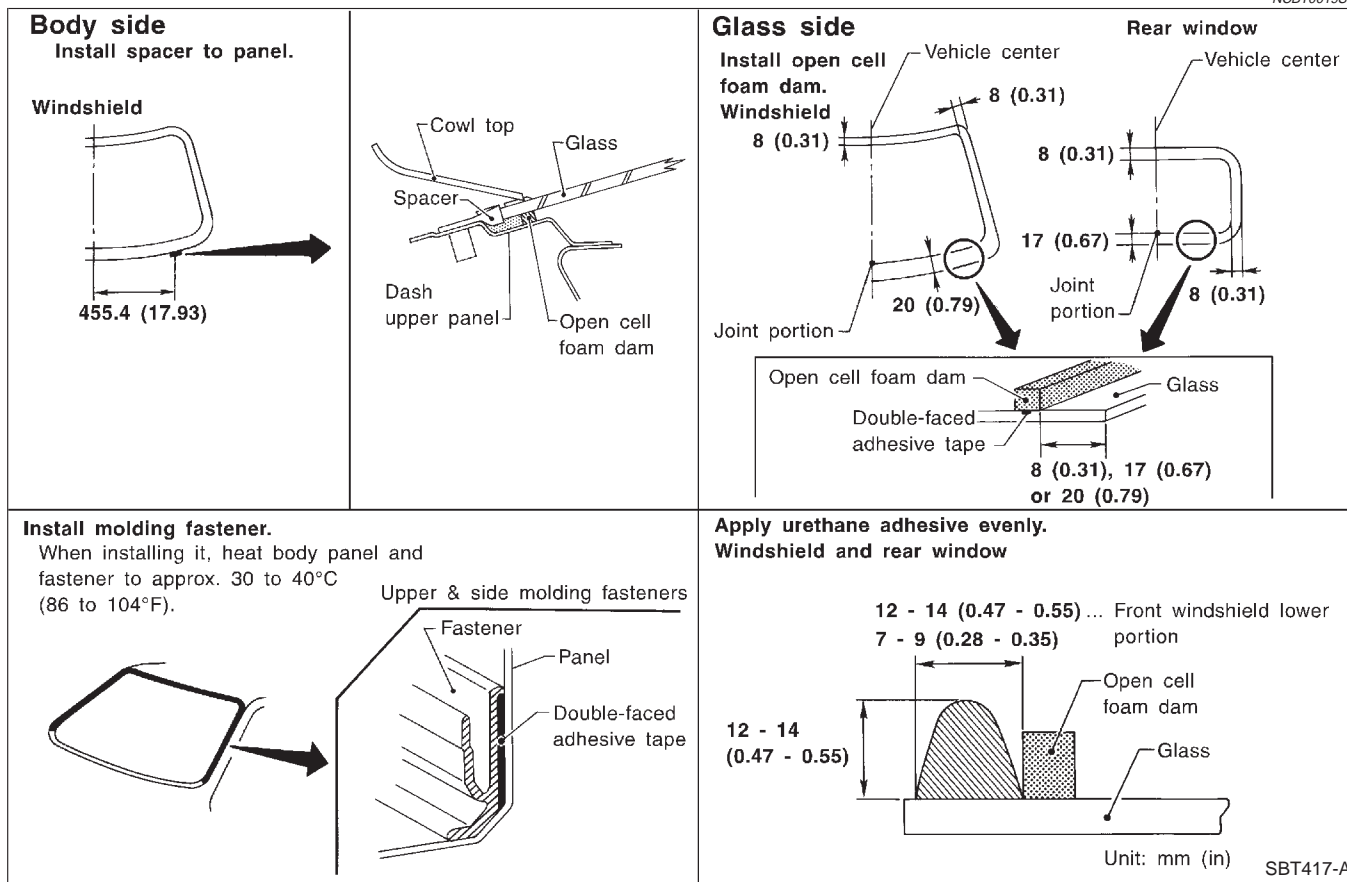
IDX

# WINDSHIELD AND WINDOWS

Removal and Installation (Cont'd)

## WINDSHIELD

NCBT0019S03



## Repairing Water Leaks for Windshield

NCBT0019S0301

Leaks can be repaired without removing and reinstalling glass. If water is leaking between urethane adhesive material and body or glass, determine the extent of leakage. This can be done by applying water to the windshield area while pushing glass outward.

To stop the leak, apply primer (if necessary) and then urethane adhesive to the leak point.

# DOOR MIRROR

Removal and Installation

## Removal and Installation

NCBT0020

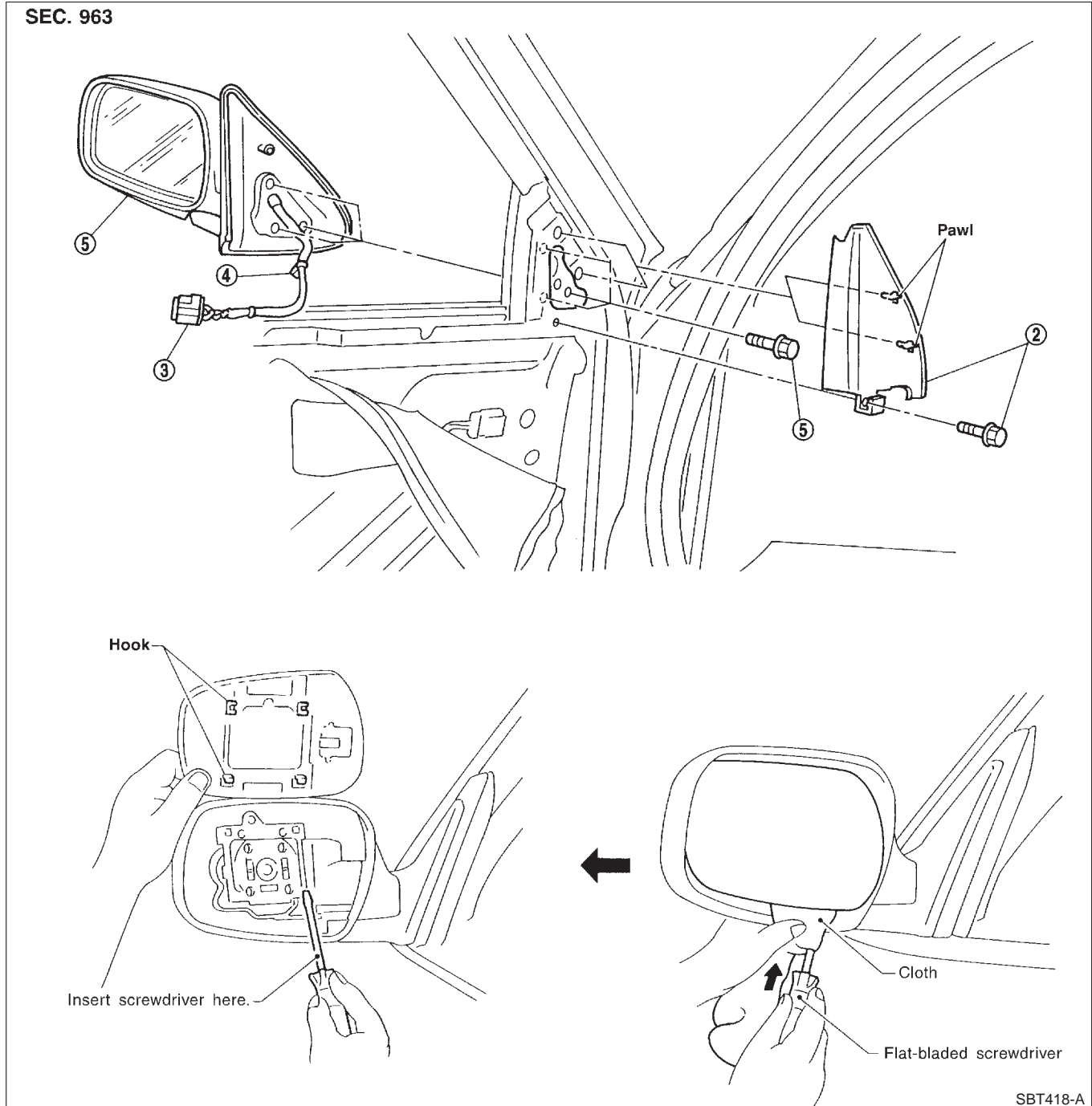
### CAUTION:

Be careful not to scratch door rearview mirror body.

★ For Wiring Diagram, refer to EL-143, "Wiring Diagram — MIRROR —".

1. Remove front door trim. Refer to "DOOR TRIM" for details, BT-29.
2. Remove bolt securing inner cover, then remove inner cover.
3. Disconnect door mirror harness connector.
4. Remove door mirror harness clip.
5. Remove bolts securing door mirror, then remove door mirror assembly.

GI  
MA  
EM  
LC  
EC  
FE  
CL  
MT  
AT  
AX  
SU  
BR  
ST  
RS  
BT  
HA  
SC  
EL  
IDX



SBT418-A

# REAR VIEW MIRROR

Removal and Installation

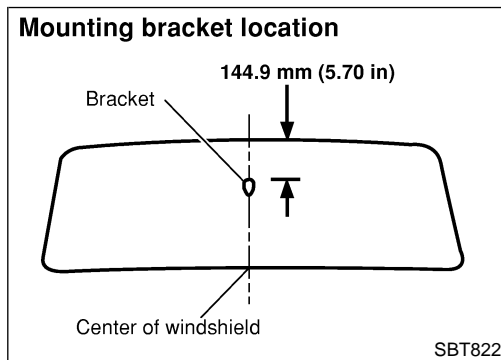
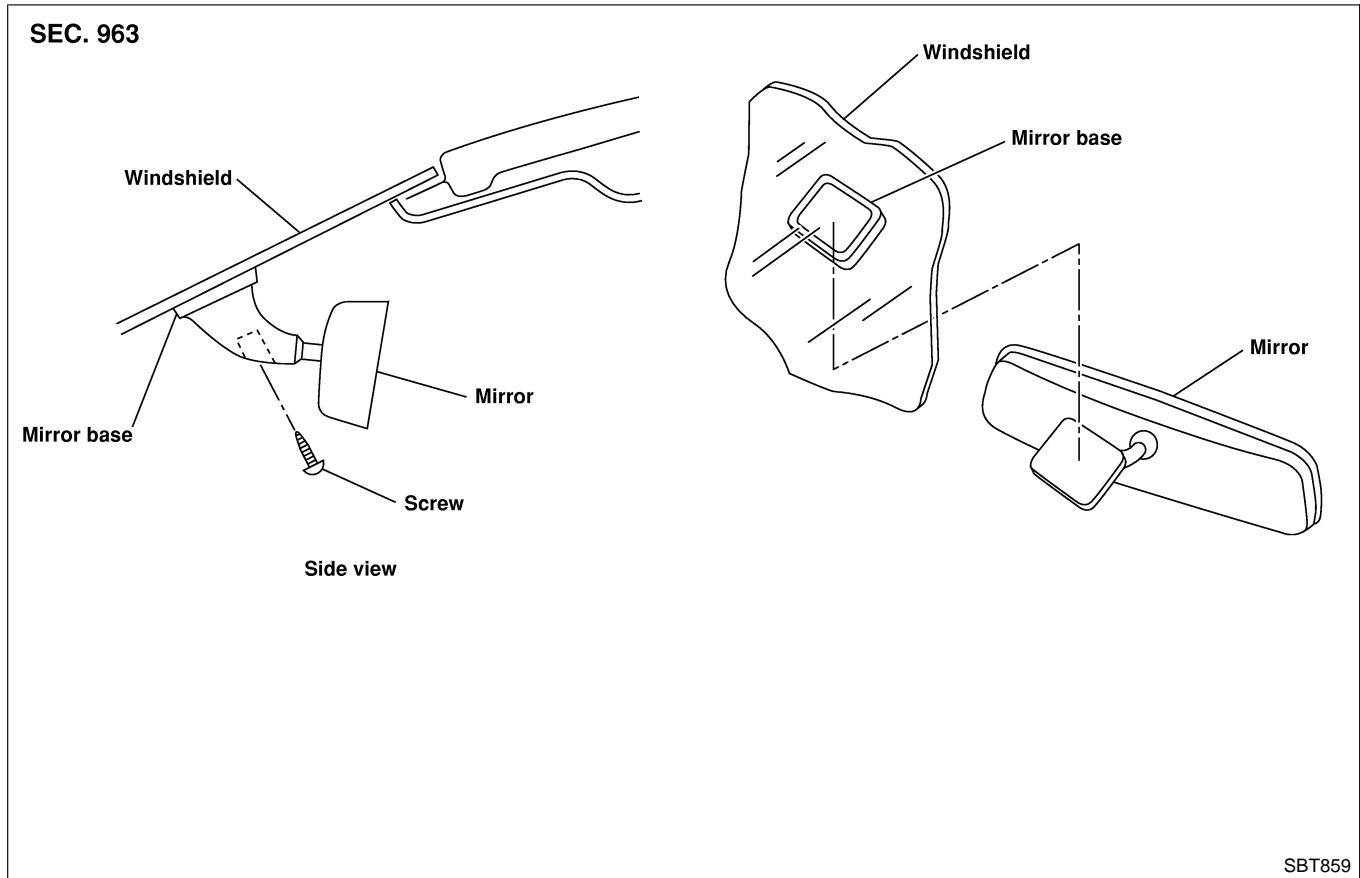
## Removal and Installation

NCBT0029

### REMOVAL

NCBT0029S01

Remove screw securing mirror assembly to mirror base as shown in the figure.



### INSTALLATION

NCBT0029S02

1. Install mirror base as follows:
  - a. Determine mirror base position on windshield by measuring from top of windshield to top of mirror base as shown in the figure.
  - b. Mark location on outside of windshield with wax pencil or equivalent.
  - c. Clean attaching point on inside of windshield with an alcohol-saturated panel towel.
  - d. Sand bonding surface of mounting bracket with sandpaper (No. 320 or No. 360).
  - e. Clean bonding surface of mounting bracket with an alcohol-saturated paper towel.
  - f. Apply Loctite Adhesive 11067-2 or equivalent to bonding surface of mounting bracket.
  - g. Install mirror base at premarked position and press mirror base against glass for 30 to 60 seconds.
  - h. After five minutes, wipe off excess adhesive with an alcohol-moistened paper towel.
2. Install rearview mirror.



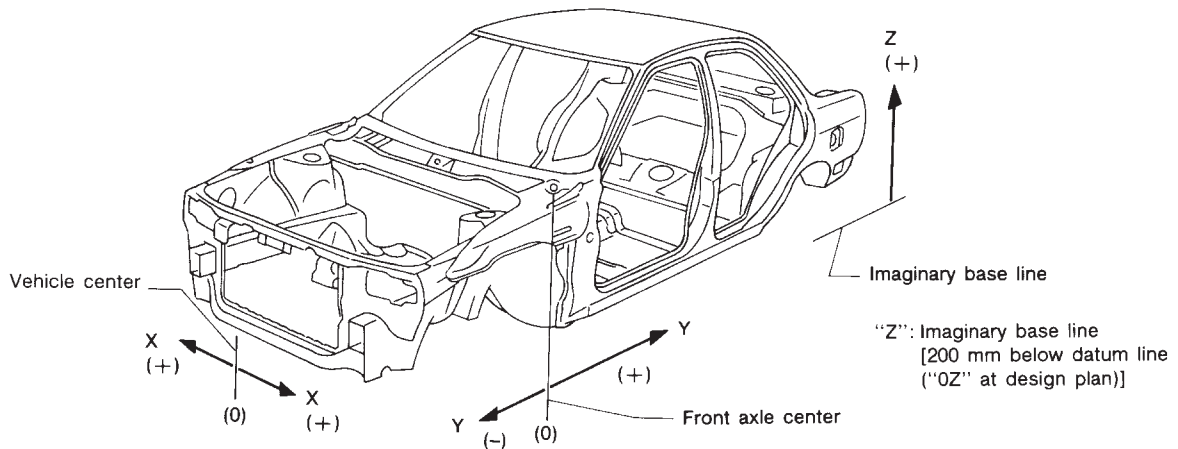
# BODY (ALIGNMENT)

Alignment

## Alignment

NCBT0021

- All dimensions indicated in figures are actual ones.
- When using a tracking gauge, adjust both pointers to equal length. Then check the pointers and gauge itself to make sure there is no free play.
- When a measuring tape is used, check to be sure there is no elongation, twisting or bending.
- Measurements should be taken at the center of the mounting holes.
- An asterisk (\*) following the value at the measuring point indicates that the measuring point on the other side is symmetrically the same value.
- The coordinates of the measurement points are the distances measured from the standard line of "X", "Y" and "Z".



GI

MA

EM

LC

EC

FE

CL

MT

AT

AX

SBF874GB

SU

BR

ST

RS

**BT**

HA

SC

EL

IDX

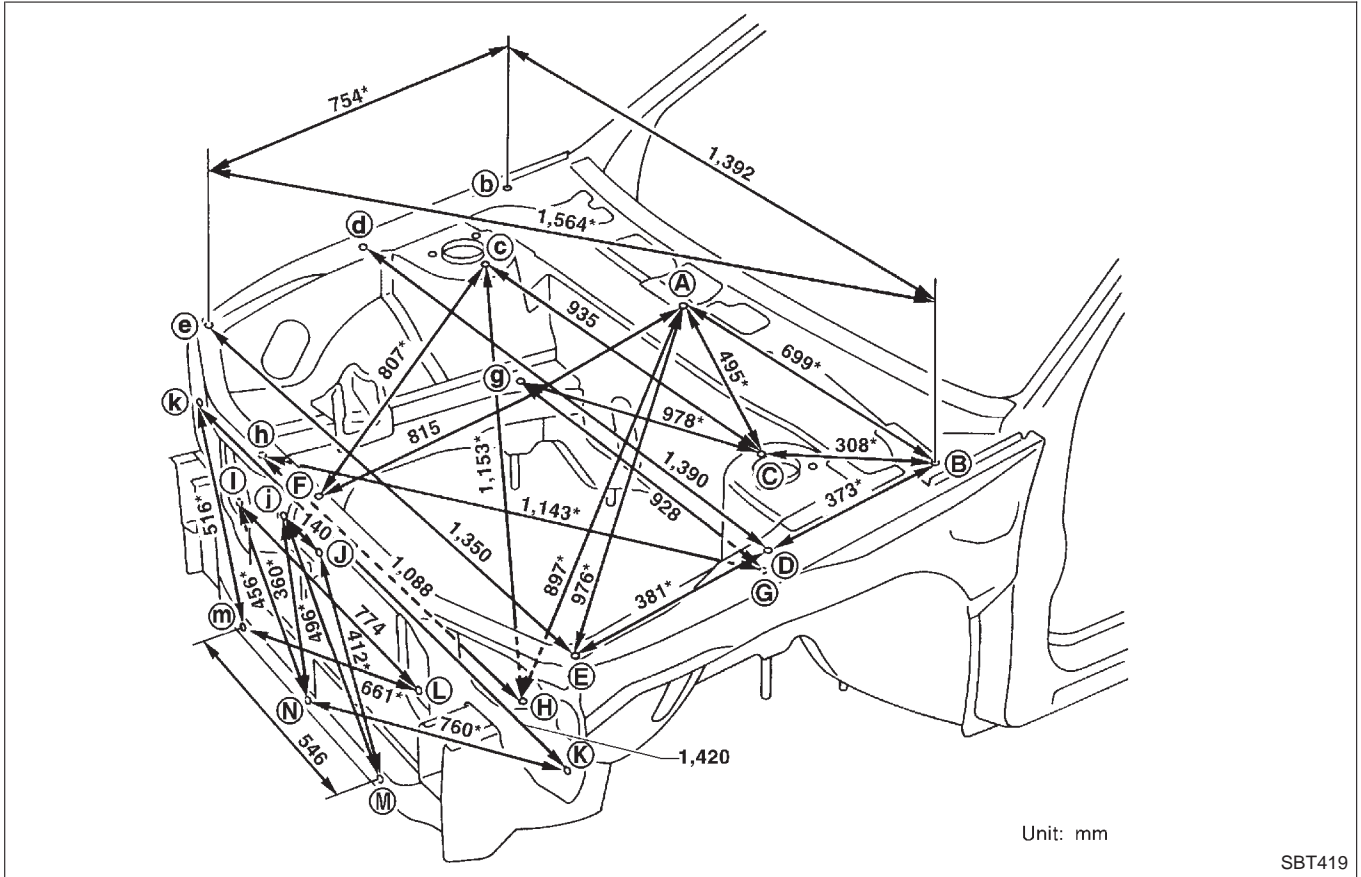
# BODY (ALIGNMENT)

Alignment (Cont'd)

## ENGINE COMPARTMENT Measurement

NCBT0021S01

NCBT0021S0101



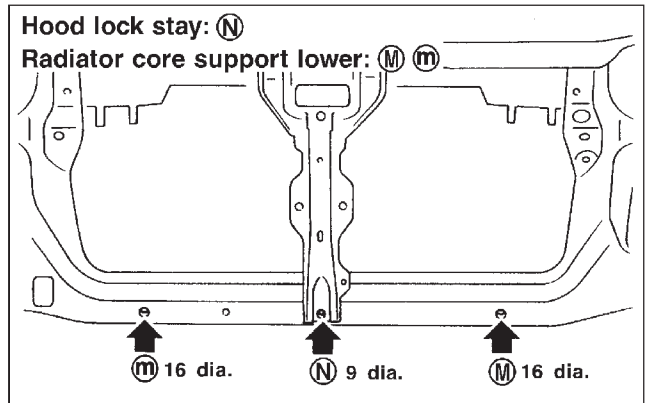
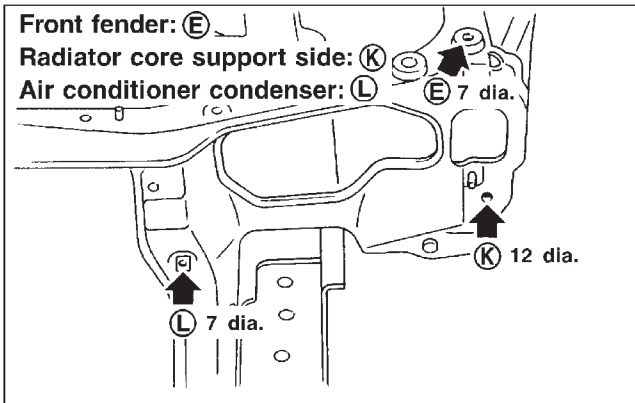
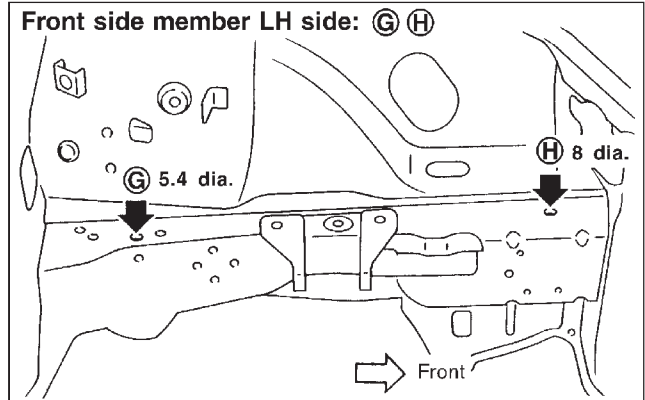
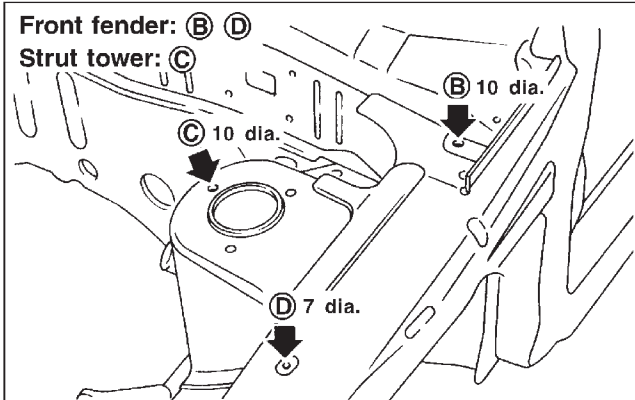
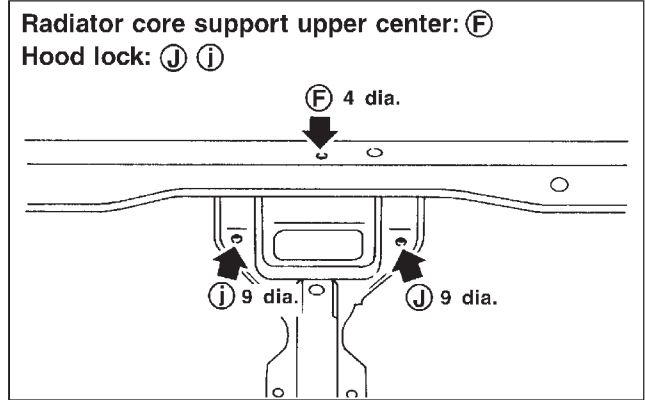
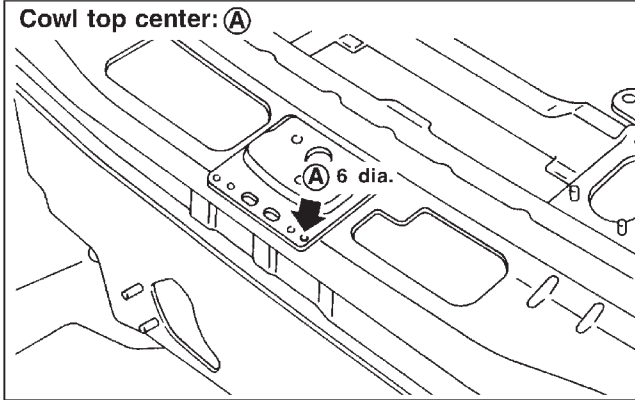
SBT419

# BODY (ALIGNMENT)

Alignment (Cont'd)

NCBT0021S0102

## Measurement Points



Unit: mm

GI  
MA  
EM  
LC  
EC  
FE  
CL  
MT  
AT  
AX  
SU  
BR  
ST  
RS  
BT  
HA  
SC  
EL  
IDX

SBT420

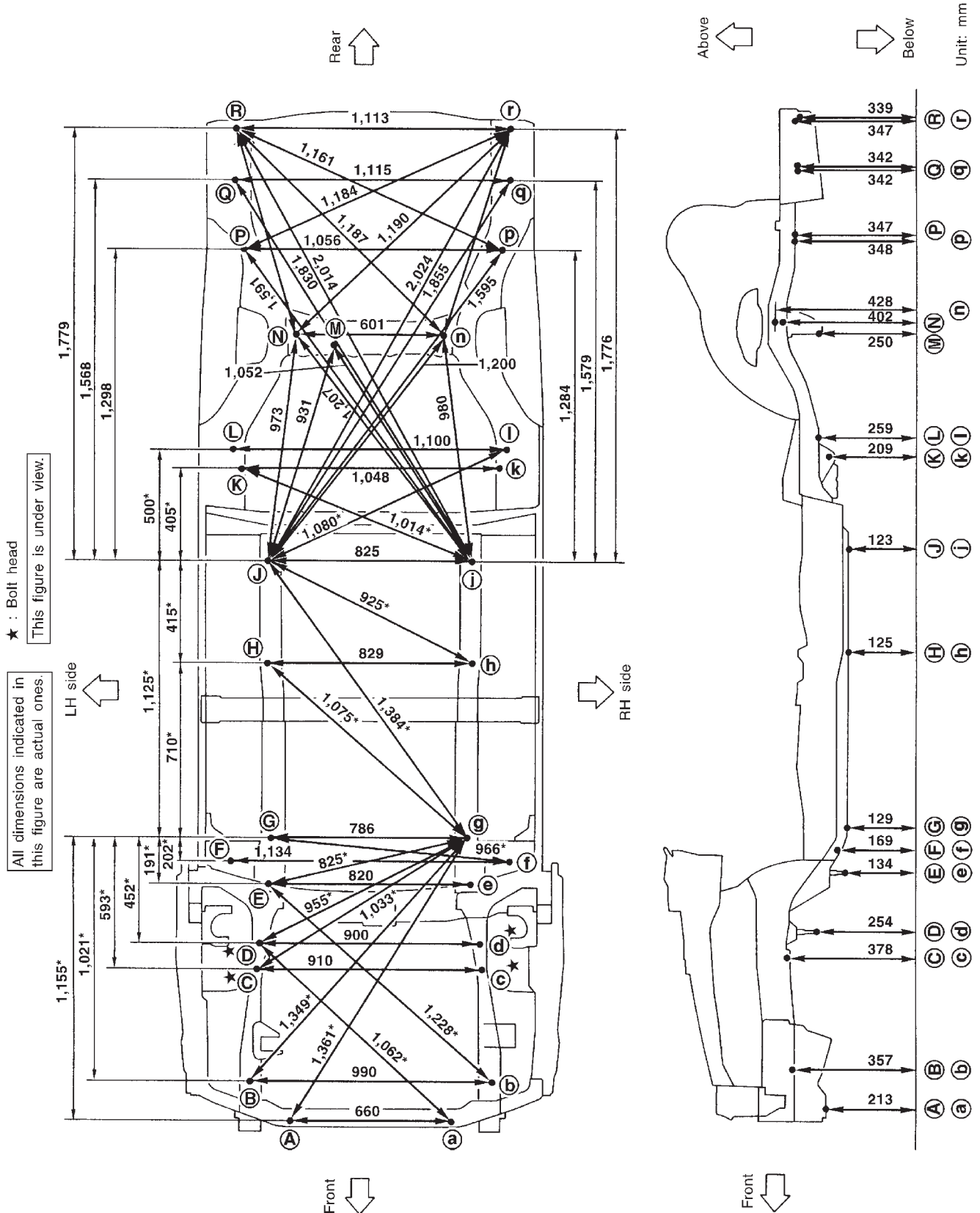
# BODY (ALIGNMENT)

Alignment (Cont'd)

## UNDERBODY Measurement

NCBT0021S02

NCBT0021S0201

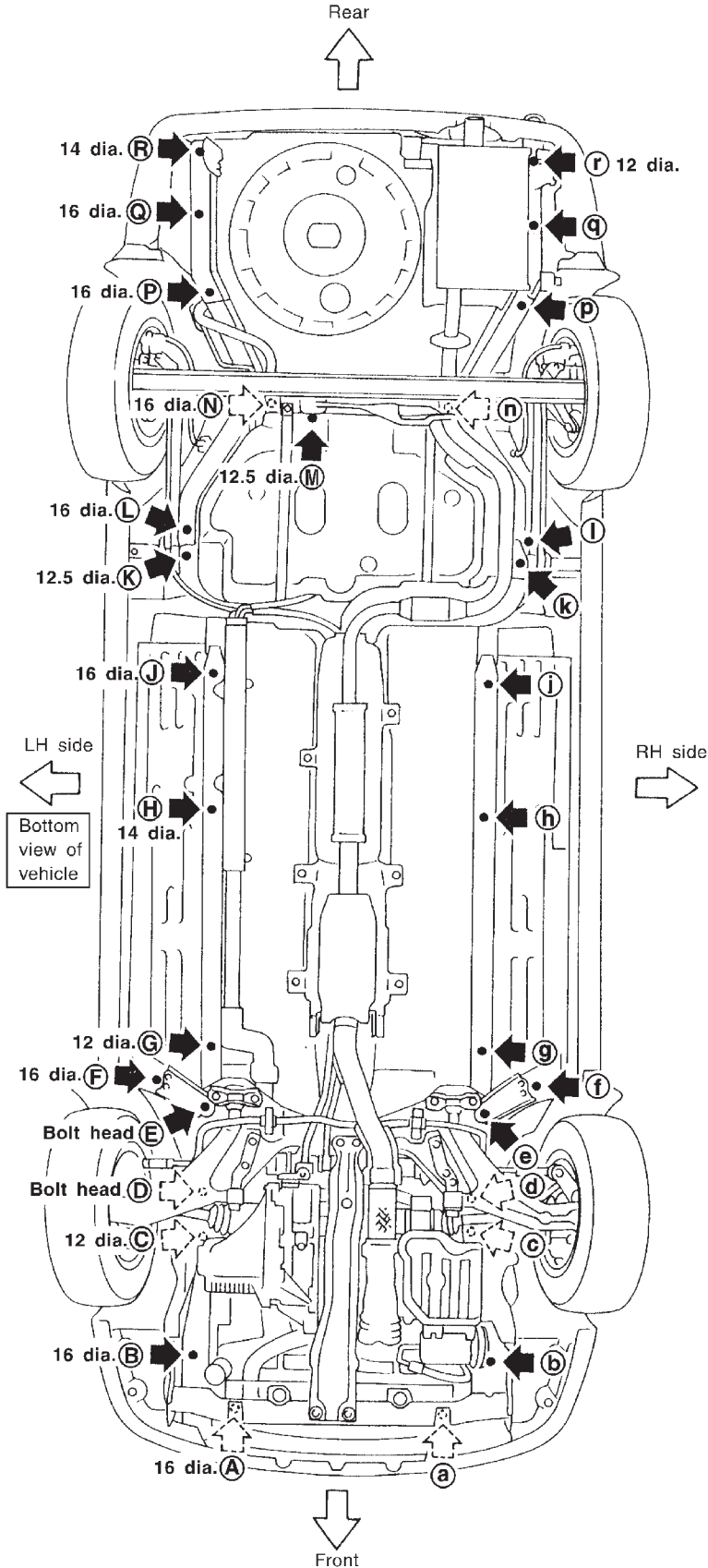


# BODY (ALIGNMENT)

Alignment (Cont'd)

## Measurement Points

NCBT0021S0202



Coordinates:

<b>(A), (a)</b> X: 330 Y: -650 Z: 213	<b>(H), (h)</b> X: 414.5 Y: 1,210 Z: 124.9	<b>(P)</b> X: 512 Y: 2,900 Z: 346.5
<b>(B), (b)</b> X: 495 Y: -490 Z: 356.6	<b>(J), (j)</b> X: 412.5 Y: 1,625 Z: 123.2	<b>(P)</b> X: 544 Y: 2,882 Z: 347.7
<b>(C), (c)</b> X: 455 Y: -35 Z: 377.6	<b>(K), (k)</b> X: 524 Y: 2,005 Z: 209	<b>(Q)</b> X: 540 Y: 3,172 Z: 341.5
<b>(D), (d)</b> X: 450 Y: 70 Z: 254	<b>(L), (l)</b> X: 555 Y: 2,085 Z: 259	<b>(Q)</b> X: 575 Y: 3,180 Z: 341.5
<b>(E), (e)</b> X: 410 Y: 310 Z: 133.8	<b>(M)</b> X: 145 Y: 2,507.9 Z: 250	<b>(R)</b> X: 542 Y: 3,385.6 Z: 339.4
<b>(F), (f)</b> X: 567 Y: 405 Z: 169.4	<b>(N)</b> X: 300 Y: 2,550 Z: 402.3	<b>(r)</b> X: 570.5 Y: 3,380 Z: 346.5
<b>(G), (g)</b> X: 393 Y: 500 Z: 128.6	<b>(n)</b> X: 300 Y: 2,550 Z: 428.3	

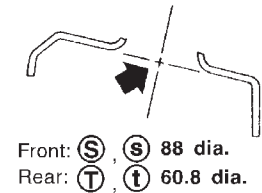
Unit: mm

### Front and rear strut tower centers

Coordinates:

**(S), (s)**  
X: 527.3  
Y: -5.1  
Z: 780.1

**(T), (t)**  
X: 478  
Y: 2,522  
Z: 527



GI

MA

EM

LC

EC

FE

CL

MT

AT

AX

SU

BR

ST

RS

**BT**

HA

SC

EL

IDX

SBT422

## NOTES