

ENGINE



CONTENTS

11109000276

ENGINE <4G6>	11A
ENGINE <4G9>	11B



ENGINE

<4G6>

CONTENTS

GENERAL INFORMATION	3	Lash Adjuster Check	14
SERVICE SPECIFICATIONS	3	CRANKSHAFT PULLEY	17
SEALANTS	4	CAMSHAFT AND CAMSHAFT OIL SEAL ..	18
SPECIAL TOOLS	5	OIL PAN	22
ON-VEHICLE SERVICE	6	CRANKSHAFT OIL SEAL	24
Drive Belt Tension Check and Adjustment	6	CYLINDER HEAD GASKET	27
Ignition Timing Check	10	TIMING BELT AND TIMING BELT B	30
Idle Speed Check	11	ENGINE ASSEMBLY	37
Idle Mixture Check	12		
Compression Pressure Check	13		
Manifold Vacuum Check	14		

GENERAL INFORMATION

Items		4G64-GDI	
Total displacement mL		2,350	
Bore × Stroke mm		86.5 × 100.0	
Compression ratio		11.5	
Combustion chamber		Pentroof + ball-in-piston	
Camshaft arrangement		DOHC	
Number of valve	Intake	8	
	Exhaust	8	
Valve timing	Intake	Opening	BTDC 16°
		Closing	ABDC 60°
	Exhaust	Opening	BBDC 56°
		Closing	ATDC 16°
Fuel system		Electronically controlled multipoint fuel injection	
Rocker arm		Roller type	
Auto-lash adjuster		Equipped	

SERVICE SPECIFICATIONS

Items		Standard value	Limit
Alternator drive belt tension	Vibration frequency Hz	When checked	189 - 232
		When a used belt is installed	201 - 222
		When a new belt is installed	241 - 276
	Tension N	When checked	392 - 588
		When a used belt is installed	441 - 539
		When a new belt is installed	637 - 833
	Deflection (Reference value) mm	When checked	6.7 - 9.0
		When a used belt is installed	7.2 - 8.4
		When a new belt is installed	5.0 - 6.4

Items		Standard value	Limit
Power steering oil pump and A/C compressor drive belt tension	Vibration frequency Hz	When checked	108 - 132
		When a used belt is installed	114 - 126
		When a new belt is installed	137 - 157
	Tension N	When checked	392 - 588
		When a used belt is installed	441 - 539
		When a new belt is installed	637 - 834
	Deflection (Reference value) mm	When checked	11.7 - 15.3
		When a used belt is installed	12.5 - 14.3
		When a new belt is installed	8.8 - 11.0
Basic ignition timing		5° BTDC ± 3°	-
Ignition timing		Approx. 20° BTDC*1	-
Idle speed r/min	M/T	600 ± 100*2	-
	A/T	650 ± 100	-
CO contents %		0.5 or less	-
HC contents ppm		100 or less	-
Compression pressure kPa - r/min		1,570 - 300	1,210 - 300
Compression pressure difference of all cylinder kPa		-	Max. 100
Intake manifold vacuum kPa		-	Min. 56*3
Cylinder head bolt shank length mm		-	99.4
Auto-tensioner push rod movement mm		Within 1	-
Timing belt tension torque Nm (Reference value)		2.5	-
Auto-tensioner rod protrusion amount mm		3.8 - 4.5	-

NOTE

*1: Indicates the value measured within 4 minutes since the engine was started.

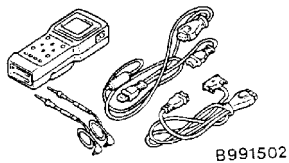
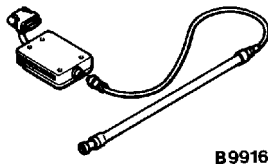
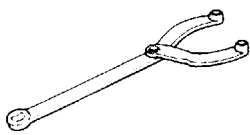
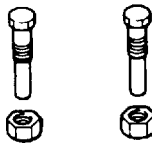
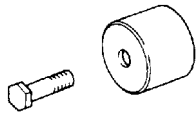
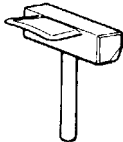
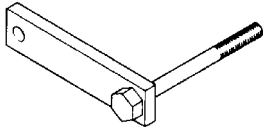
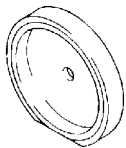
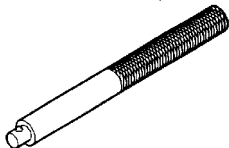
*2: Varies depending on the transmission oil temperature. For details, refer to P.11A-11.

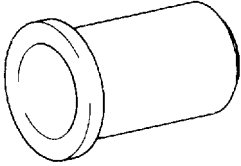
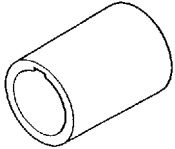
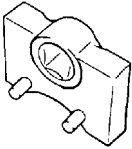
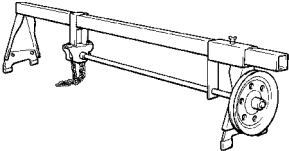
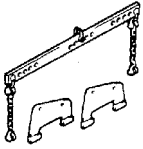
*3: Indicates the value when more than 4 minutes have passed since the engine was started.

SEALANTS

Items	Specified sealants	Remarks
Beam camshaft cap Cylinder head	3M ATD Part No.8660 or equivalent	-
Cam position sensor support Oil pan	MITSUBISHI GENUINE PART MD970389 or equivalent	Semi-drying sealant
Flywheel or drive plate bolt	3M Stud Locking 4170 or equivalent	-

SPECIAL TOOLS

Tool	Number	Name	Use
 B991502	MB991502	MUT-II sub assembly	<ul style="list-style-type: none"> Measuring the drive belt tension Checking the ignition timing Checking the idle speed Erasing diagnosis code
 B991668	MB991668	Belt tension meter set	Measuring the drive belt tension (used together with the MUT-II)
	MB990767	End yoke holder	<ul style="list-style-type: none"> Holding the camshaft sprocket Holding the crankshaft sprocket
	MD998719 or MD998754	Crankshaft pulley holder pin	<ul style="list-style-type: none"> Holding the camshaft sprocket Holding the crankshaft sprocket
	MD998713	Camshaft oil seal installer	Press-in of the camshaft oil seal
	MD998727	Oil pan remover	Removal of oil pan
	MD998781	Flywheel stopper	Securing the flywheel
	MD998776	Crankshaft rear oil seal installer	Press-in of the crankshaft rear oil seal
	MB990938	Handle	Press-in of the crankshaft rear oil seal

Tool	Number	Name	Use
	MD998382	Crankshaft front oil seal installer	Installation of crankshaft front oil seal
	MD998285	Crankshaft front oil seal guide	
	MD998767	Tension pulley socket wrench	Timing belt tension adjustment
	GENERAL SERVICE TOOL MZ203827	Engine lifter	Supporting the engine assembly during removal and installation of the transmission
 B991453	MB991453	Engine hanger assembly	

ON-VEHICLE SERVICE

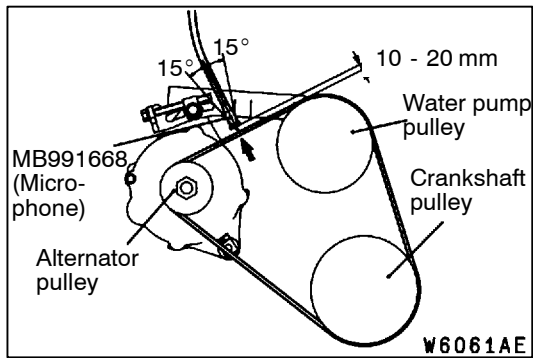
DRIVE BELT TENSION CHECK AND ADJUSTMENT

ALTERNATOR DRIVE BELT TENSION CHECK

Check the drive belt tension in the following procedure.

Standard value:

Vibration frequency Hz	189 - 232
Tension N	392 - 588
Deflection (Reference value) mm	6.7 - 9.0

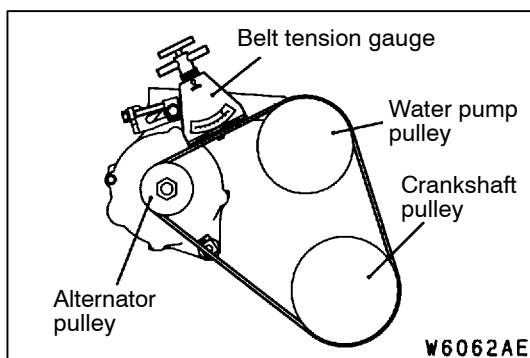


<When using the MUT-II>

1. Connect the special tool (belt tension meter set) to the MUT-II.
2. Connect the MUT-II to the diagnosis connector.
3. Turn the ignition switch to ON and select "Belt Tension Measurement" from the menu screen.
4. Hold the microphone to the middle of the drive belt between the pulleys (at the place indicated by the arrow), about 10 - 20 mm away from the rear surface of the belt and so that it is perpendicular to the belt (within an angle of $\pm 15^\circ$).
5. Gently tap the middle of the belt between the pulleys (the place indicated by the arrow) with your finger as shown in the illustration, and check that the vibration frequency of the belt is within the standard value.

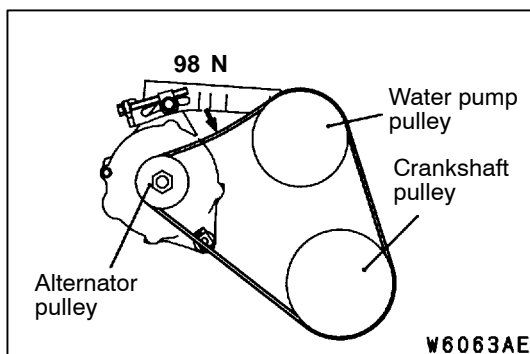
Caution

- (1) The temperature of the surface of the belt should be as close as possible to normal temperature.
- (2) Do not let any contaminants such as water or oil get onto the microphone.
- (3) If strong gusts of wind blow against the microphone or if there are any loud sources of noise nearby, the values measured by the microphone may not correspond to actual values.
- (4) If the microphone is touching the belt while the measurement is being made, the values measured by the microphone may not correspond to actual values.
- (5) Do not take the measurement while the vehicle's engine is running.



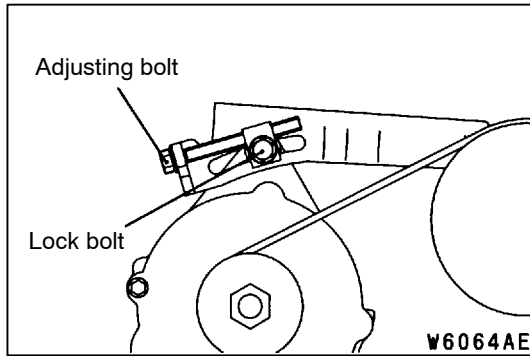
<When using a tension gauge>

Use a belt tension gauge to check that the belt tension is within the standard value.



<Belt deflection check>

Apply 98 N of force to the middle of the drive belt between the pulleys (at the place indicated by the arrow) and check that the amount of deflection is within the standard value.



ALTERNATOR DRIVE BELT TENSION ADJUSTMENT

1. Loosen the nut of the alternator pivot bolt.
2. Loosen the lock bolt.
3. Use the adjusting bolt to adjust the belt tension and belt deflection to the standard values.

Standard value:

Items	When a used belt is installed	When a new belt is installed
Vibration frequency Hz	201 - 222	241 - 276
Tension N	441 - 539	637 - 833
Deflection (Reference value) mm	7.2 - 8.4	5.0 - 6.4

4. Tighten the nut of the alternator pivot bolt.

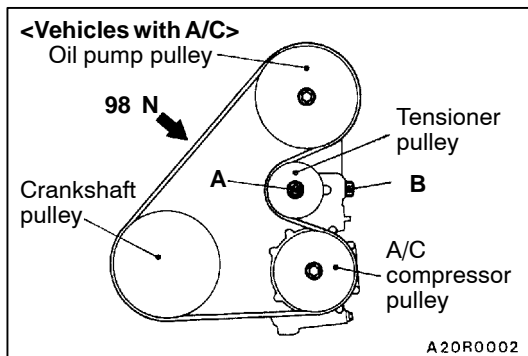
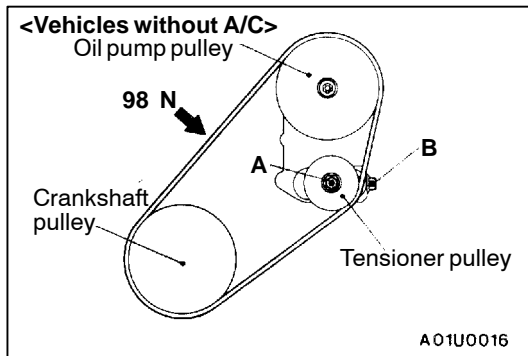
Tightening torque: 49 Nm

5. Tighten the lock bolt.

Tightening torque: 22 Nm

6. Tighten the adjusting bolt.

Tightening torque: 5 Nm



POWER STEERING OIL PUMP AND AIR CONDITIONER COMPRESSOR DRIVE BELT TENSION CHECK AND ADJUSTMENT

11100130127

1. Check if the belt tension is within the standard value using one of the methods below.

Standard value:

Items	When checked	When a used belt is installed	When a new belt is installed
Vibration frequency Hz	108 - 132	114 - 126	137 - 157
Tension N	392 - 588	441 - 539	637 - 834
Deflection (Reference value) mm	11.7 - 15.3	12.5 - 14.3	8.8 - 11.0

<When measuring the vibration frequency>

With your finger tip lightly tap the centre of the belt between the pulleys in the location shown by the arrow in the illustration and then measure the belt vibration frequency.

NOTE

Refer to P.11A-7 for information regarding the vibration frequency measurement method using MUT-II.

<When measuring the tension>

Use a belt tension gauge to measure the belt tension.

<When measuring the deflection>

Apply 98 N of pressure against the location between the pulleys shown by the arrow in the illustration and then measure the deflection.

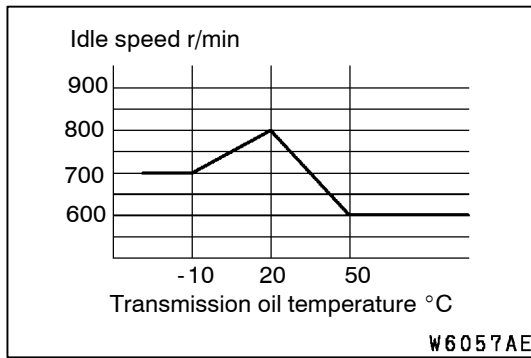
2. If the tension or deflection is outside the standard value, adjust by the following procedure.
 - (1) Loosen tensioner pulley fixing nut A.
 - (2) Adjust the amount of belt deflection using adjusting bolt B.
 - (3) Tighten fixing nut A.

Tightening torque: 25 Nm

- (4) Check the belt deflection amount and tension, and readjust if necessary.

Caution

Check after turning the crankshaft once or more clockwise (right turn).



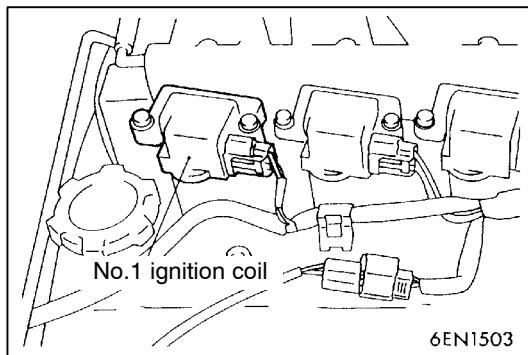
IGNITION TIMING CHECK

- Before inspection, set the vehicle to the pre-inspection condition.
For vehicles with manual transmission, drive the vehicle for 15 minutes or more to warm the engine, and then carry out the checking while the transmission oil temperature is more than 50°C.

NOTE

The idle speed in vehicles with manual transmission varies as shown in the illustration in accordance with the transmission oil temperature.

- Turn off the ignition switch and then connect the MUT-II to the diagnosis connector.



- Set the timing light to the power supply line (terminal No.1) of the ignition coil No.1.

NOTE

The power supply line is looped and also longer than the other ones.

- Start the engine and let it run at idle.
- Use the MUT-II to measure engine idle speed and check that it is within the standard value.

Standard value:

Items	Idle speed r/min
M/T	600 ± 100 (700 ± 100)*
A/T	650 ± 100 (700 ± 100)*

NOTE

*: Indicates the values when more than 4 minutes have passed since the idling condition was started.

- Select No.17 of the MUT-II Actuator test.

NOTE

At this time, the engine speed will become approximately 700 r/min.

- Check that basic ignition timing is within the standard value.

Standard value: 5° BTDC ± 3°

- If the basic ignition timing is outside the standard value, inspect the GDI system while referring to GROUP 13A - Troubleshooting.

9. Press the MUT-II clear key (Select a forced driving cancel mode) to release the Actuator test.

Caution

If the test is not cancelled, a forced driving will continue for 27 minutes. Driving under this condition may damage the engine.

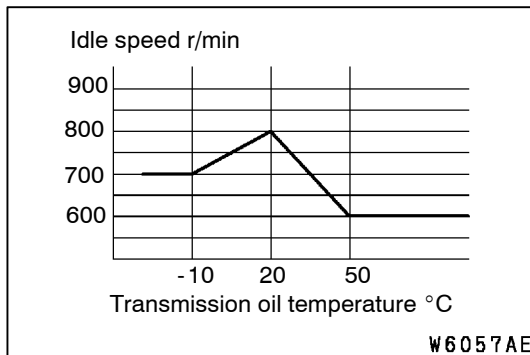
10. Check that ignition timing is at the standard value.

Standard value: approx. 20° BTDC

NOTE

- (1) The ignition timing will become approximately 5° BTDC after more than 4 minutes have passed since the basic ignition timing set mode was released.
- (2) The ignition timing may fluctuate within $\pm 7^\circ$ BTDC. This is normal.
- (3) In higher altitude, the ignition timing is more advanced than the standard value by approximately 5 degree.

11. Remove the timing light.
12. Turn off the ignition switch and then remove the MUT-II.

**IDLE SPEED CHECK**

1. Before inspection, set the vehicle to the pre-inspection condition.
For vehicles with manual transmission, drive the vehicle for 15 minutes or more to warm the engine, and then carry out the checking while the transmission oil temperature is more than 50°C.

NOTE

The idle speed in vehicles with manual transmission varies as shown in the illustration in accordance with the transmission oil temperature.

2. Turn off the ignition switch and then connect the MUT-II to the diagnosis connector.
3. Check the basic ignition timing.

NOTE

Refer to P.11A-10 concerning the check procedure of the basic ignition timing.

Standard value: 5° BTDC \pm 3°

4. Run the engine at idle for 2 minutes.

5. Check the idle speed. Select item No. 22 and take a reading of the idle speed.

Standard value:

Items	Idle speed r/min
M/T	600 ± 100 (700 ± 100)*
A/T	650 ± 100 (700 ± 100)*

NOTE

- (1) *: Indicates the values when more than 4 minutes have passed since the idling condition was started.
 - (2) The idle speed is controlled automatically by the idle speed control system.
6. If the idle speed is outside the standard value, inspect the GDI components by referring to GROUP 13A - Troubleshooting.

IDLE MIXTURE CHECK

1. Before inspection, set the vehicle to the pre-inspection condition.
2. Connect the MUT-II to the diagnosis connector.
3. Check that the basic ignition timing is within the standard value.

NOTE

Refer to P.11A-10 concerning the check procedure of the basic ignition timing.

Standard value: 5° BTDC ± 3°

4. Run the engine at 2,500 r/min for 2 minutes.
5. Set the CO, HC tester.
6. Check the CO contents and the HC contents at idle.

NOTE

This measurement should be performed in less than approximately 4 minutes since the engine speed become the idle speed.

Standard value

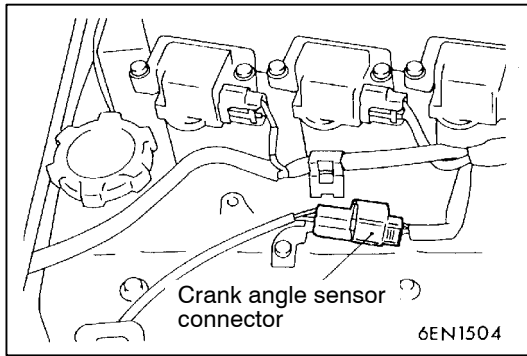
CO contents: 0.5% or less

HC contents: 100 ppm or less

7. If there is a deviation from the standard value, check the following items:
 - Diagnosis output
 - Fuel pressure
 - Injector
 - Ignition coil, spark plug
 - EGR control system
 - Evaporative emission control system
 - Compression pressure

NOTE

Replace the three way catalyst when the CO and HC contents are not within the standard value, even though the result of the inspection is normal on all items.



COMPRESSION PRESSURE CHECK

1. Before inspection, check that the engine oil, starter and battery are normal. In addition, set the vehicle to the pre-inspection condition.
2. Remove all of the ignition coils and spark plugs.
3. Disconnect the crank angle sensor connector.

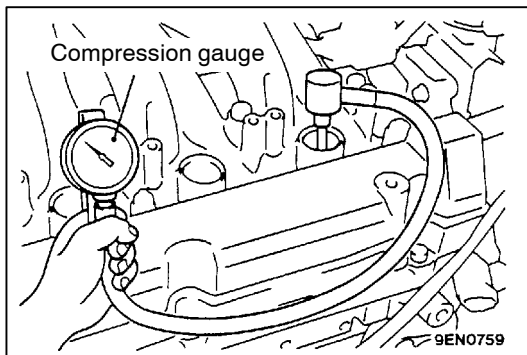
NOTE

Doing this will prevent the engine-ECU from carrying out ignition and fuel injection.

4. Cover the spark plug hole with a shop towel etc., and after the engine has been cranked, check that no foreign material is adhering to the shop towel.

Caution

- (1) **Keep away from the spark plug hole when cranking.**
- (2) **If compression is measured with water, oil, fuel, etc., that has come from cracks inside the cylinder, these materials will become heated and will gush out from the spark plug hole, which is dangerous.**



5. Set compression gauge to one of the spark plug holes.
6. Crank the engine with the throttle valve fully open and measure the compression pressure.

Standard value (at engine speed of 300 r/min):
1,570 kPa

Limit (at engine speed of 300 r/min):
Min. 1,210 kPa

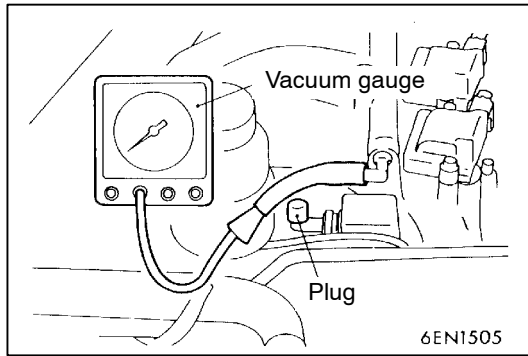
7. Measure the compression pressure for all the cylinders, and check that the pressure differences of the cylinders are below the limit.

Limit: Max. 100 kPa

8. If there is a cylinder with compression or a compression difference that is outside the limit, pour a small amount of engine oil through the spark plug hole, and repeat the operations in steps 6 and 7.
 - (1) If the compression increases after oil is added, the cause of the malfunction is a worn or damaged piston ring and/or cylinder inner surface.
 - (2) If the compression does not rise after oil is added, the cause is a burnt or defective valve seat, or pressure is leaking from the gasket.
9. Connect the crank angle sensor connector.
10. Install the spark plugs and ignition coils.
11. Use the MUT-II to erase the diagnosis codes.

NOTE

This will erase the diagnosis code resulting from the crank angle sensor connector being disconnected.



MANIFOLD VACUUM CHECK

1. Before inspection, set the vehicle to the pre-inspection condition.
2. Disconnect the ventilation hose from the positive crankcase ventilation (PCV) valve, and then connect a vacuum gauge to the ventilation hose.
3. Check the intake manifold vacuum while the engine is idling.

Limit: Min. 56 kPa

LASH ADJUSTER CHECK

If an abnormal noise (knocking) that seems to be coming from the lash adjuster is heard after starting the engine and does not stop, carry out the following check.

NOTE

- (1) The abnormal noise which is caused by a problem with the lash adjusters is generated after the engine is started, and will vary according to the engine speed. However, this noise is not related to the actual engine load.

Because of this, if the noise does not occur immediately after the engine is started, if it does not change in accordance with the engine speed, or if it changes in accordance with the engine load, the source of the noise is not the lash adjusters.

- (2) If there is a problem with the lash adjusters, the noise will almost never disappear, even if the engine has been run at idle to let it warm up.

The only case where the noise might disappear is if the oil in the engine has not been looked after properly and oil sludge has caused the lash adjusters to stick.

1. Start the engine.
2. Check that the noise occurs immediately after the engine is started, and that the noise changes in accordance with changes in the engine speed.

If the noise does not occur immediately after the engine is started, or if it does not change in accordance with the engine speed, the problem is not being caused by the lash adjusters, so check for some other cause of the problem. Moreover, if the noise does not change in accordance with the engine speed, the cause of the problem is probably not with the engine. (In these cases, the lash adjusters are normal.)

3. While the engine is idling, check that the noise level does not change when the engine load is varied (for example, by shifting from N → D).

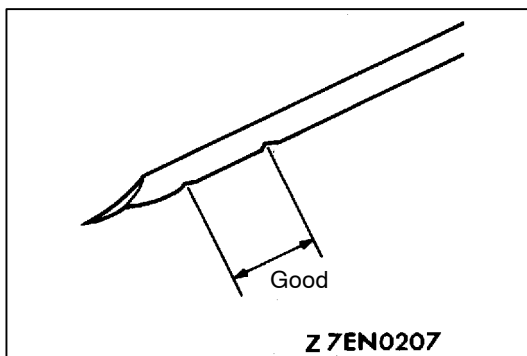
If the noise level changes, the cause of the noise is probably parts striking because of worn crankshaft bearings or connecting rod bearings. (In such cases, the lash adjusters are normal.)

4. After the engine has warmed up, run it at idle and check if any noise can be heard.
If the noise has become smaller or disappeared, oil sludge could make the lash adjusters stick. Clean the lash adjusters. (Refer to the Engine Workshop Manual.) If not improved, go to step 5.
5. Bleed air from the lash adjusters. (Refer to P.11A-15.)
6. If the noise has not disappeared even after the air bleeding, clean the lash adjusters. (Refer to the Engine Workshop Manual.)

<LASH ADJUSTER AIR BLEEDING>

NOTE

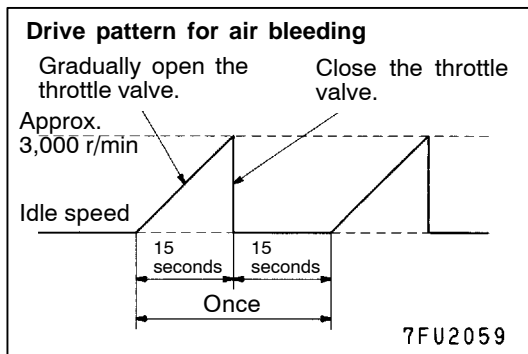
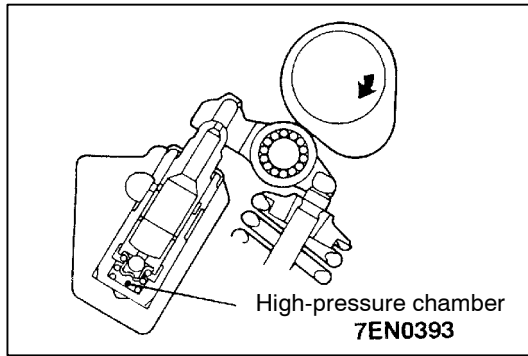
- (1) If the vehicle is parked on a slope for a long period of time, the amount of oil inside the lash adjuster will decrease, and air may get into the high pressure chamber when starting the engine.
- (2) After parking the vehicle for long periods, the oil drains out of the oil passage, and it takes time for the oil to be supplied to the lash adjuster, so air can get into the high pressure chamber.
- (3) If either of the above situations occur, the abnormal noise can be eliminated by bleeding the air from inside the lash adjusters.



1. Check the engine oil and replenish or replace the oil if necessary.

NOTE

- (1) If there is a only small amount of oil, air will be drawn in through the oil screen and will get into the oil passage.
- (2) If the amount of oil is greater than normal, then the oil will being mixed by the crankshaft and a large amount of air may get mixed into the oil.
- (3) If the oil is degenerated, air and oil will not separate easily in oil, and the amount of air mixed into the oil will increase.



(4) If the air which has been mixed in with the oil due to any of the above reasons gets into the high pressure chamber of the lash adjuster, the air inside the high pressure chamber will be compressed when the valve is open and the lash adjuster will over-compress, resulting in abnormal noise when the valve closes. This is the same effect as if the valve clearance is adjusted to be too large by mistake. If the air inside the lash adjusters is then released, the operation of the lash adjusters will return to normal.

2. Run the engine at idle for 1 - 3 minutes to let it warm up.
3. With no load on the engine, repeat the drive pattern shown in the illustration at left and check if the abnormal noise disappears. (The noise should normally disappear after 10 - 30 repetitions, but if there is no change in the noise level after 30 repetitions or more, the problem is probably not due to air inside the lash adjusters.)
4. After the noise has disappeared, repeat the drive pattern shown in the illustration at left a further 5 times.
5. Run the engine at idle for 1 - 3 minutes and check that the noise has disappeared.

CRANKSHAFT PULLEY

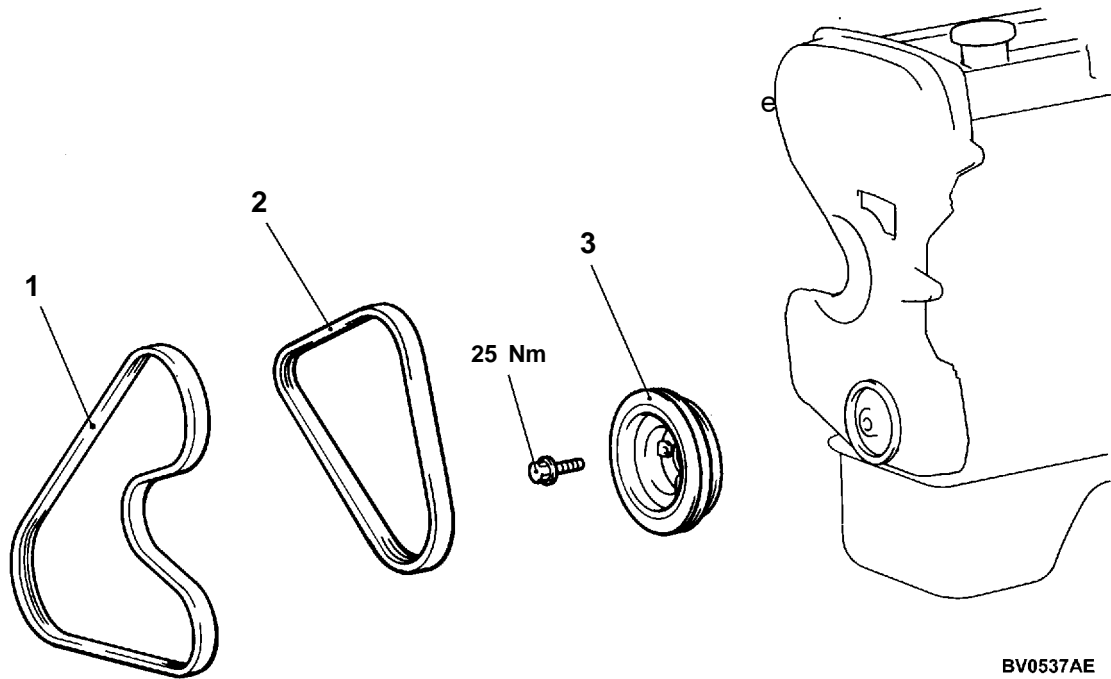
11200160303

REMOVAL AND INSTALLATION

Pre-removal Operation
Under Cover Removal

Post-installation Operation

- Drive Belt Tension Adjustment (Refer to P.11A-6.)
- Under Cover Installation

**Removal steps**

1. Drive belt (Power steering and A/C)

2. Drive belt (Alternator)
3. Crankshaft pulley

CAMSHAFT AND CAMSHAFT OIL SEAL

11200190418

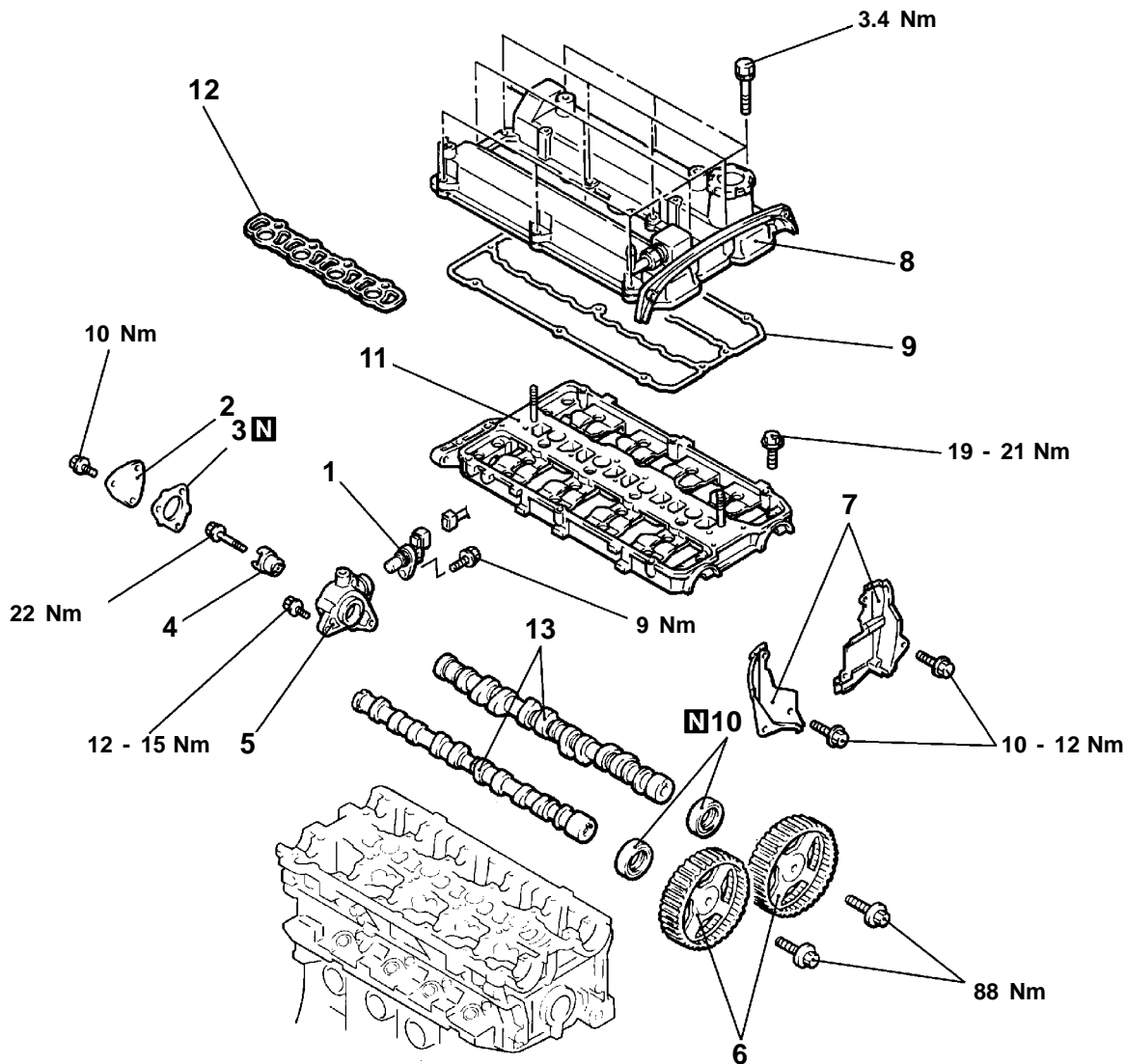
REMOVAL AND INSTALLATION

Pre-removal Operation

- Air Intake Hose Assembly Removal
- Timing Belt Removal (Refer to P.11A-30.)
- Engine Coolant Draining
- Intake Manifold Removal (Refer to GROUP 15.)
- Fuel Pump (High Pressure) Removal (Refer to GROUP 13A.)

Post-installation Operation

- Fuel Pump (High Pressure) Installation (Refer to GROUP 13A.)
- Intake Manifold Installation (Refer to GROUP 15.)
- Timing Belt Installation (Refer to P.11A-30.)
- Air Intake Hose Assembly Installation
- Engine Coolant Supplying
- Drive Belt Tension Adjustment (Refer to P.11A-6.)

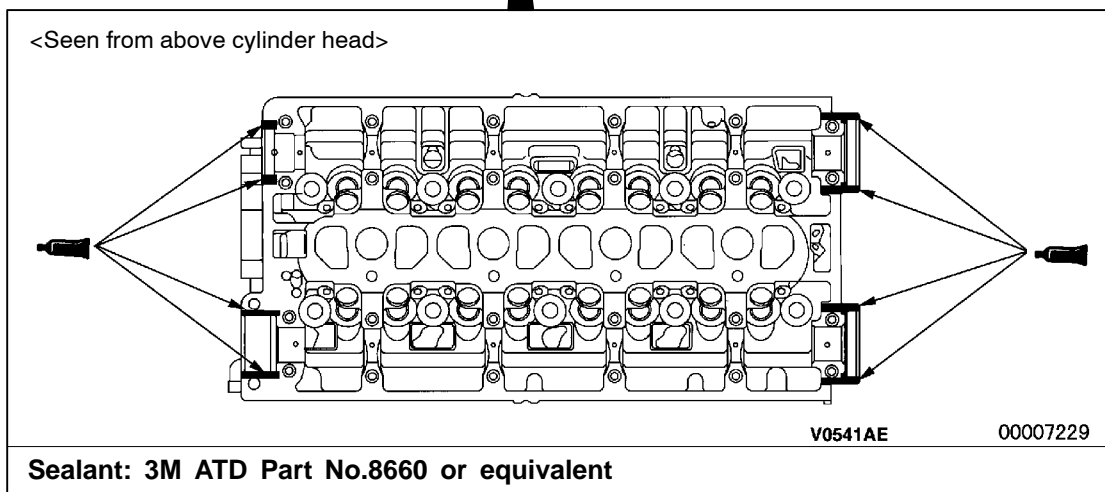
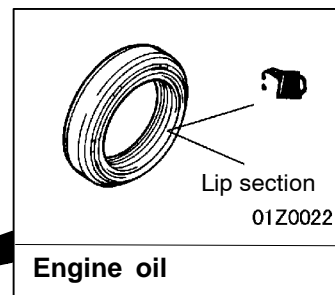
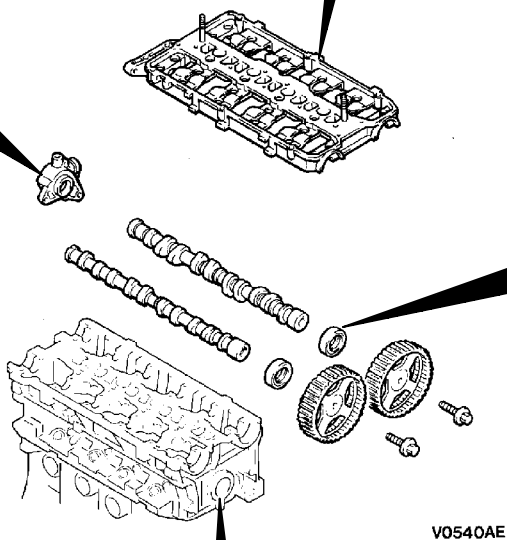
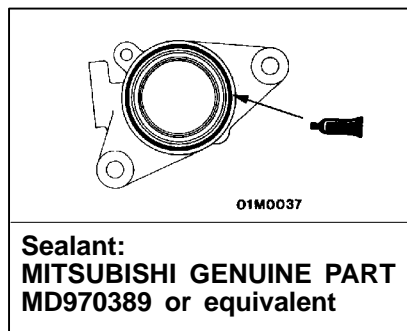
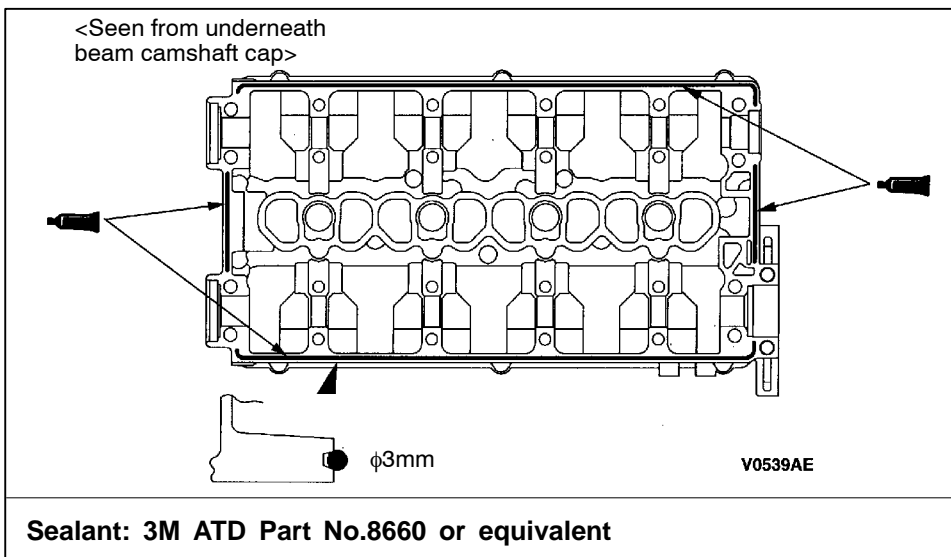


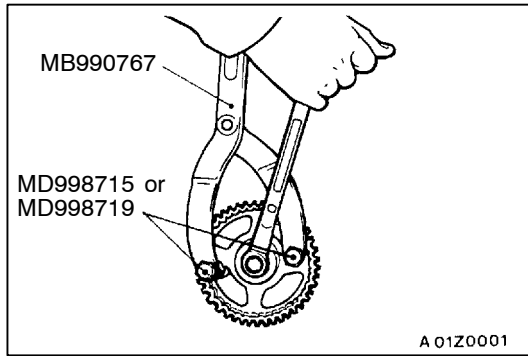
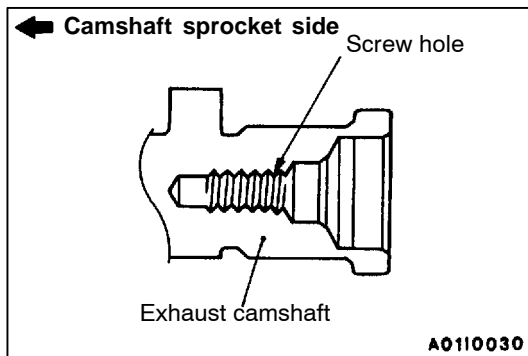
AV0538AE

Removal steps

- | | | | |
|-----|---------------------------------------|-----|------------------------------|
| | 1. Cam position sensor | | 8. Rocker cover |
| | 2. Cover | | 9. Rocker cover gasket |
| | 3. Gasket | ▶C◀ | 10. Camshaft oil seal |
| ▶E◀ | 4. Camshaft position sensing cylinder | ▶B◀ | 11. Beam camshaft cap |
| ▶D◀ | 5. Camshaft position sensor support | ▶A◀ | 12. Beam camshaft cap gasket |
| ▶A◀ | 6. Camshaft sprocket | | 13. Camshaft |
| | 7. Timing belt rear cover | | |

Lubrication points

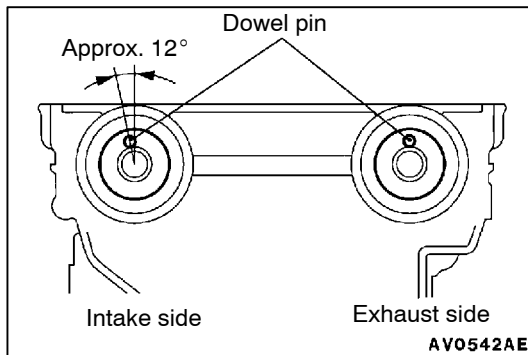


**REMOVAL SERVICE POINTS****◀▶ CAMSHAFT SPROCKET REMOVAL****INSTALLATION SERVICE POINTS****▶A◀ CAMSHAFT INSTALLATION**

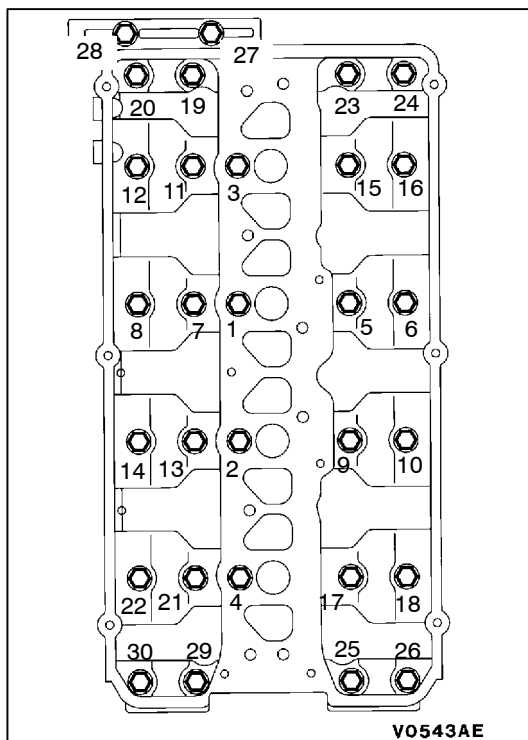
1. Apply engine oil to journals and cams of the camshafts.
2. Install the camshafts on the cylinder head.

Caution

Be careful not to confuse the intake camshaft with the exhaust one. There is a screw hole for the cam position sensing cylinder mounting bolt on the exhaust-side camshaft.

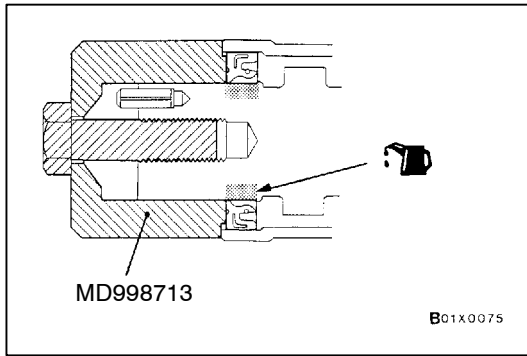
**▶B◀ BEAM CAMSHAFT CAP INSTALLATION**

1. Place the camshaft dowel pin as shown in the illustration.



2. Tighten the beam camshaft cap mounting bolts to the specified torque in the order shown in the illustration.

Tightening torque: 19 - 21 Nm

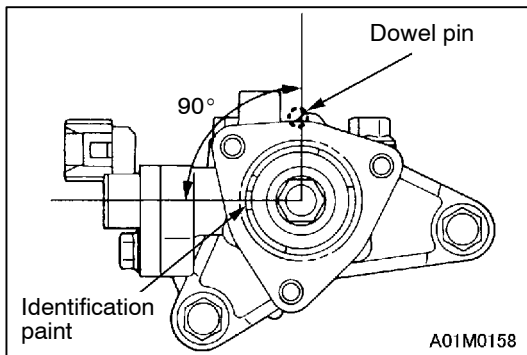
**►C◄ CAMSHAFT OIL SEAL INSTALLATION**

1. Apply engine oil to the entire circumference of the oil seal lip.
2. Press-fit the oil seal as shown in the illustration.

►D◄ CAMSHAFT SPROCKET INSTALLATION

Use the special tool to secure the camshaft sprocket in the same way as during removal, and then tighten the bolt to the specified torque.

Tightening torque: 88 Nm

**►E◄ CAM POSITION SENSING CYLINDER INSTALLATION**

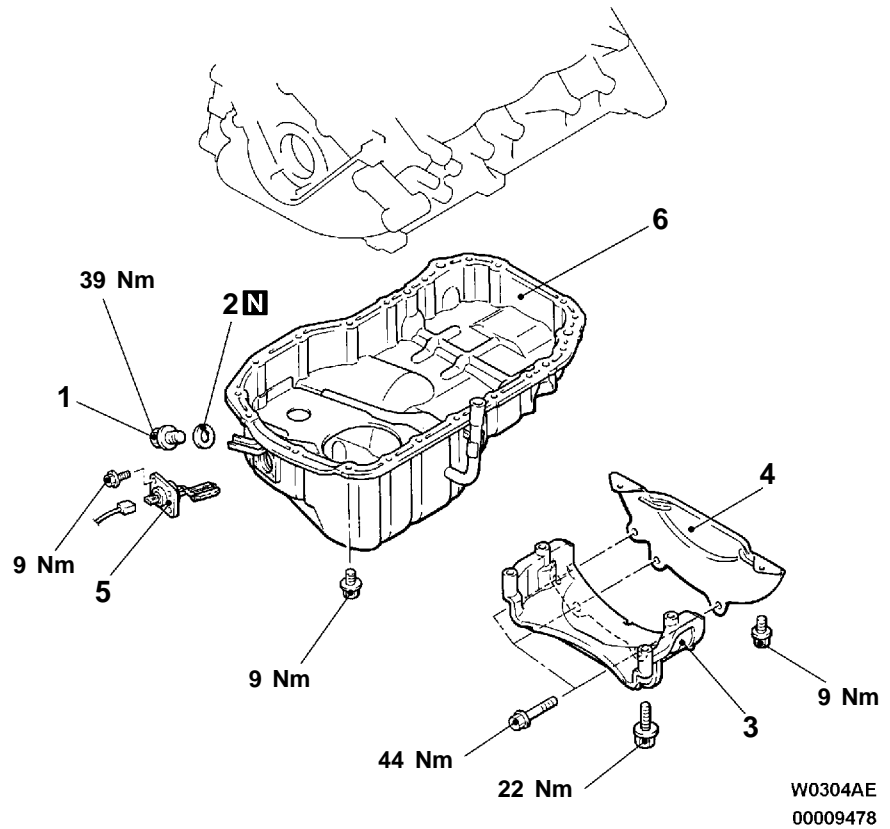
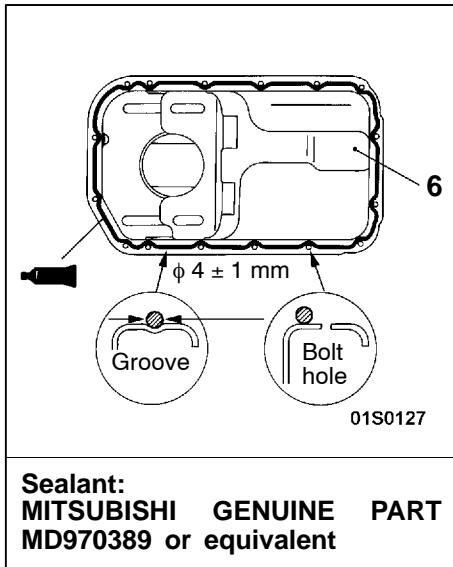
Position the identification point of cam position sensing cylinder as shown in the illustration.

OIL PAN

REMOVAL AND INSTALLATION

Pre-removal and Post-installation Operation

- Under Cover Removal and Installation
- Engine Oil Draining and Supplying (Refer to GROUP 12 - On-vehicle Service.)
- Oil Level Gauge Removal and Installation
- Front Exhaust Pipe Removal and Installation (Refer to GROUP 15.)

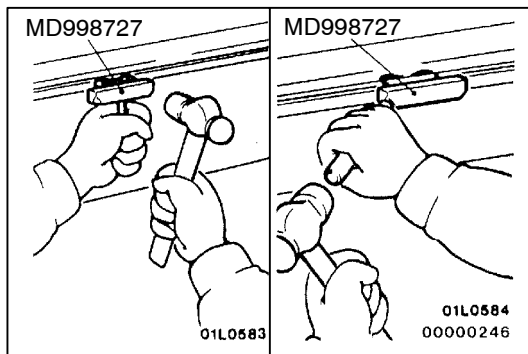


Removal steps

- ▶◀ A ▶
1. Drain plug
 2. Drain plug gasket
 3. Transmission stay



4. Bell housing cover
5. Oil level sensor
6. Oil pan



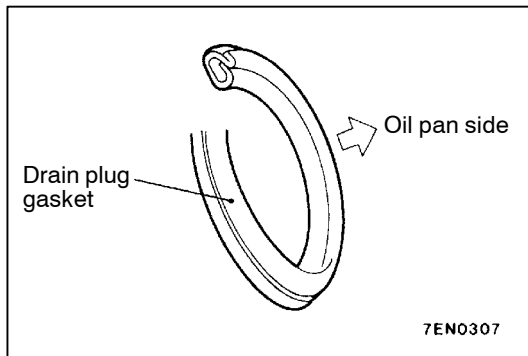
REMOVAL SERVICE POINT

◀▶ OIL PAN REMOVAL

After removing the oil pan mounting bolts, remove the oil pan with the special tool and a brass bar.

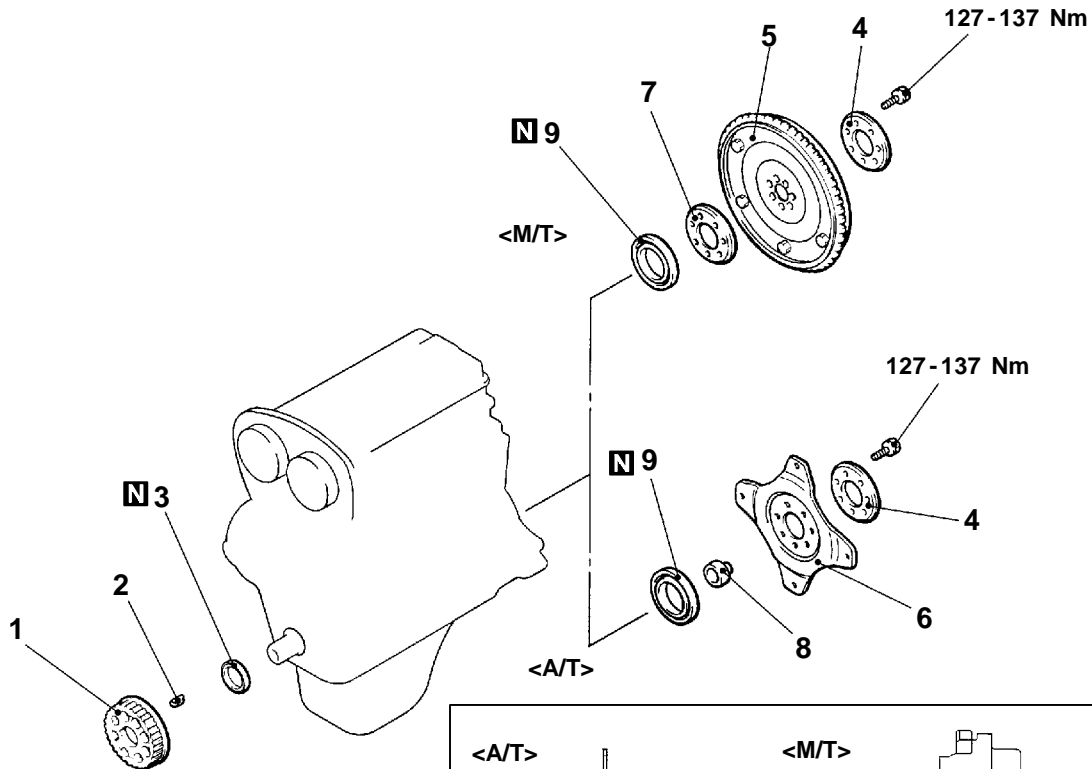
Caution

Perform this slowly to avoid deformation of the oil pan flange.

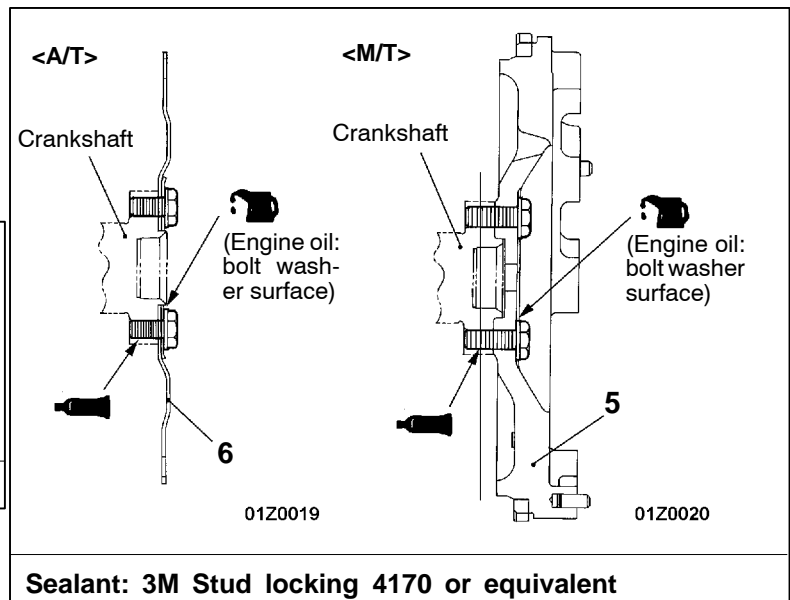
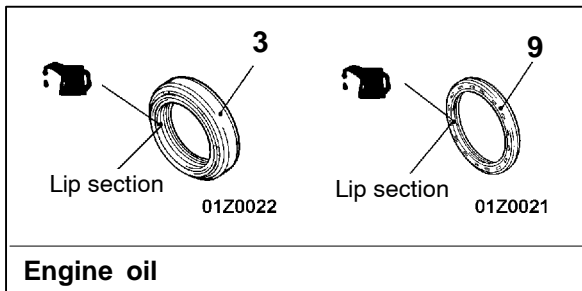
**INSTALLATION SERVICE POINT****▶A◀ DRAIN PLUG GASKET INSTALLATION**

Install the drain plug gasket in the direction so that it faces as shown in the illustration.

CRANKSHAFT OIL SEAL REMOVAL AND INSTALLATION



W0305AE
00009480

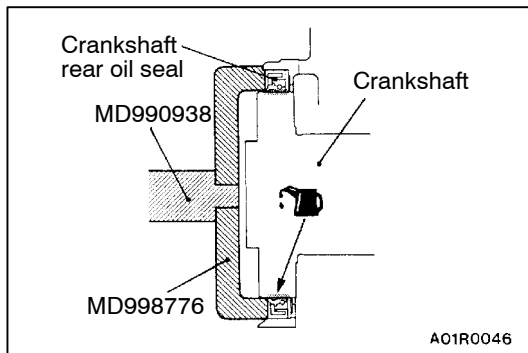
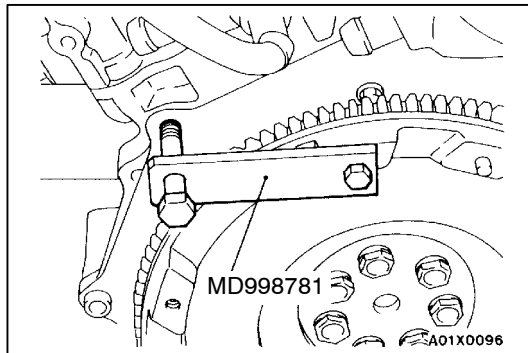
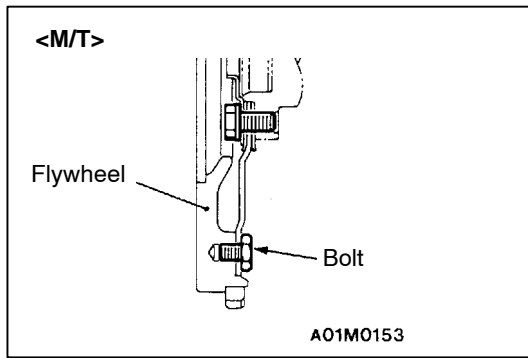


Crankshaft front oil seal removal steps

- Timing belt (Refer to P.11A-30.)
- 1. Crankshaft sprocket B
- 2. Key
- ▶C◀ 3. Crankshaft front oil seal

Crankshaft rear oil seal removal steps

- ▶A◀
- Transmission assembly
- Clutch cover and disc <M/T>
- ▶B◀ 4. Adapter plate
- ▶B◀ 5. Flywheel <M/T>
- ▶B◀ 6. Drive plate <A/T>
- ▶B◀ 7. Adapter plate <M/T>
- ▶B◀ 8. Crankshaft bushing <A/T>
- ▶A◀ 9. Crankshaft rear oil seal



REMOVAL SERVICE POINTS

◀A▶ TRANSMISSION ASSEMBLY REMOVAL

<M/T>:

Refer to GROUP 22.

Caution

Do not remove the flywheel mounting bolt shown by the arrow. If this bolt is removed, the flywheel will become out of balance and damaged.

<A/T>:

Refer to GROUP 23.

◀B▶ ADAPTER PLATE/FLYWHEEL <M/T>/DRIVE PLATE <A/T> REMOVAL

Use the special tool to secure the flywheel or drive plate, and remove the bolts.

INSTALLATION SERVICE POINTS

▶A◀ CRANKSHAFT REAR OIL SEAL INSTALLATION

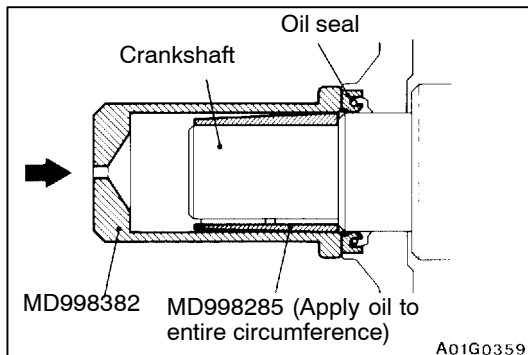
1. Apply a small amount of engine oil to the entire circumference of the oil seal lip.
2. Install the oil seal by tapping it as far as the chamfered position of the oil seal case as shown in the illustration.

►B◄ DRIVE PLATE <A/T>/FLYWHEEL <M/T>/ADAPTER PLATE INSTALLATION

1. Clean off all sealant, oil and other substances which are adhering to the threaded bolts, crankshaft thread holes and the flywheel or drive plate.
2. Apply oil to the bearing surface of the flywheel or drive plate bolts.
3. Apply oil to the crankshaft thread holes.
4. Apply sealant to the threaded mounting holes.

Specified sealant: 3M Stud locking 4170 or equivalent

5. Use the special tool to hold the flywheel or drive plate in the same manner as removal, and install the bolt.



►C◄ CRANKSHAFT FRONT OIL SEAL INSTALLATION

1. Apply a small amount of engine oil to the entire circumference of the oil seal lip.
2. Use the special tool to press-fit the oil seal unit it is flush with the oil seal case.

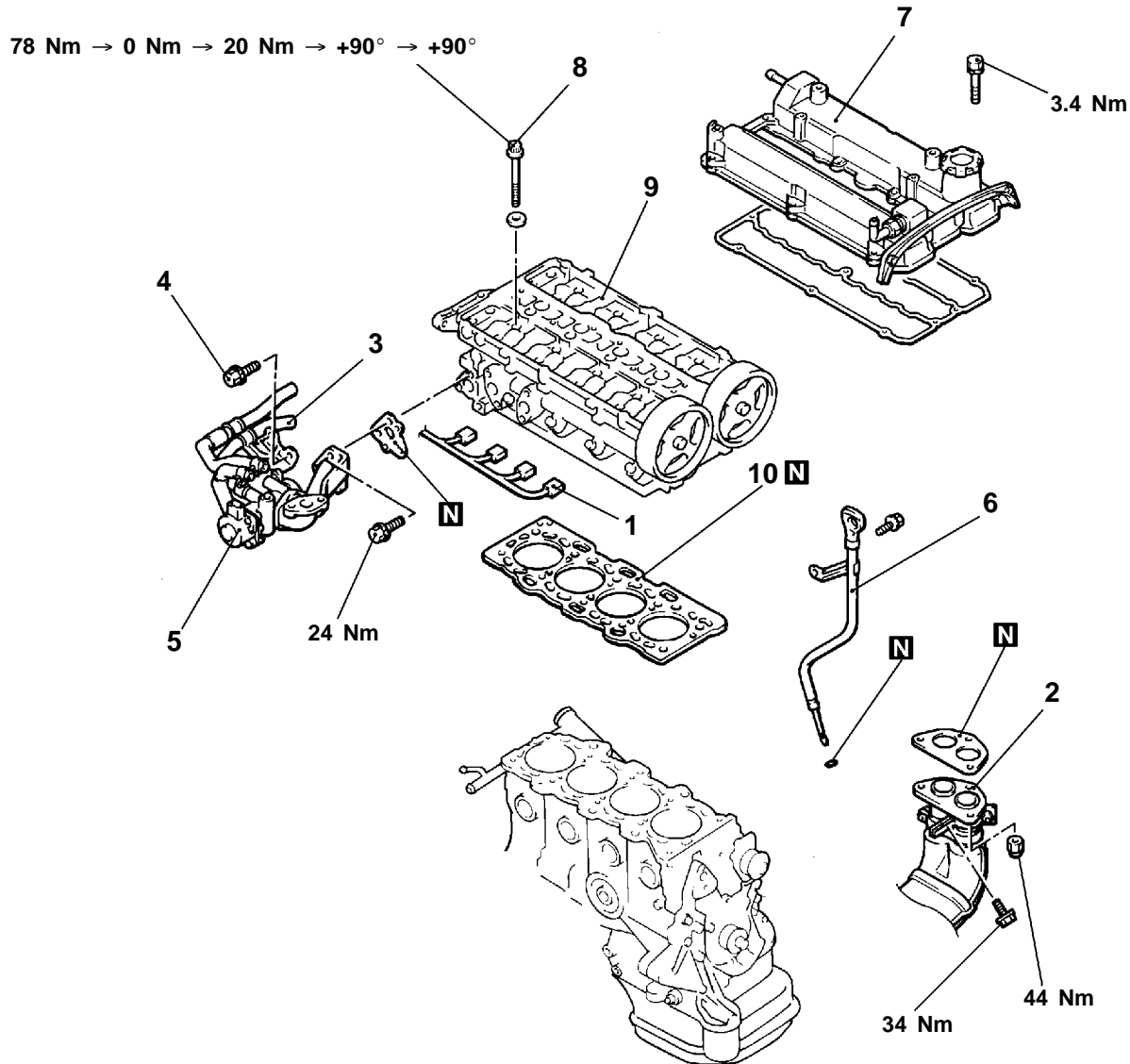
CYLINDER HEAD GASKET

11200400542

REMOVAL AND INSTALLATION

Pre-removal and Post-installation Operation

- Fuel Discharge Prevention (Refer to GROUP 13A - On-vehicle Service.) <Pre-removal only>
- Engine Coolant Draining and Supplying (Refer to GROUP 14 - On-vehicle Service.)
- Engine Oil Draining and Supplying (Refer to GROUP 12 - On-vehicle Service.)
- Intake Manifold Removal and Installation (Refer to GROUP 15.)
- Fuel Pressure Regulator (High Pressure) and Fuel Pump (High Pressure) Removal and Installation (Refer to GROUP 13A.)
- Thermostat Case Assembly Removal and Installation (Refer to GROUP 14 - Water Hose and Pipe.)
- Timing Belt Removal and Installation (Refer to P.11A-30.)



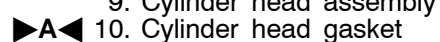
AV0551AE

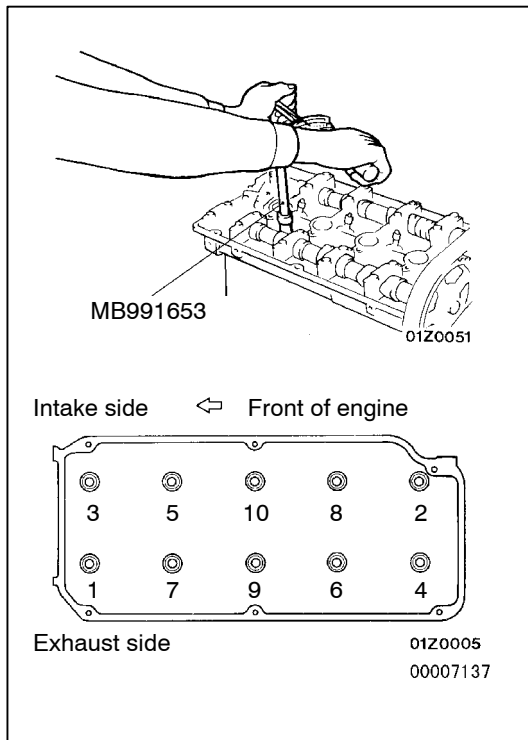
Removal steps

1. Injector harness connector
2. Front exhaust pipe connection
3. Water hose connection
4. Water pipe assembly mounting bolt
5. EGR valve and stay assembly



6. Engine oil level gauge
7. Rocker cover
8. Cylinder head bolt
9. Cylinder head assembly
10. Cylinder head gasket





REMOVAL SERVICE POINT

◀A▶ CYLINDER HEAD BOLT REMOVAL

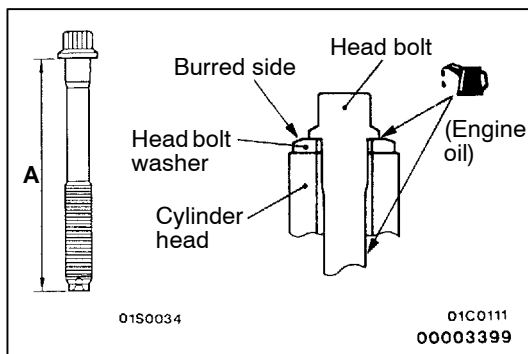
Use the special tool to loosen the bolts in two or three steps in the order of the numbers shown in the illustration, and then remove the bolts.

If the washer is caught on valve spring and the bolt is not removed, pull up the bolt slightly and remove the bolt while tilting the washer by using a magnet, etc.

INSTALLATION SERVICE POINTS

▶A◀ CYLINDER HEAD GASKET INSTALLATION

1. Wipe off all oil and grease from the gasket mounting surface.
2. Install so that the shapes of the cylinder head holes match the shapes of the respective cylinder head gasket holes.

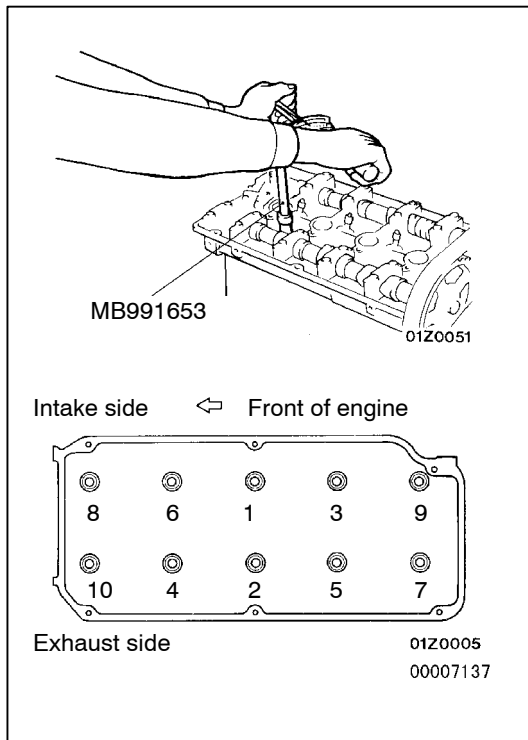


▶B◀ CYLINDER HEAD BOLT INSTALLATION

1. When installing the cylinder head bolts, the length below the head of the bolts should be within the limit. If it is outside the limit, replace the bolts.

Limit (A): 99.4 mm

2. The head bolt washer should be installed with the burred side caused by tapping out facing upwards.
3. Apply a small amount of engine oil to the thread section and the washer of the cylinder head bolt.

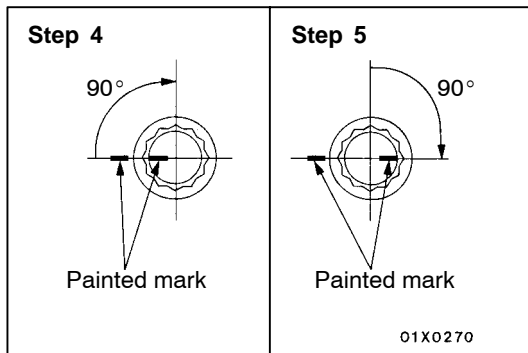


4. Tighten the bolts by the following procedure.

Step	Operation	Remarks
1	Tighten to 78 Nm.	Carry out in the order shown in the illustration.
2	Fully loosen.	Carry out in the reverse order of that shown in the illustration.
3	Tighten to 20 Nm.	Carry out in the order shown in the illustration.
4	Tighten 90° of a turn.	In the order shown in the illustration. Mark the head of the cylinder head bolt and cylinder head by paint.
5	Tighten 90° of a turn.	In the order shown in the illustration. Check that the painted mark of the head bolt is lined up with that of the cylinder head.

Caution

1. Always make a tightening angle just 90°. If it is less than 90°, the head bolt will be loosened.
2. If it is more than 90°, remove the head bolt and repeat the procedure from step 1.



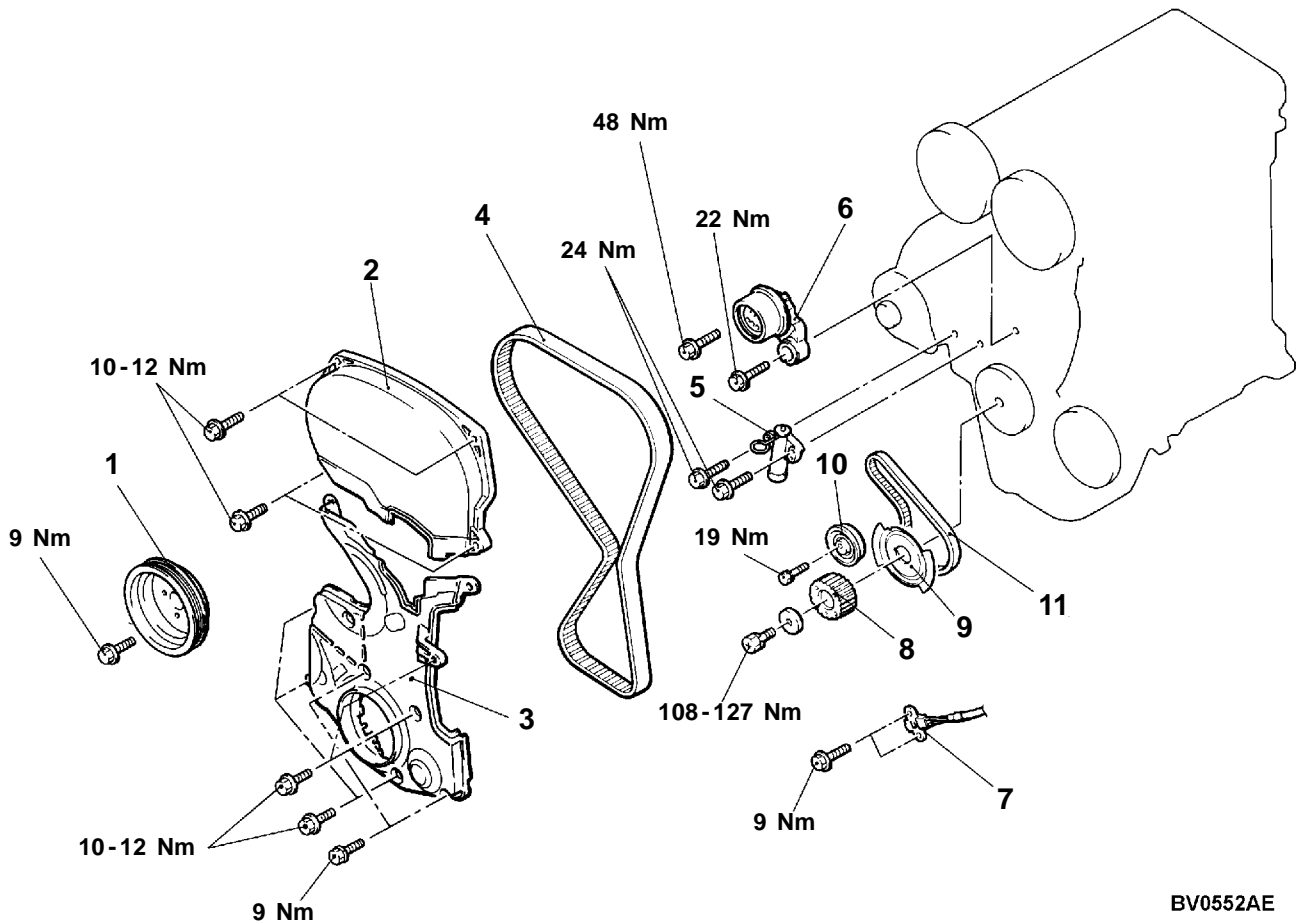
TIMING BELT AND TIMING BELT B

11200430473

REMOVAL AND INSTALLATION

Pre-removal and Post-installation Operation

- Engine Cover Removal and Installation
- Under Cover Removal and Installation
- Crankshaft Pulley Removal and Installation (Refer to P.11A-17.)
- Engine Mount Bracket Removal and Installation (Refer to GROUP 32 - Engine Mounting.)



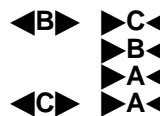
BV0552AE

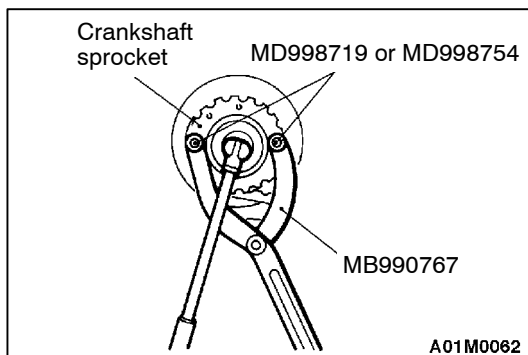
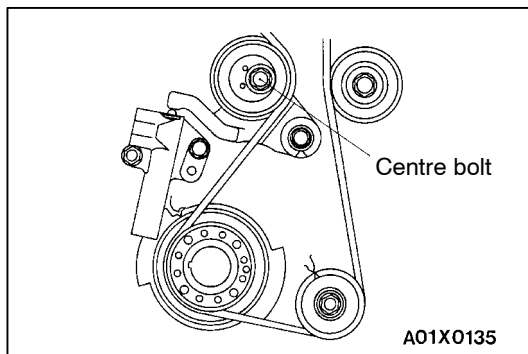
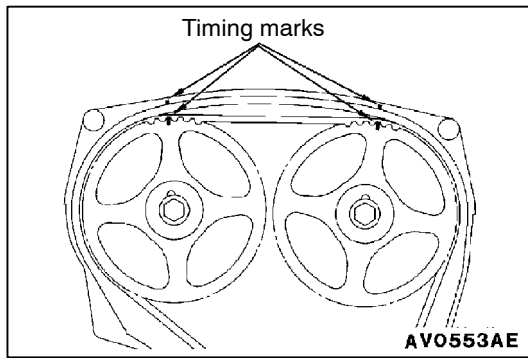
Removal steps

1. Water pump pulley
2. Timing belt front upper cover
3. Timing belt front lower cover
- Timing belt tension adjustment
4. Timing belt
5. Auto tensioner



6. Tensioner pulley assembly
7. Crankshaft position sensor
8. Crankshaft sprocket
9. Crankshaft sensing blade
10. Timing belt B tensioner
11. Timing belt B





REMOVAL SERVICE POINT

◀A▶ TIMING BELT REMOVAL

1. Turn the crankshaft clockwise (right turn) to align each timing mark and to set the No. 1 cylinder at compression top dead centre.

Caution

The crankshaft should always be turned only clockwise.

2. Loosen the tension pulley centre bolt.
3. Move the tension pulley to the water pump side, and then remove the timing belt.

Caution

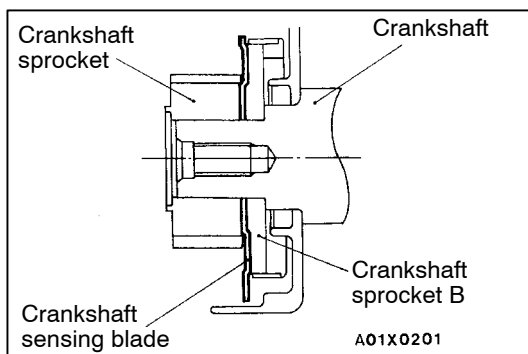
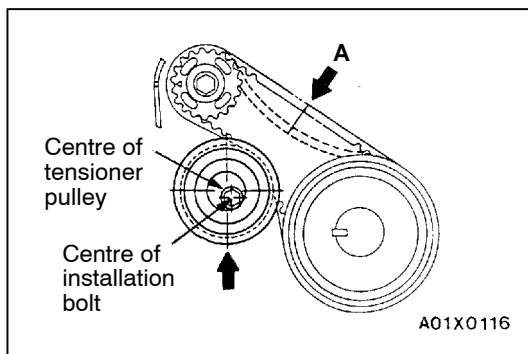
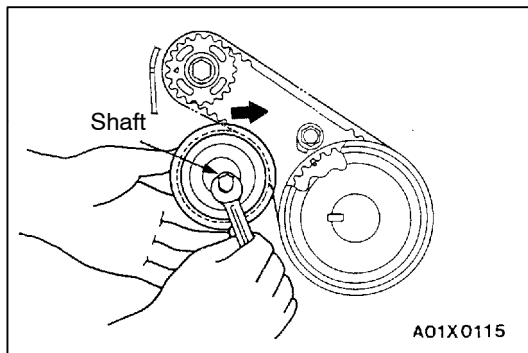
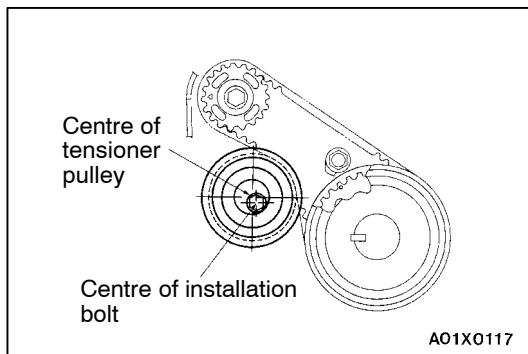
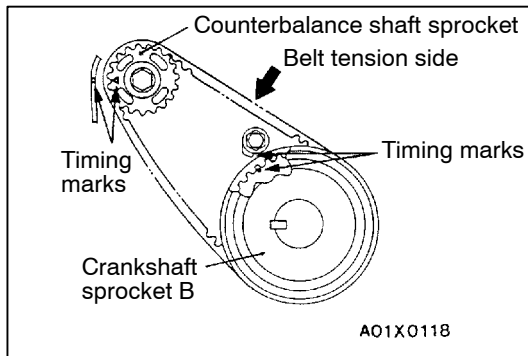
If the timing belt is to be re-used, use chalk to mark (on its flat side) an arrow indicating the clockwise direction.

◀B▶ CRANKSHAFT SPROCKET REMOVAL

◀C▶ TIMING BELT B REMOVAL

Caution

If timing belt B is to be re-used, use chalk to mark it with an arrow on its flat side indicating the turning direction (to the right).



INSTALLATION SERVICE POINTS

►A◄ TIMING BELT B/TIMING BELT B TENSIONER INSTALLATION

1. Install timing belt B by the following procedure.
 - (1) Ensure that crankshaft sprocket B timing mark and the counterbalance shaft sprocket timing mark are aligned.
 - (2) Fit timing belt B over crankshaft sprocket B and the counterbalance shaft sprocket. Ensure that there is no slack in the belt.
2. Adjust the tension of timing belt B by the following procedure.
 - (1) Temporarily fix the timing belt B tensioner such that the centre of the tensioner pulley is to the left and above the centre of the installation bolt, and temporarily attach the tensioner pulley so that the flange is toward the front of the engine.
 - (2) Holding the timing belt B tensioner up with your finger in the direction of the arrow, place pressure on the timing belt so that the tension side of the belt is taut. Now tighten the bolt to fix the tensioner.

Caution

When tightening the bolt, ensure that the tensioner pulley shaft does not rotate with the bolt. Allowing it to rotate with the bolt can cause excessive tension on the belt.

3. To ensure that the tension is correct, depress the belt (point A) with a finger. If not, adjust.

Standard value: 5 - 7 mm

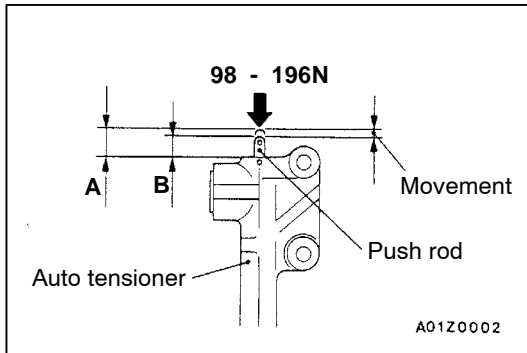
►B◄ CRANKSHAFT SENSING BLADE INSTALLATION

Confirm the installation direction of crankshaft sensing blade and install it as shown in the illustration.

►C◄ CRANKSHAFT SPROCKET INSTALLATION

1. Apply the minimum amount of engine oil to the seat surface and thread of the crankshaft bolt.
2. Hold the crankshaft sprocket as same as for removal, and then tighten the bolt to the specified torque.

Tightening torque: 108 - 127 Nm

**►D◄ AUTO TENSIONER INSTALLATION**

1. Apply 98 - 196 N force to the auto tensioner by pressing it against a metal (cylinder block, etc.), and measure the movement of the push rod.

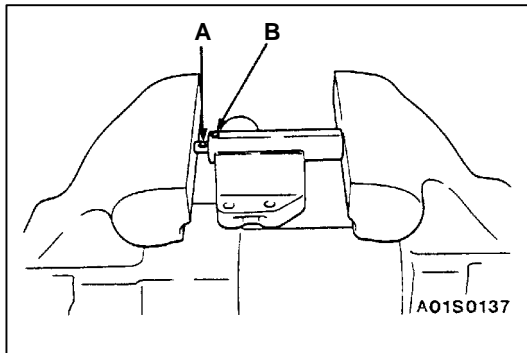
Standard value: Within 1 mm

A: Length when it is free (not pressed)

B: Length when it is pressed

A - B: Movement

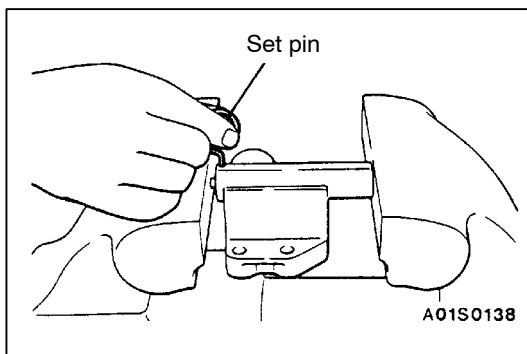
2. If it is out of the standard value, replace the auto tensioner.



3. Use a press or vice to gently compress the auto tensioner push rod until pin hole A of the push rod and pin hole B of the tensioner cylinder are aligned.

Caution

If the compression speed is too fast, the rod may become damaged, so be sure to carry out this operation slowly.

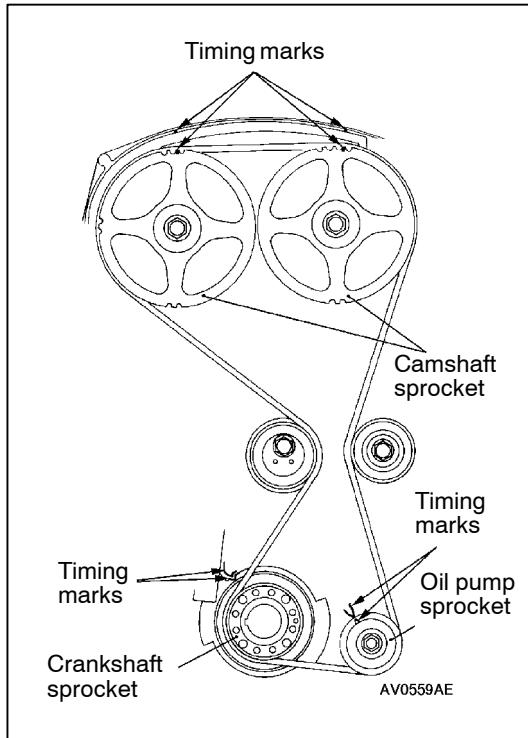


4. Once the holes are aligned, insert the set pin.

NOTE

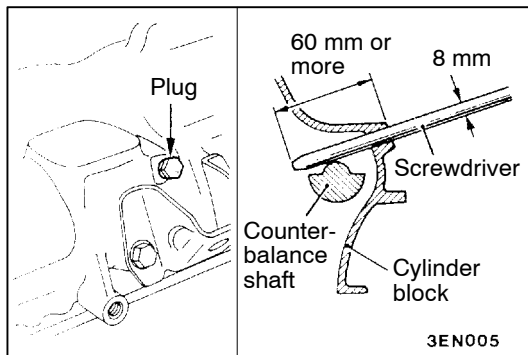
When replacing the auto tensioner with a new part, the pin will be in the auto tensioner.

5. Install the auto tensioner to the engine.

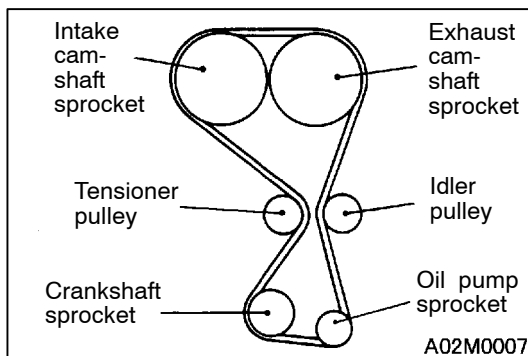


►E◄ TIMING BELT INSTALLATION

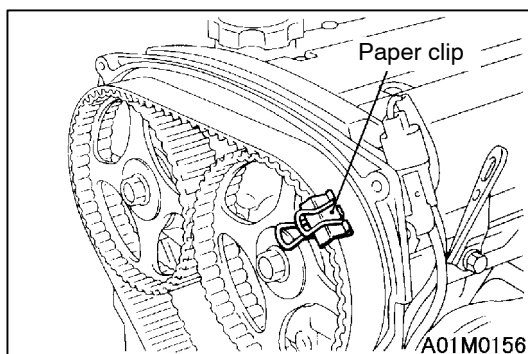
1. Align the timing marks on the camshaft sprocket, crankshaft sprocket and oil pump sprocket.



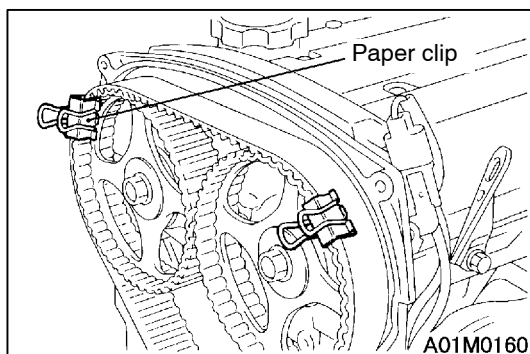
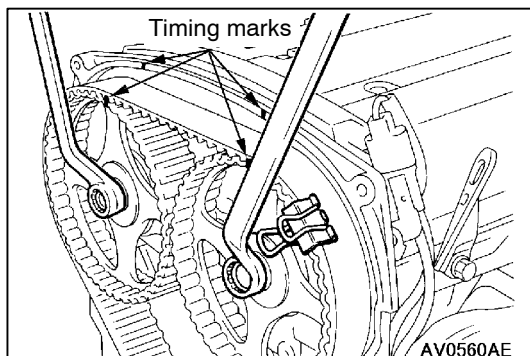
2. After aligning the timing mark on the oil pump sprocket, remove the cylinder block plug and insert a Phillips screwdriver with a diameter of 8 mm, and check to be sure that the screwdriver goes in 60 mm or more. If the screwdriver will only go in 20 - 25 mm before striking the counterbalance shaft, turn the sprocket once, realign the timing mark and check that the screwdriver goes in 60 mm or more. The screwdriver should not be taken out until the timing belt is installed.



3. Install the timing belt by the following procedure. Take care not to slacken the belt at the tension side.
 - (1) Install the timing belt to the crankshaft sprocket, oil pump sprocket and idler pulley in that order.,



- (2) Place the timing belt on the exhaust-side camshaft sprocket, and hold it in the position shown in the illustration with a paper clip.



(3) Place the timing belt on the intake-side sprocket while using two wrenches to align the timing marks.

(4) Hold the belt in the position shown in the illustration with another paper clip.

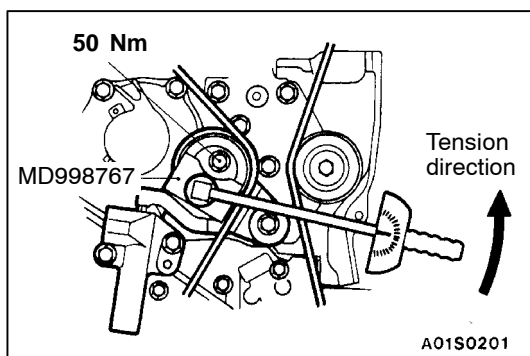
(5) Place the timing belt on the tensioner pulley.

(6) Remove the two paper clips.

Caution

After installing the timing belt, apply force to turn the camshaft sprocket in the reverse direction, and recheck to be sure that the belt is fully tensioned and that each timing mark is in the proper position.

4. Set the tension pulley so that the pin holes of centre bolt are at the bottom, press the tension pulley lightly against the timing belt, and then provisionally tighten the centre bolt.
5. Check to be sure that all timing marks are aligned.
6. Adjust the timing belt tension.



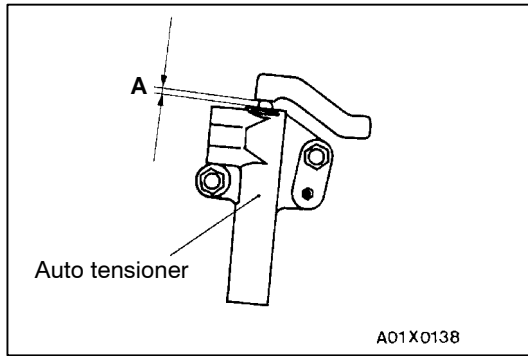
►F◄ TIMING BELT TENSION ADJUSTMENT

1. After turning the crankshaft 1/4 of a revolution in the anticlockwise direction, turn it in the clockwise direction until the timing marks are aligned.
2. Loosen the tension pulley fixing bolt, and then use the special tool and a torque wrench to tighten the fixing bolt to the specified torque while applying tension to the timing belt.

Standard value: 3.5 Nm <Timing belt tension torque>

Caution

When tightening the fixing bolt, make sure that the tension pulley does not turn with the bolt.



3. Turn the crankshaft two revolutions in the clockwise direction so that the timing marks are aligned. After leaving it for 15 minutes, measure the amount of protrusion of the auto tensioner.

Standard value (A): 3.8 - 4.5 mm

4. If the amount of protrusion is outside the standard value, repeat the operation in steps (1) to (3).
5. Check again to be sure that the timing marks of each sprocket are aligned.

ENGINE ASSEMBLY

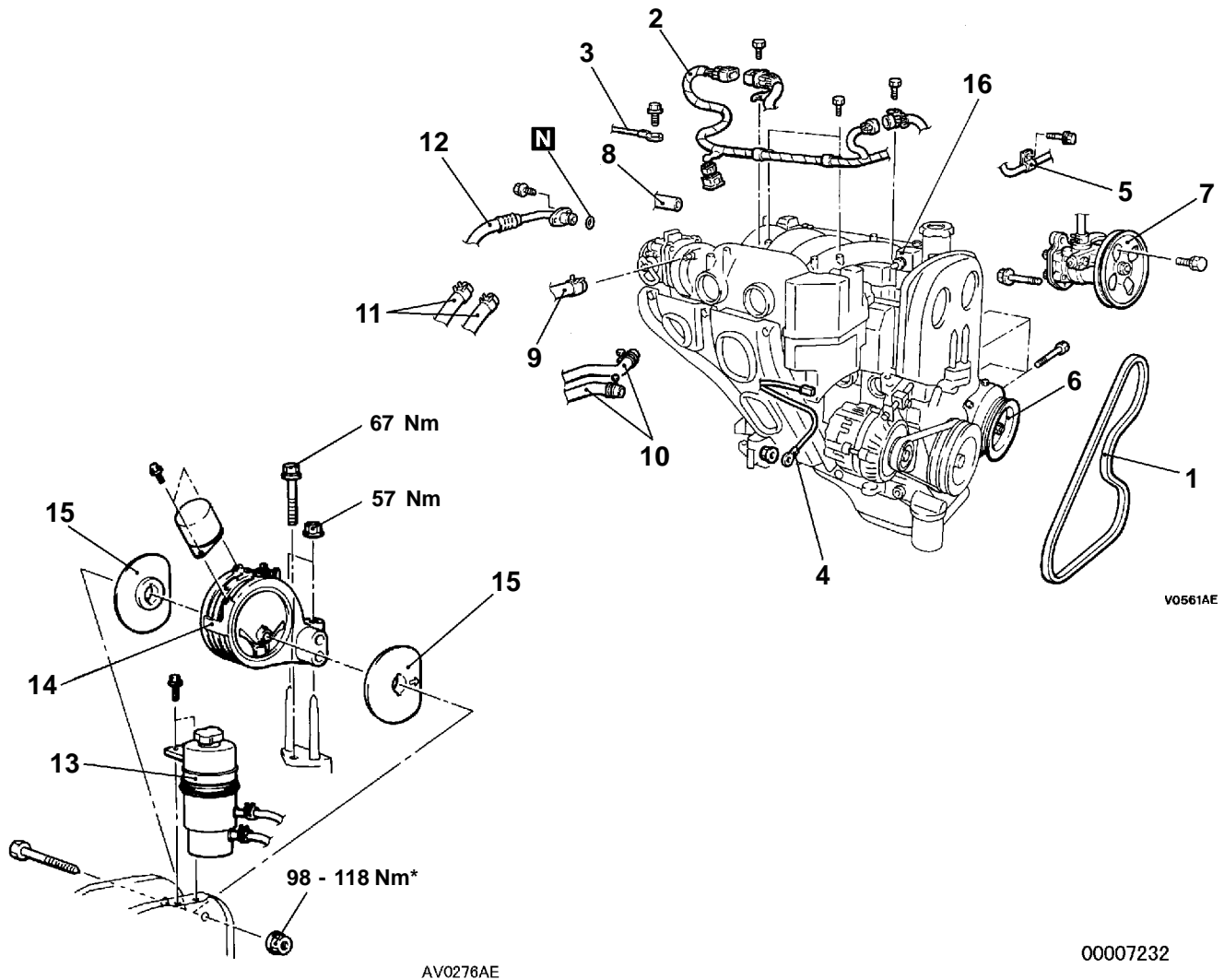
REMOVAL AND INSTALLATION

Caution

Mounting locations marked by * should be provisionally tightened, and then fully tightened after placing the vehicle horizontally and loading the full weight of the engine on the vehicle body.

Pre-removal and Post-installation Operation

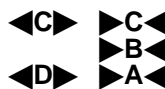
- Fuel Discharge Prevention (Refer to GROUP 13A - On-vehicle Service.) <Pre-removal only>
- Engine Cover Removal and Installation
- Under Cover Removal and Installation
- Engine Coolant Draining and Supplying (Refer to GROUP 14 - On-vehicle Service.)
- Hood Removal and Installation (Refer to GROUP 42.)
- Transmission Assembly Removal and Installation (Refer to GROUP 22 or 23.)
- Drive Belt Tension Adjustment (Refer to P.11A-6.) <Post-installation only>



00007232

Removal steps

1. Drive belt (Power steering and A/C)
2. Engine harness connector
3. Earth cable connection
4. Alternator connector
5. Power steering hose clamp
6. A/C compressor
7. Power steering oil pump
8. Vacuum hose connection
9. Brake booster vacuum hose connection
10. Heater hose connection
11. Fuel return hose connection
12. Fuel pressure hose connection
13. Power steering oil reservoir
14. Engine mount bracket
15. Engine mount stopper
16. Engine assembly



REMOVAL SERVICE POINTS**◀A▶ A/C COMPRESSOR REMOVAL**

Disconnect the A/C compressor connector and remove the compressor from the compressor bracket with the hose still attached.

NOTE

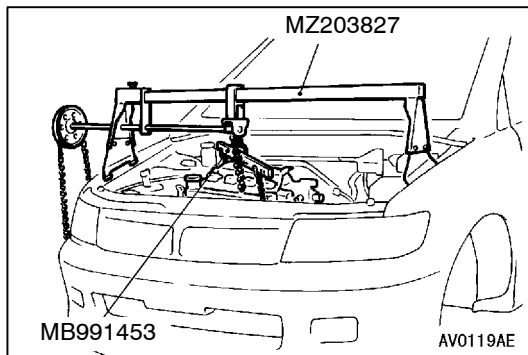
Place the removed A/C compressor where it will not be a hindrance when removing and installing the engine assembly, and tie it with a cord.

◀B▶ POWER STEERING OIL PUMP REMOVAL

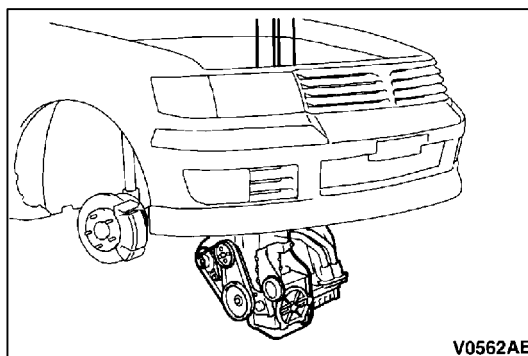
Remove the power steering oil pump and bracket assembly from the engine with the hose attached.

NOTE

Place the removed power steering oil pump in a place where it will not be a hindrance when removing and installing the engine assembly, and tie it with a cord.

**◀C▶ ENGINE MOUNT BRACKET REMOVAL**

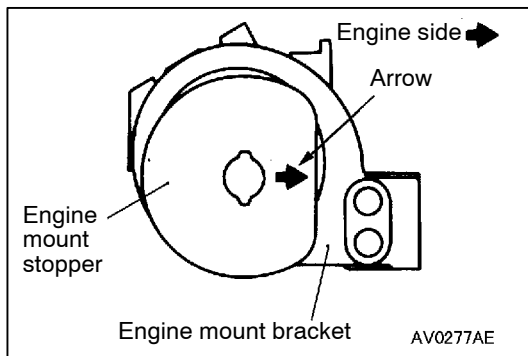
1. Support the engine with a garage jack.
2. Remove the special tool which was attached when the transmission assembly was removed.
3. Hold the engine assembly with a chain block or similar tool.
4. Place a garage jack against the engine oil pan with a piece of wood in between, jack up the engine so that the weight of the engine is no longer being applied to the engine mount bracket, and then remove the engine mount bracket.

**◀D▶ ENGINE ASSEMBLY REMOVAL**

After checking that all cables, hoses and harness connectors, etc., are disconnected from the engine, lower the chain block slowly to remove the engine assembly downward from the engine compartment.

INSTALLATION SERVICE POINTS**▶A◀ ENGINE ASSEMBLY INSTALLATION**

Install the engine assembly, checking that the cables, hoses, and harness connectors are not clamped.

**▶B◀ ENGINE MOUNT STOPPER INSTALLATION**

Clamp the engine mount stopper so that the arrow points in the direction as shown in the diagram.

▶C◀ ENGINE MOUNT BRACKET INSTALLATION

1. Place a garage jack against the engine oil pan with a piece of wood in between, and install the engine mount bracket while adjusting the position of the engine.
2. Support the engine with the garage jack.
3. Remove the chain block and support the engine assembly with the special tool.

NOTES

ENGINE

<4G9>

CONTENTS

GENERAL INFORMATION	2	Lash Adjuster Check	13
SERVICE SPECIFICATIONS	2	CRANKSHAFT PULLEY	16
SEALANTS	4	CAMSHAFT AND CAMSHAFT OIL SEAL ..	17
SPECIAL TOOLS	4	OIL PAN	21
ON-VEHICLE SERVICE	6	CRANKSHAFT OIL SEAL	23
Drive Belt Tension Check and Adjustment	6	CYLINDER HEAD GASKET	25
Ignition Timing Check	9	TIMING BELT	28
Idle Speed Check	10	ENGINE ASSEMBLY	33
Idle Mixture Check	11		
Compression Pressure Check	12		
Manifold Vacuum Check	13		

GENERAL INFORMATION

Items		4G93	
Total displacement mL		1,834	
Bore × Stroke mm		81.0 × 89.0	
Compression ratio		12.5	
Combustion chamber		Pentroof + ball-in-piston	
Camshaft arrangement		DOHC	
Number of valve	Intake	8	
	Exhaust	8	
Valve timing	Intake	Opening	BTDC 15°
		Closing	ABDC 56°
	Exhaust	Opening	BBDC 55°
		Closing	ATDC 15°
Fuel system		Electronically controlled multipoint fuel injection	
Rocker arm		Roller type	
Auto-lash adjuster		Equipped	

SERVICE SPECIFICATIONS

Items			Standard value	Limit
Alternator drive belt tension	Vibration frequency Hz	When checked	143 - 185	-
		When a used belt is installed	155 - 175	-
		When a new belt is installed	203 - 234	-
	Tension N	When checked	294 - 490	-
		When a used belt is installed	343 - 441	-
		When a new belt is installed	588 - 784	-
	Deflection (Reference value) mm	When checked	9.7 - 12.9	-
		When a used belt is installed	10.5 - 12.0	-
		When a new belt is installed	6.7 - 8.5	-

Items			Standard value	Limit
Power steering oil pump and A/C compressor drive belt tension	Vibration frequency Hz	When checked	114 - 139	-
		When a used belt is installed	121 - 133	-
		When a new belt is installed	145 - 166	-
	Tension N	When checked	392 - 588	-
		When a used belt is installed	441 - 539	-
		When a new belt is installed	637 - 833	-
	Deflection (Reference value) mm	When checked	10.0 - 12.0	-
		When a used belt is installed	10.0 - 11.0	-
		When a new belt is installed	7.0 - 9.0	-
Basic ignition timing			5° BTDC ± 3°	-
Ignition timing			Approx. 16° BTDC (Approx. 6° BTDC)*2	-
Idle speed r/min	M/T	600 ± 100*1 (750 ± 100)*2	-	
	A/T	650 ± 100 (750 ± 100)*2	-	
CO contents %			0.5 or less	-
HC contents ppm			100 or less	-
Compression pressure kPa - r/min			1,790 - 300	1,400 - 300
Compression pressure difference of all cylinder kPa			-	Max. 100
Intake manifold vacuum kPa			-	Min. 37
Cylinder head bolt shank length mm			-	99.4
Timing belt tension torque Nm (Reference value)			2.5 - 4.0	-
Auto-tensioner rod protrusion amount mm			3.8 - 4.5	-

NOTE

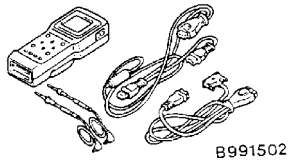
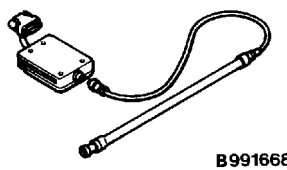
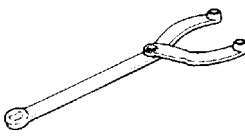
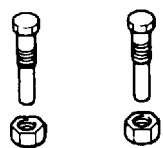
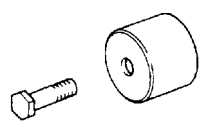
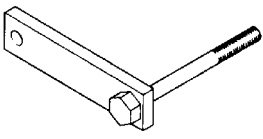
*1: Varies depending on the transmission oil temperature. For details, refer to P. 11B-10.

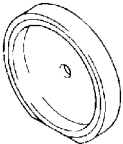
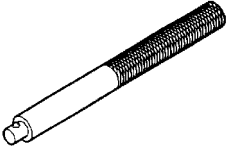
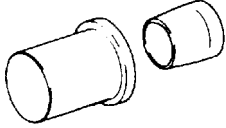
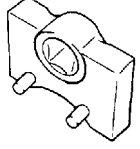
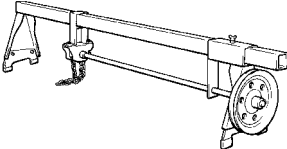
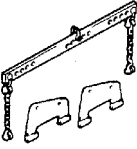
*2: Indicates the value when more than 4 minutes have passed since the engine was started.

SEALANTS

Items	Specified sealants	Remarks
Beam camshaft cap Cylinder head	3M ATD Part No.8660 or equivalent	-
Cam position sensor support Oil pan	MITSUBISHI GENUINE PART MD970389 or equivalent	Semi-drying sealant
Flywheel or drive plate bolt	3M Stud Locking 4170 or equivalent	-

SPECIAL TOOLS

Tool	Number	Name	Use
 B991502	MB991502	MUT-II sub assembly	<ul style="list-style-type: none"> ● Measuring the drive belt tension ● Checking the ignition timing ● Checking the idle speed ● Erasing diagnosis code
 B991668	MB991668	Belt tension meter set	Measuring the drive belt tension (used together with the MUT-II)
	MB990767	End yoke holder	<ul style="list-style-type: none"> ● Holding the camshaft sprocket ● Holding the crankshaft sprocket
	MD998719 or MD998754	Crankshaft pulley holder pin	
	MD998713	Camshaft oil seal installer	Press-in of the camshaft oil seal
	MD998781	Flywheel stopper	Securing the flywheel <M/T> or drive plate <A/T>

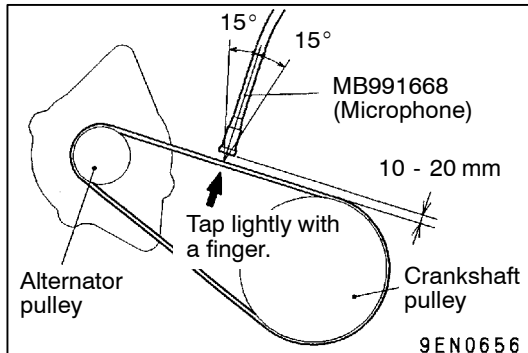
Tool	Number	Name	Use
	MD998776	Crankshaft rear oil seal installer	Press-in of the crankshaft rear oil seal
	MB990938	Handle	
	MD998717	Crankshaft front oil seal installer	Press-in of the crankshaft front oil seal
	MD998767	Tension pulley socket wrench	Timing belt tension adjustment
	GENERAL SERVICE TOOL MZ203827	Engine lifter	Supporting the engine assembly during removal and installation of the transmission
 <p data-bbox="313 1304 391 1325">B991453</p>	MB991453	Engine hanger assembly	

ON-VEHICLE SERVICE

DRIVE BELT TENSION CHECK AND ADJUSTMENT

ALTERNATOR DRIVE BELT TENSION CHECK

Check the drive belt tension by the following procedure.

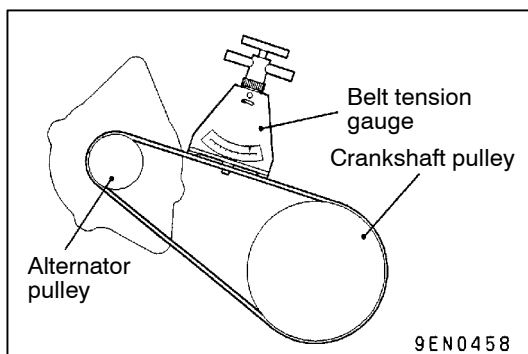


<When using the MUT-II>

1. Connect the special tool (belt tension meter kit) to the MUT-II.
2. Connect the MUT-II to the diagnosis connector.
3. Turn the ignition switch to ON and select "Belt Tension Measurement" from the menu screen.
4. Hold the microphone to the middle of the drive belt between the pulleys (at the place indicated by the arrow), about 10 - 20 mm away from the rear surface of the belt and so that it is perpendicular to the belt (within an angle of $\pm 15^\circ$).
5. Gently tap the middle of the belt between the pulleys (the place indicated by the arrow) with your finger as shown in the illustration, and check that the vibration frequency of the belt is within the standard value.

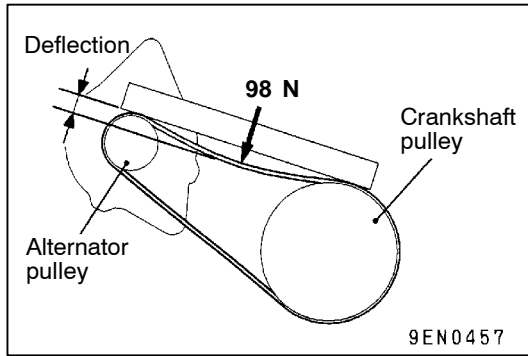
Caution

- (1) The temperature of the surface of the belt should be as close as possible to normal temperature.
- (2) Do not let any contaminants such as water or oil get onto the microphone.
- (3) If strong gusts of wind blow against the microphone or if there are any loud sources of noise nearby, the values measured by the microphone may not correspond to actual values.
- (4) If the microphone is touching the belt while the measurement is being made, the values measured by the microphone may not correspond to actual values.
- (5) Do not take the measurement while the vehicle's engine is running.



<When using a tension gauge>

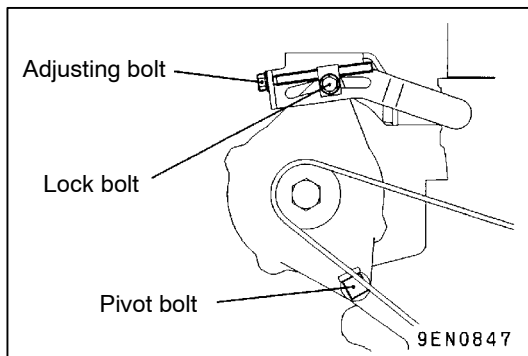
Use a belt tension gauge to check that the belt tension is within the standard value.

**<Belt deflection check>**

Apply 98 N of force to the middle of the drive belt between the pulleys (at the place indicated by the arrow) and check that the amount of deflection is within the standard value.

Standard value:

Vibration frequency Hz	143 - 185
Tension N	294 - 490
Deflection (Reference value) mm	9.7 - 12.9

**ALTERNATOR DRIVE BELT TENSION ADJUSTMENT**

1. Loosen the nut of the alternator pivot bolt.
2. Loosen the lock bolt.
3. Use the adjusting bolt to adjust the belt tension and belt deflection to the standard values.

Standard value:

Items	When a used belt is installed	When a new belt is installed
Vibration frequency Hz	155 - 175	203 - 234
Tension N	343 - 441	588 - 784
Deflection (Reference value) mm	10.5 - 12.0	6.7 - 8.5

NOTE

Refer to P.11B-6 concerning the measurement procedure of the alternator drive belt tension.

4. Tighten the nut of the alternator pivot bolt.

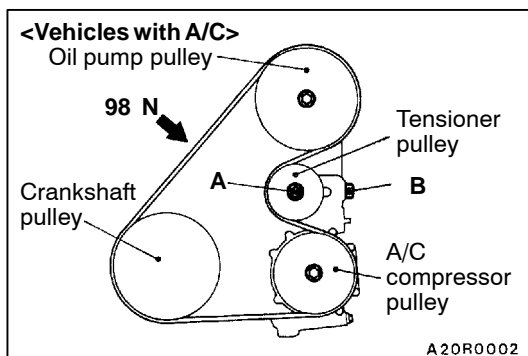
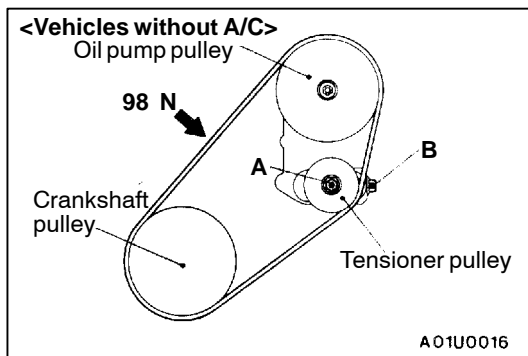
Tightening torque: 44 Nm

5. Tighten the lock bolt.

Tightening torque: 22 Nm

6. Tighten the adjusting bolt.

Tightening torque: 5.0 Nm



POWER STEERING OIL PUMP AND AIR CONDITIONER COMPRESSOR DRIVE BELT TENSION CHECK AND ADJUSTMENT

11100130127

1. Check if the belt tension is within the standard value using one of the methods below.

Standard value:

Items	When checked	When a used belt is installed	When a new belt is installed
Vibration frequency Hz	114 - 139	121 - 133	145 - 166
Tension N	392 - 588	441 - 539	637 - 833
Deflection (Reference value) mm	10.0 - 12.0	10.0 - 11.0	7.0 - 9.0

<When measuring the vibration frequency>

With your finger tip lightly tap the centre of the belt between the pulleys in the location shown by the arrow in the illustration and then measure the belt vibration frequency.

NOTE

Refer to P.11B-6 for information regarding the vibration frequency measurement method using MUT-II.

<When measuring the tension>

Use a belt tension gauge to measure the belt tension.

<When measuring the deflection>

Apply 98 N of pressure against the location between the pulleys shown by the arrow in the illustration and then measure the deflection.

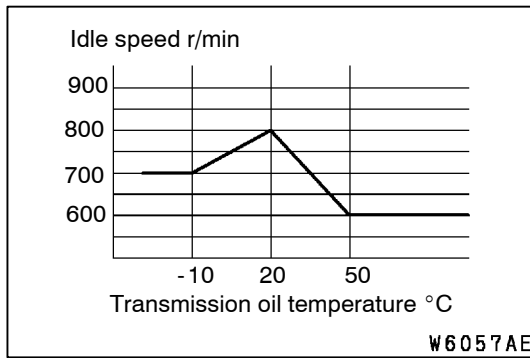
2. If the tension or deflection is outside the standard value, adjust by the following procedure.
 - (1) Loosen tensioner pulley fixing nut A.
 - (2) Adjust the amount of belt deflection using adjusting bolt B.
 - (3) Tighten fixing nut A.

Tightening torque: 25 Nm

- (4) Check the belt deflection amount and tension, and readjust if necessary.

Caution

Check after turning the crankshaft once or more clockwise (right turn).



IGNITION TIMING CHECK

- Before inspection, set the vehicle to the pre-inspection condition.
For vehicles with manual transmission, drive the vehicle for 15 minutes or more to warm the engine, and then carry out the checking while the transmission oil temperature is more than 50°C.

NOTE

The idle speed in vehicles with manual transmission varies as shown in the illustration in accordance with the transmission oil temperature.

- Turn off the ignition switch and then connect the MUT-II to the diagnosis connector.
- Set the timing light to the power supply line (terminal No.1) of the ignition coil No.1.

NOTE

The power supply line is looped and also longer than the other ones.

- Start the engine and let it run at idle.
- Use the MUT-II to measure engine idle speed and check that it is within the standard value.

Standard value:

Items	Idle speed r/min
M/T	600 ± 100 (750 ± 100)*
A/T	650 ± 100 (750 ± 100)*

NOTE

*: Indicates the values when more than 4 minutes have passed since the idling condition was started.

- Select No.17 of the MUT-II Actuator test.

NOTE

At this time, the engine speed will become approximately 750 r/min.

- Check that basic ignition timing is within the standard value.

Standard value: 5° BTDC ± 3°

- If the basic ignition timing is outside the standard value, inspect the GDI system while referring to GROUP 13B - Troubleshooting.
- Press the MUT-II clear key (Select a forced driving cancel mode) to release the Actuator test.

Caution

If the test is not cancelled, a forced driving will continue for 27 minutes. Driving under this condition may damage the engine.

- Check that ignition timing is at the standard value.

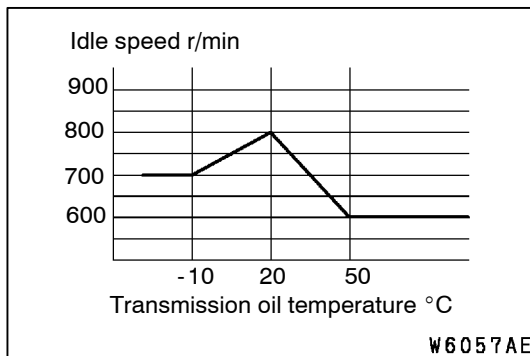
Standard value: approx. 16° BTDC

NOTE

- The ignition timing will become approximately 6° BTDC after more than 4 minutes have passed since the basic ignition timing set mode was released.
- The ignition timing may fluctuate within $\pm 7^\circ$ BTDC. This is normal.

- Remove the timing light.

- Turn off the ignition switch and then remove the MUT-II.



IDLE SPEED CHECK

- Before inspection, set the vehicle to the pre-inspection condition.

For vehicles with manual transmission, drive the vehicle for 15 minutes or more to warm the engine, and then carry out the checking while the transmission oil temperature is more than 50°C.

NOTE

The idle speed in vehicles with manual transmission varies as shown in the illustration in accordance with the transmission oil temperature.

- Turn off the ignition switch and then connect the MUT-II to the diagnosis connector.
- Check the basic ignition timing.

NOTE

Refer to P.11B-9 concerning the check procedure of the basic ignition timing.

Standard value: 5° BTDC \pm 3°

- Run the engine at idle for 2 minutes.
- Check the idle speed. Select item No. 22 and take a reading of the idle speed.

Standard value:

Items	Idle speed r/min
M/T	600 \pm 100 (750 \pm 100)*
A/T	650 \pm 100 (750 \pm 100)*

NOTE

- *: Indicates the values when more than 4 minutes have passed since the idling condition was started.
- The idle speed is automatically controlled by the idle speed control (ISC) system.

6. If the idle speed is outside the standard value, inspect the GDI components by referring to GROUP 13B - Troubleshooting.

IDLE MIXTURE CHECK

1. Before inspection, set the vehicle to the pre-inspection condition.
2. Connect the MUT-II to the diagnosis connector.
3. Check that the basic ignition timing is within the standard value.

NOTE

Refer to P.11B-9 concerning the check procedure of the basic ignition timing.

Standard value: 5° BTDC ± 3°

4. Run the engine at 2,500 r/min for 2 minutes.
5. Set the CO, HC tester.
6. Check the CO contents and the HC contents at idle.

NOTE

This measurement should be performed in less than approximately 4 minutes since the engine speed become the idle speed.

Standard value

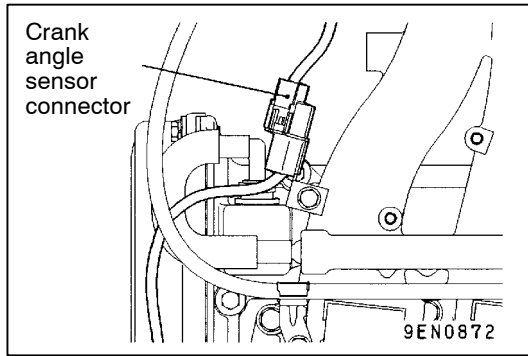
CO contents: 0.5% or less

HC contents: 100 ppm or less

7. If there is a deviation from the standard value, check the following items:
 - Diagnosis output
 - Fuel pressure
 - Injector
 - Ignition coil, spark plug
 - EGR control system
 - Evaporative emission control system
 - Compression pressure

NOTE

Replace the three way catalyst when the CO and HC contents are not within the standard value, even though the result of the inspection is normal on all items.



COMPRESSION PRESSURE CHECK

1. Before inspection, check that the engine oil, starter and battery are normal. In addition, set the vehicle to the pre-inspection condition.
2. Remove all of the ignition coils and spark plugs.
3. Disconnect the crank angle sensor connector.

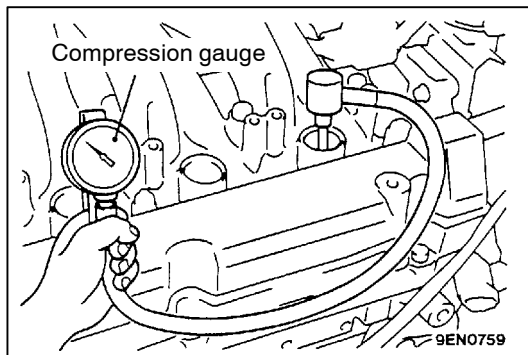
NOTE

Doing this will prevent the engine-ECU from carrying out ignition and fuel injection.

4. Cover the spark plug hole with a shop towel etc., and after the engine has been cranked, check that no foreign material is adhering to the shop towel.

Caution

- (1) **Keep away from the spark plug hole when cranking.**
- (2) **If compression is measured with water, oil, fuel, etc., that has come from cracks inside the cylinder, these materials will become heated and will gush out from the spark plug hole, which is dangerous.**



5. Set compression gauge to one of the spark plug holes.
6. Crank the engine with the throttle valve fully open and measure the compression pressure.

Standard value (at engine speed of 300 r/min):
1,790 kPa

Limit (at engine speed of 300 r/min):
Min. 1,400 kPa

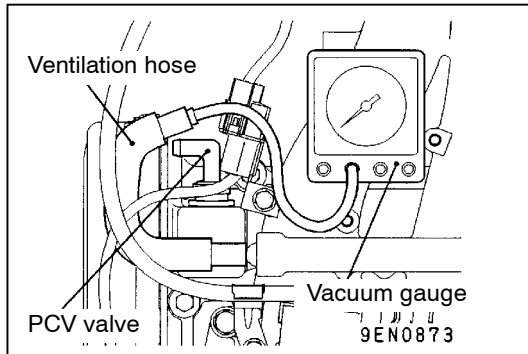
7. Measure the compression pressure for all the cylinders, and check that the pressure differences of the cylinders are below the limit.

Limit: Max. 100 kPa

8. If there is a cylinder with compression or a compression difference that is outside the limit, pour a small amount of engine oil through the spark plug hole, and repeat the operations in steps 6 and 7.
 - (1) If the compression increases after oil is added, the cause of the malfunction is a worn or damaged piston ring and/or cylinder inner surface.
 - (2) If the compression does not rise after oil is added, the cause is a burnt or defective valve seat, or pressure is leaking from the gasket.
9. Connect the crank angle sensor connector.
10. Install the spark plugs and ignition coils.
11. Use the MUT-II to erase the diagnosis codes.

NOTE

This will erase the diagnosis code resulting from the crank angle sensor connector being disconnected.



MANIFOLD VACUUM CHECK

1. Before inspection, set the vehicle to the pre-inspection condition.
2. Disconnect the ventilation hose from the positive crankcase ventilation (PCV) valve, and then connect a vacuum gauge to the ventilation hose.
3. Check the intake manifold negative pressure while the engine is idling.

Limit: Min. 37 kPa

LASH ADJUSTER CHECK

If an abnormal noise (knocking) that seems to be coming from the lash adjuster is heard after starting the engine and does not stop, carry out the following check.

NOTE

- (1) The abnormal noise which is caused by a problem with the lash adjusters is generated after the engine is started, and will vary according to the engine speed. However, this noise is not related to the actual engine load.

Because of this, if the noise does not occur immediately after the engine is started, if it does not change in accordance with the engine speed, or if it changes in accordance with the engine load, the source of the noise is not the lash adjusters.

- (2) If there is a problem with the lash adjusters, the noise will almost never disappear, even if the engine has been run at idle to let it warm up.

The only case where the noise might disappear is if the oil in the engine has not been looked after properly and oil sludge has caused the lash adjusters to stick.

1. Start the engine.
2. Check that the noise occurs immediately after the engine is started, and that the noise changes in accordance with changes in the engine speed.

If the noise does not occur immediately after the engine is started, or if it does not change in accordance with the engine speed, the problem is not being caused by the lash adjusters, so check for some other cause of the problem. Moreover, if the noise does not change in accordance with the engine speed, the cause of the problem is probably not with the engine. (In these cases, the lash adjusters are normal.)

3. While the engine is idling, check that the noise level does not change when the engine load is varied (for example, by shifting from N → D).

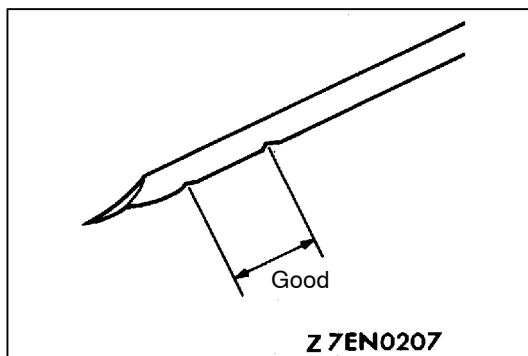
If the noise level changes, the cause of the noise is probably parts striking because of worn crankshaft bearings or connecting rod bearings. (In such cases, the lash adjusters are normal.)

4. After the engine has warmed up, run it at idle and check if any noise can be heard.
If the noise has become smaller or disappeared, oil sludge could make the lash adjusters stick. Clean the lash adjusters. (Refer to the Engine Workshop Manual.) If not improved, go to step 5.
5. Bleed air from the lash adjusters.
6. If the noise has not disappeared even after the air bleeding, clean the lash adjusters. (Refer to the Engine Workshop Manual.)

<LASH ADJUSTER AIR BLEEDING>

NOTE

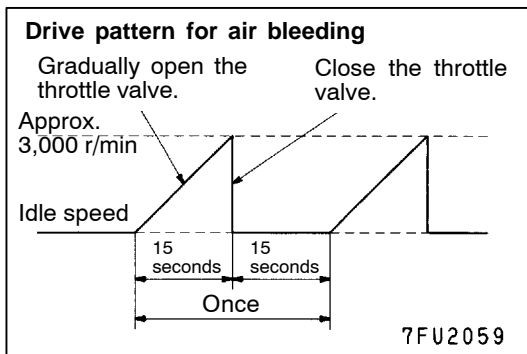
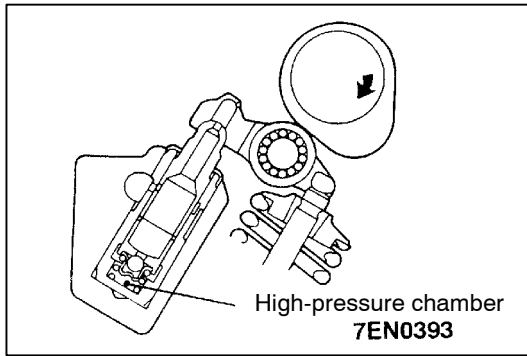
- (1) If the vehicle is parked on a slope for a long period of time, the amount of oil inside the lash adjuster will decrease, and air may get into the high pressure chamber when starting the engine.
- (2) After parking the vehicle for long periods, the oil drains out of the oil passage, and it takes time for the oil to be supplied to the lash adjuster, so air can get into the high pressure chamber.
- (3) If either of the above situations occur, the abnormal noise can be eliminated by bleeding the air from inside the lash adjusters.



1. Check the engine oil and replenish or replace the oil if necessary.

NOTE

- (1) If there is a only small amount of oil, air will be drawn in through the oil screen and will get into the oil passage.
- (2) If the amount of oil is greater than normal, then the oil will being mixed by the crankshaft and a large amount of air may get mixed into the oil.
- (3) If the oil is degenerated, air and oil will not separate easily in oil, and the amount of air mixed into the oil will increase.

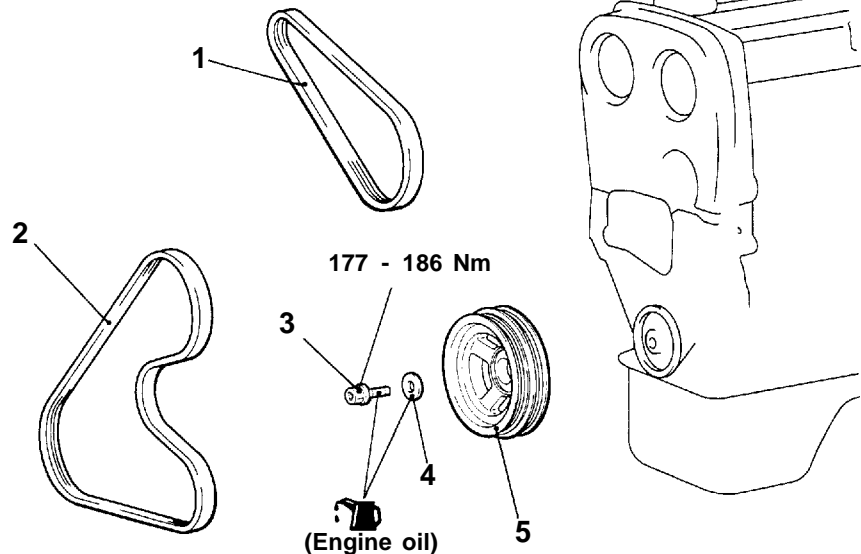


(4) If the air which has been mixed in with the oil due to any of the above reasons gets into the high pressure chamber of the lash adjuster, the air inside the high pressure chamber will be compressed when the valve is open and the lash adjuster will over-compress, resulting in abnormal noise when the valve closes. This is the same effect as if the valve clearance is adjusted to be too large by mistake. If the air inside the lash adjusters is then released, the operation of the lash adjusters will return to normal.

2. Run the engine at idle for 1 - 3 minutes to let it warm up.
3. With no load on the engine, repeat the drive pattern shown in the illustration at left and check if the abnormal noise disappears. (The noise should normally disappear after 10 - 30 repetitions, but if there is no change in the noise level after 30 repetitions or more, the problem is probably not due to air inside the lash adjusters.)
4. After the noise has disappeared, repeat the drive pattern shown in the illustration at left a further 5 times.
5. Run the engine at idle for 1 - 3 minutes and check that the noise has disappeared.

CRANKSHAFT PULLEY**REMOVAL AND INSTALLATION****Pre-removal Operation**
Under Cover Removal**Post-installation Operation**

- Drive Belt Tension Adjustment (Refer to P.11B-6.)
- Under Cover Installation

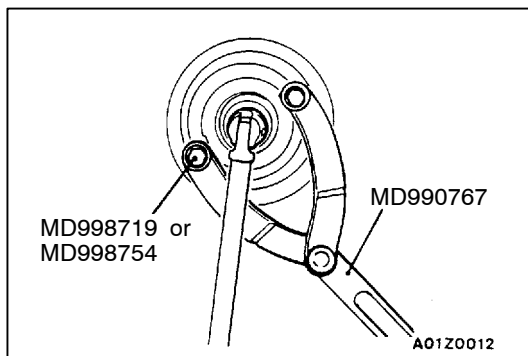


A01M0086

Removal steps

1. Drive belt (Power steering and A/C)
2. Drive belt (Alternator)

- ◀A▶ ▶A◀
3. Crankshaft pulley bolt
 4. Crankshaft pulley washer
 5. Crankshaft pulley

**REMOVAL SERVICE POINT**◀A▶ **CRANKSHAFT PULLEY BOLT REMOVAL****INSTALLATION SERVICE POINT**▶A◀ **CRANKSHAFT PULLEY BOLT INSTALLATION**

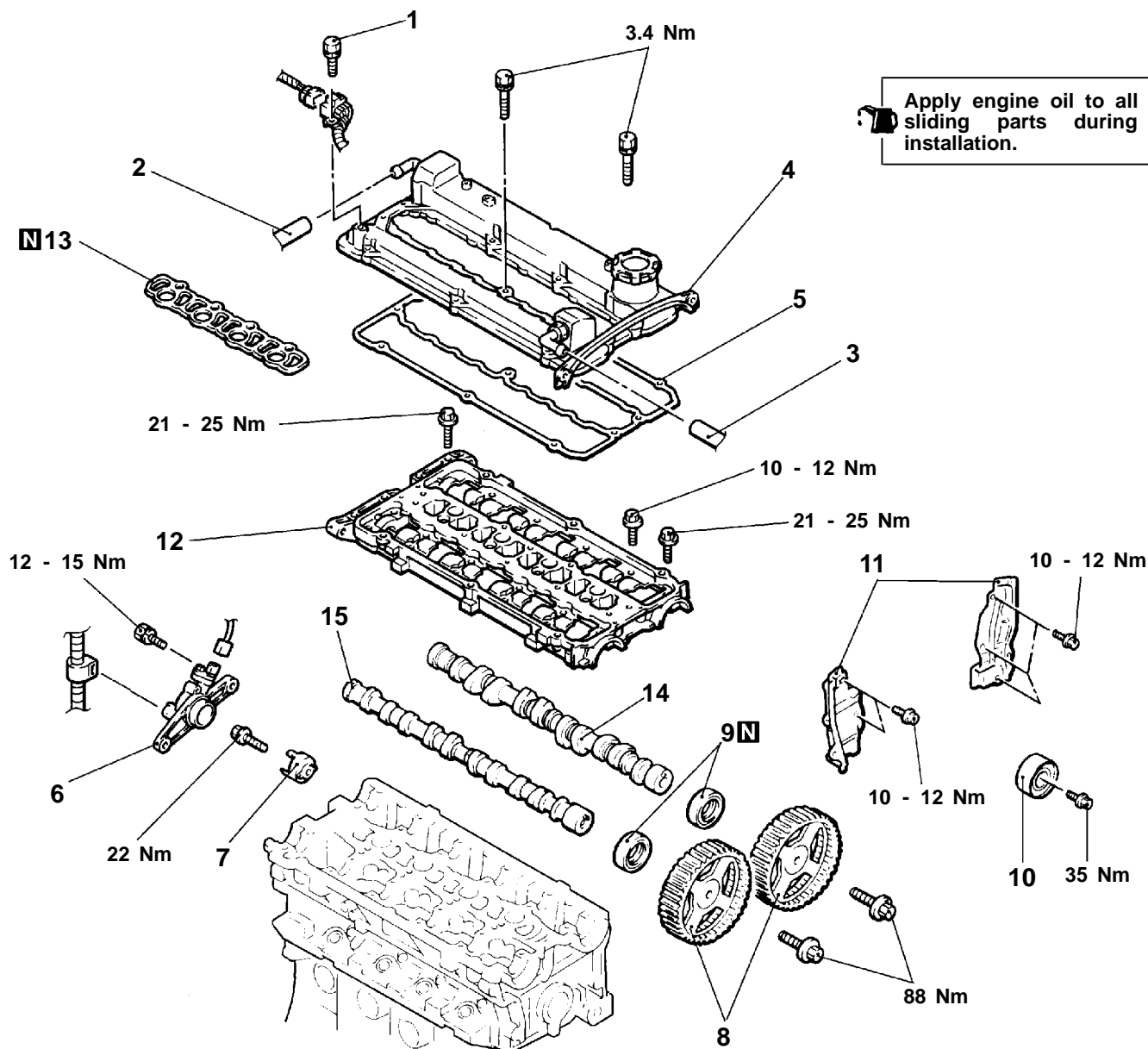
When installing the crankshaft bolt, apply the minimum amount of engine oil to the bearing surface and thread of the bolt.

CAMSHAFT AND CAMSHAFT OIL SEAL

REMOVAL AND INSTALLATION

Pre-removal and Post-installation Operation

- Air Intake Hose Removal and Installation
- Timing Belt Removal and Installation (Refer to P.11B-28.)
- Intake Manifold Removal and Installation (Refer to GROUP 15.)
- Pump Camshaft Case Removal and Installation (Refer to GROUP 13B - Fuel Pump (High Pressure).)



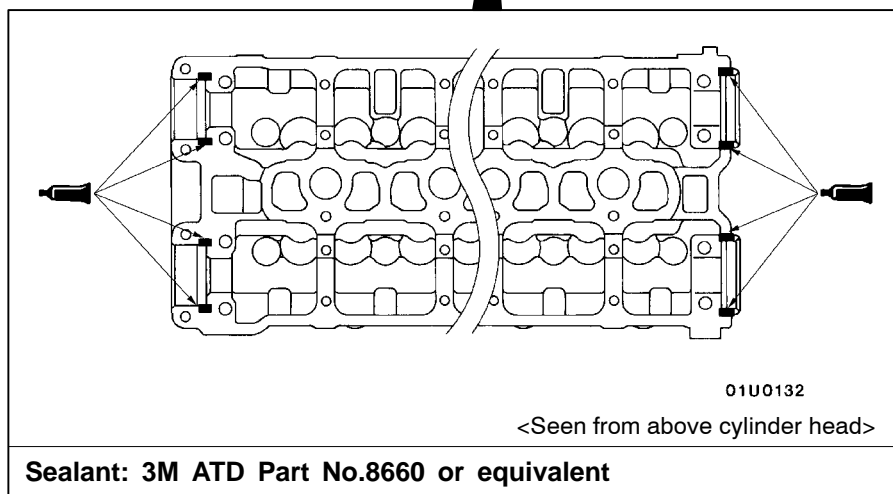
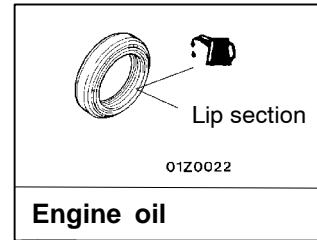
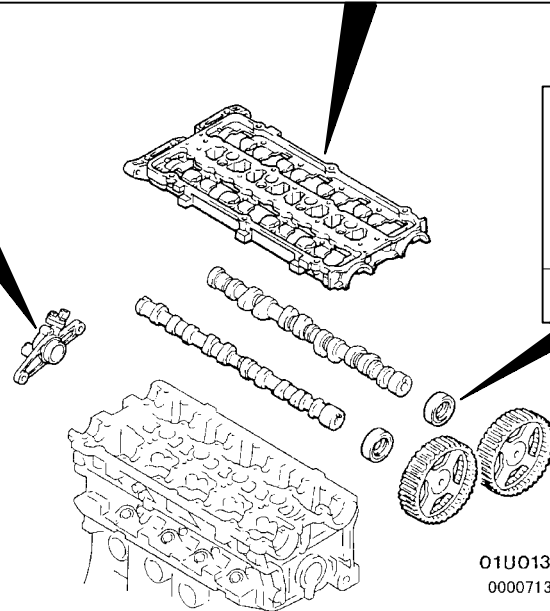
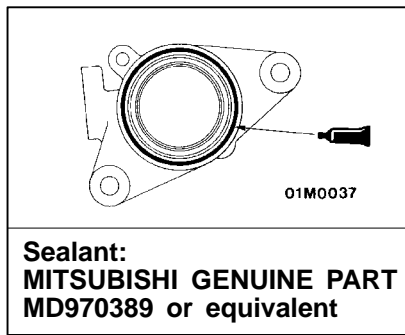
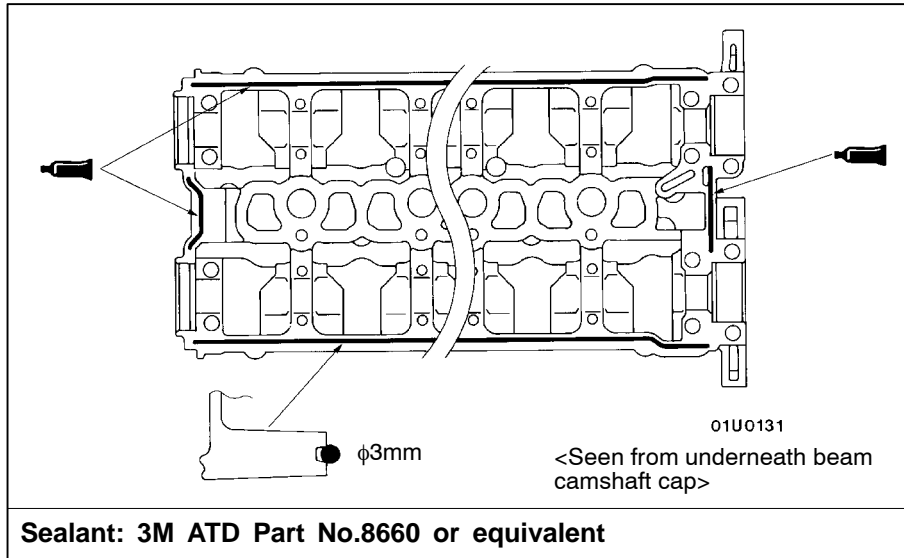
AW0233AJ

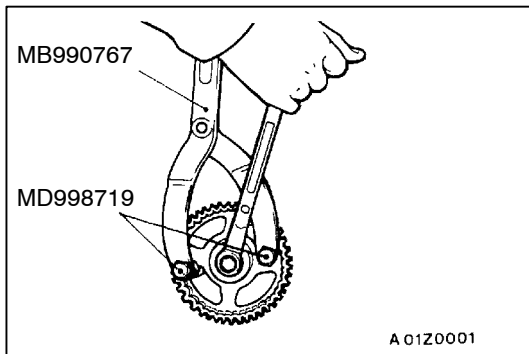
Removal steps

1. Connector bracket mounting bolt (Injector Harness)
2. Breather hose connection
3. PCV hose connection
4. Rocker cover
5. Rocker cover gasket
6. Cam position sensor support
7. Cam position sensing cylinder

- | | | |
|-----|-----|------------------------------|
| ◀A▶ | ▶D▶ | 8. Camshaft sprocket |
| ▶C▶ | | 9. Camshaft oil seal |
| | | 10. Idler pulley |
| | | 11. Timing belt rear cover |
| ▶B▶ | | 12. Beam camshaft cap |
| | | 13. Beam camshaft cap gasket |
| ▶A▶ | | 14. Camshaft (exhaust side) |
| ▶A▶ | | 15. Camshaft (intake side) |

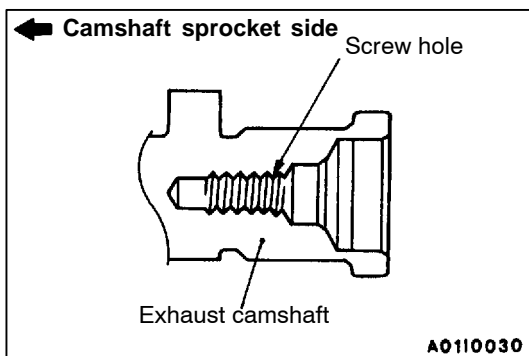
Lubrication points





REMOVAL SERVICE POINT

◀A▶ CAMSHAFT SPROCKET REMOVAL



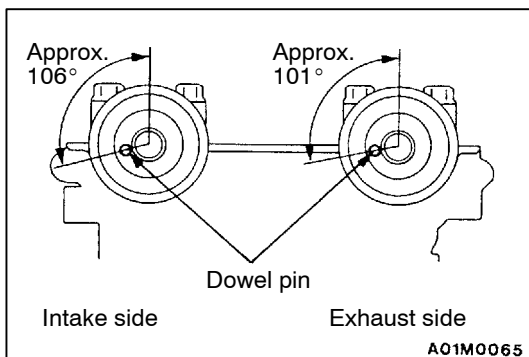
INSTALLATION SERVICE POINTS

▶A◀ CAMSHAFT INSTALLATION

1. Apply engine oil to journals and cams of the camshafts.
2. Install the camshafts on the cylinder head.

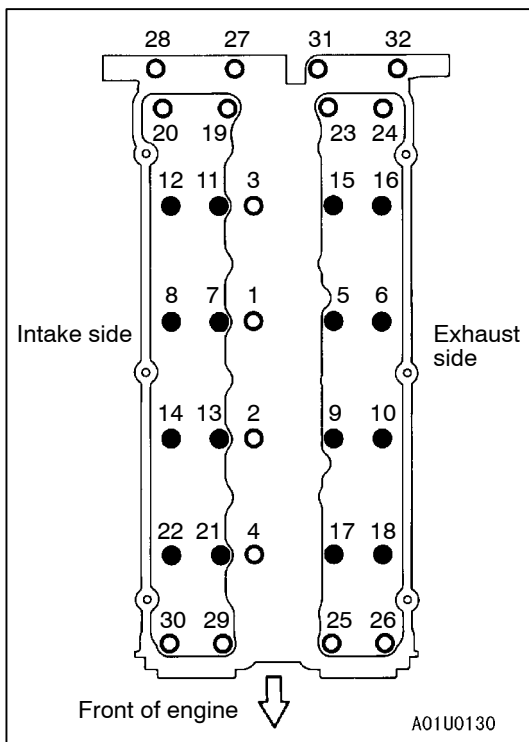
Caution

Be careful not to confuse the intake camshaft with the exhaust one. There is a screw hole for the cam position sensing cylinder mounting bolt on the exhaust-side camshaft.



▶B◀ BEAM CAMSHAFT CAP INSTALLATION

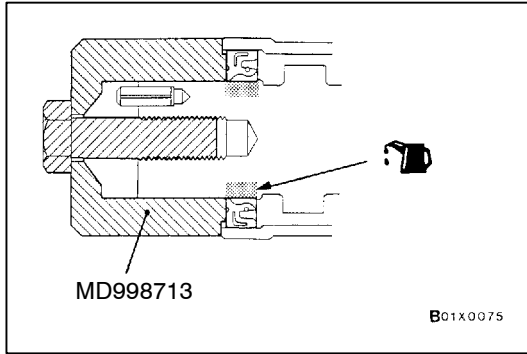
1. Place the camshaft dowel pin as shown in the illustration.



2. Tighten the beam camshaft cap mounting bolts to the specified torque in the order shown in the illustration.

Tightening torque:

- : 10 - 12 Nm
- : 21 - 25 Nm

**▶◀ CAMSHAFT OIL SEAL INSTALLATION**

1. Apply engine oil to the entire circumference of the oil seal lip.
2. Press-fit the oil seal as shown in the illustration.

▶◀ CAMSHAFT SPROCKET INSTALLATION

Use the special tool to secure the camshaft sprocket in the same way as during removal, and then tighten the bolt to the specified torque.

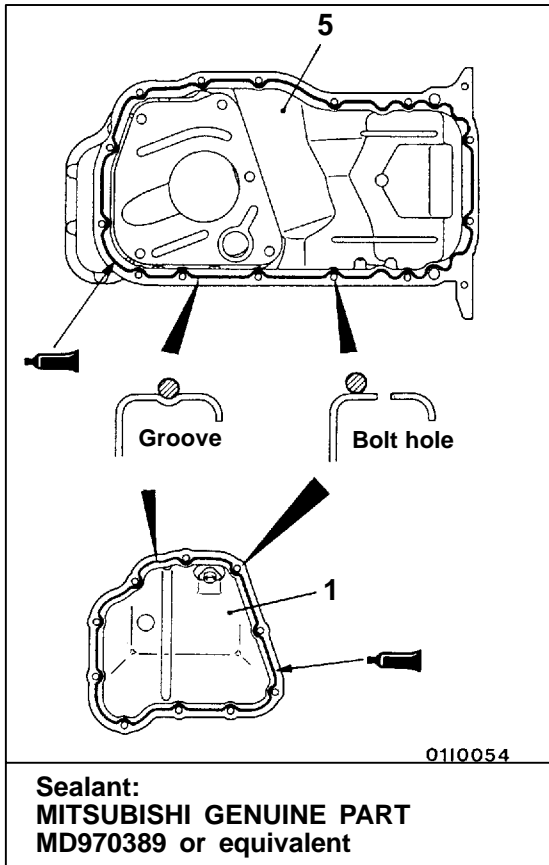
Tightening torque: 88 Nm

OIL PAN

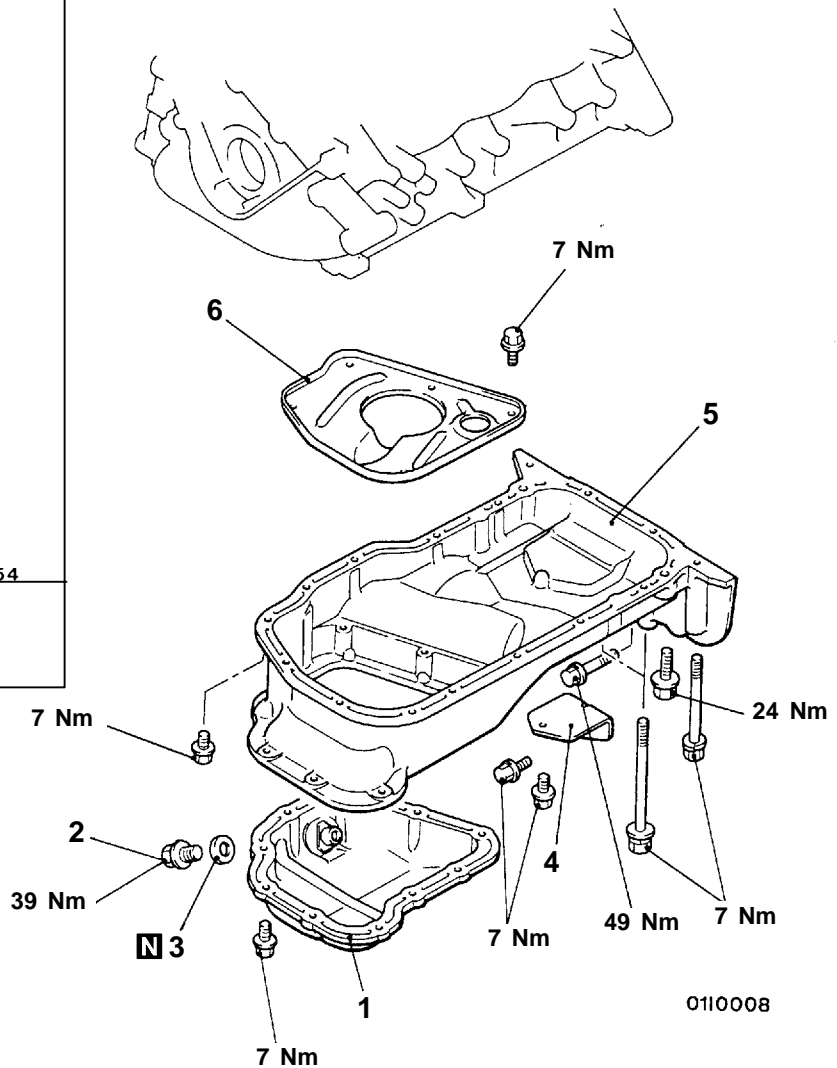
REMOVAL AND INSTALLATION

Pre-removal and Post-installation Operation

- Under Cover Removal and Installation
- Front Exhaust Pipe Removal and Installation (Refer to GROUP 15.)
- Engine Oil Draining and Supplying (Refer to GROUP 12 - On-vehicle Service.)



Sealant:
MITSUBISHI GENUINE PART
MD970389 or equivalent

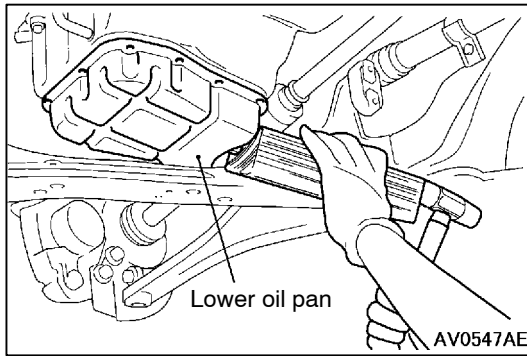


00005844

Removal steps

- ◀A▶
1. Lower oil pan
 2. Drain plug
 - ▶A▶ 3. Drain plug gasket

- ◀B▶
4. Cover
 5. Upper oil pan
 6. Baffle plate



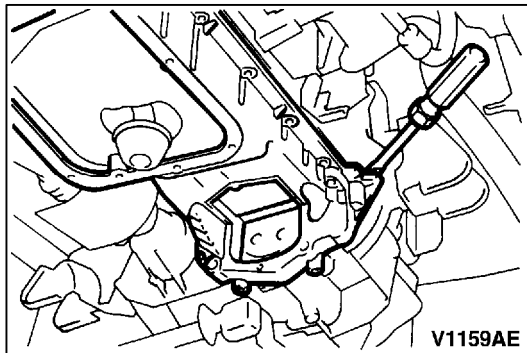
REMOVAL SERVICE POINTS

◀A▶ LOWER OIL PAN REMOVAL

Place a piece of wood against the lower oil pan, and tap the piece of wood with a hammer to remove the lower oil pan.

Caution

Because the upper oil pan used is made from aluminium, the oil pan remover (MB998727) should not be used.

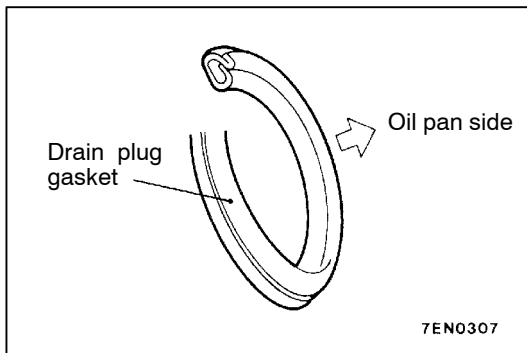


◀B▶ UPPER OIL PAN REMOVAL

Insert a flat-tipped screwdriver into the notch of the upper oil pan as shown in the illustration, and turn it to remove the oil pan.

Caution

Because the upper oil pan used is made from aluminium, the oil pan remover (MB998727) should not be used.



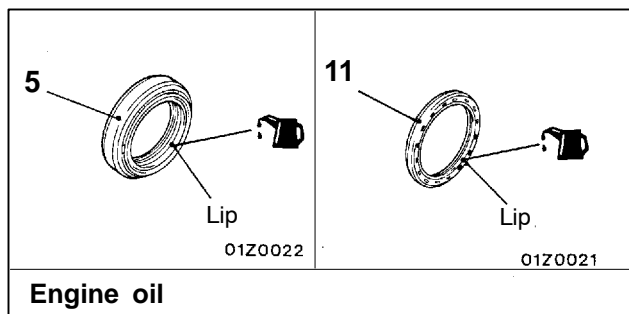
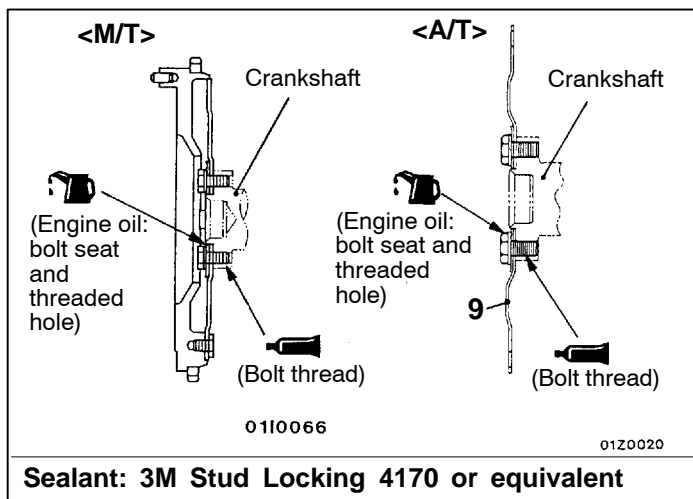
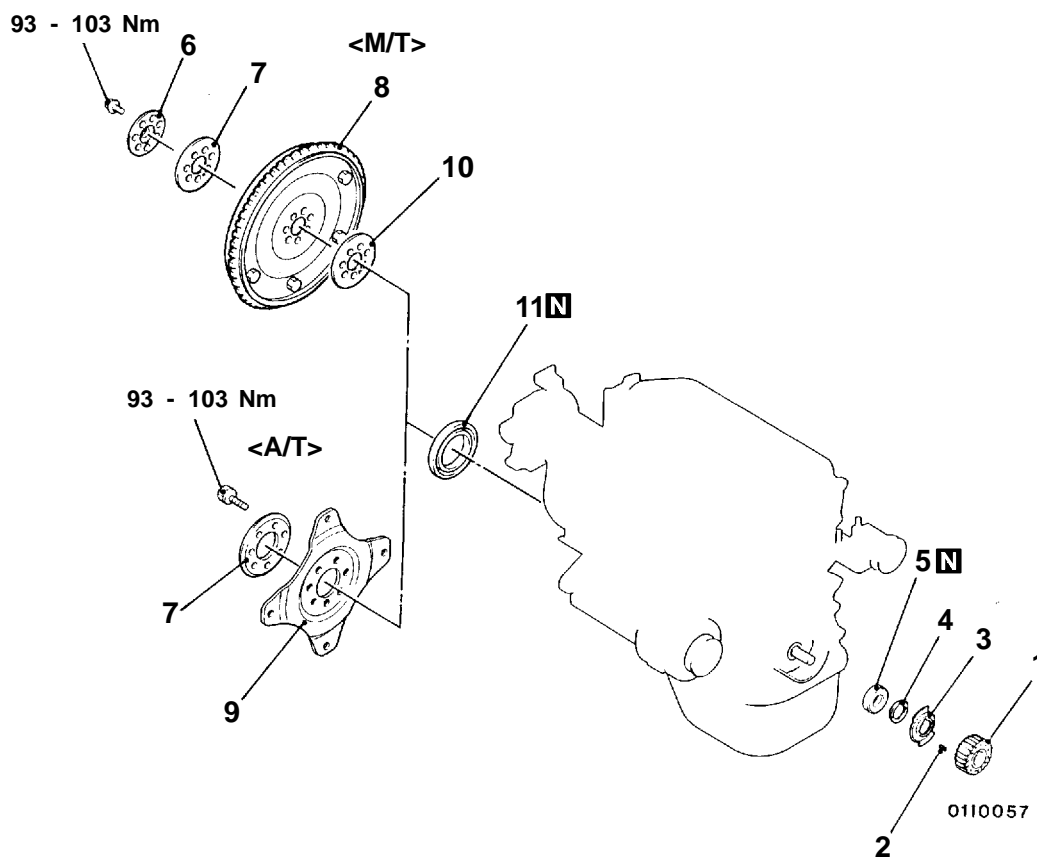
INSTALLATION SERVICE POINT

▶A◀ DRAIN PLUG GASKET INSTALLATION

Install the drain plug gasket in the direction so that it faces as shown in the illustration.

CRANKSHAFT OIL SEAL

REMOVAL AND INSTALLATION



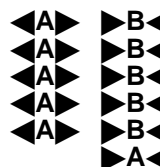
Crankshaft front oil seal removal steps

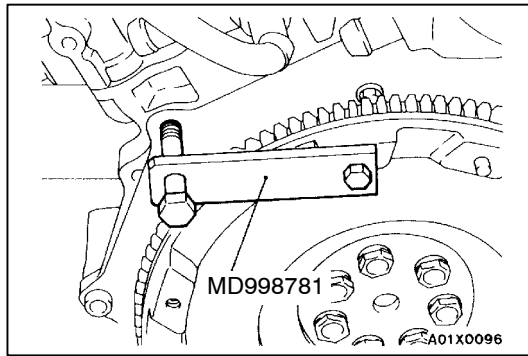
- Timing belt (Refer to P.11B-28.)
- Crank angle sensor (Refer to GROUP 16.)
- 1. Crankshaft sprocket
- 2. Key
- 3. Crankshaft sensing blade
- 4. Crankshaft spacer
- 5. Crankshaft front oil seal



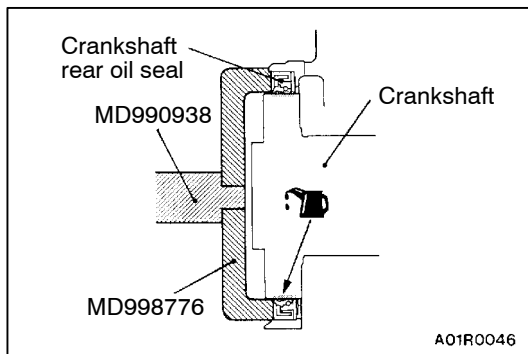
Crankshaft rear oil seal removal steps

- Transmission assembly (M/T: Refer to GROUP 22.) (A/T: Refer to GROUP 23.)
- Clutch cover and disc <M/T>
- 6. Plate <M/T>
- 7. Adapter plate
- 8. Flywheel <M/T>
- 9. Drive plate <A/T>
- 10. Adapter plate <M/T>
- 11. Crankshaft rear oil seal



**REMOVAL SERVICE POINT****◀A▶ PLATE <M/T>/ADAPTOR PLATE/FLYWHEEL <M/T>/DRIVE PLATE <A/T> REMOVAL**

Use the special tool to secure the flywheel or drive plate, and remove the bolts.

**INSTALLATION SERVICE POINTS****▶A◀ CRANKSHAFT REAR OIL SEAL INSTALLATION**

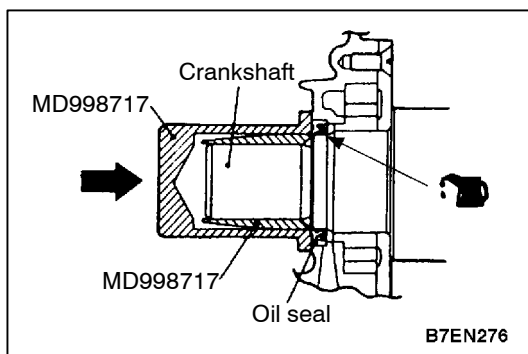
1. Apply a small amount of engine oil to the entire circumference of the oil seal lip.
2. Install the oil seal by tapping it as far as the chamfered position of the oil seal case as shown in the illustration.

▶B◀ DRIVE PLATE <A/T>/FLYWHEEL <M/T>/ADAPTOR PLATE/PLATE <M/T> INSTALLATION

1. Clean off all sealant, oil and other substances which are adhering to the threaded bolts, crankshaft thread holes and the flywheel or drive plate.
2. Apply oil to the bearing surface of the flywheel or drive plate bolts.
3. Apply oil to the crankshaft thread holes.
4. Apply sealant to the threaded mounting holes.

Specified sealant: 3M Stud locking 4170 or equivalent

5. Use the special tool to hold the flywheel or drive plate in the same manner as removal, and install the bolt.

**▶C◀ CRANKSHAFT FRONT OIL SEAL INSTALLATION**

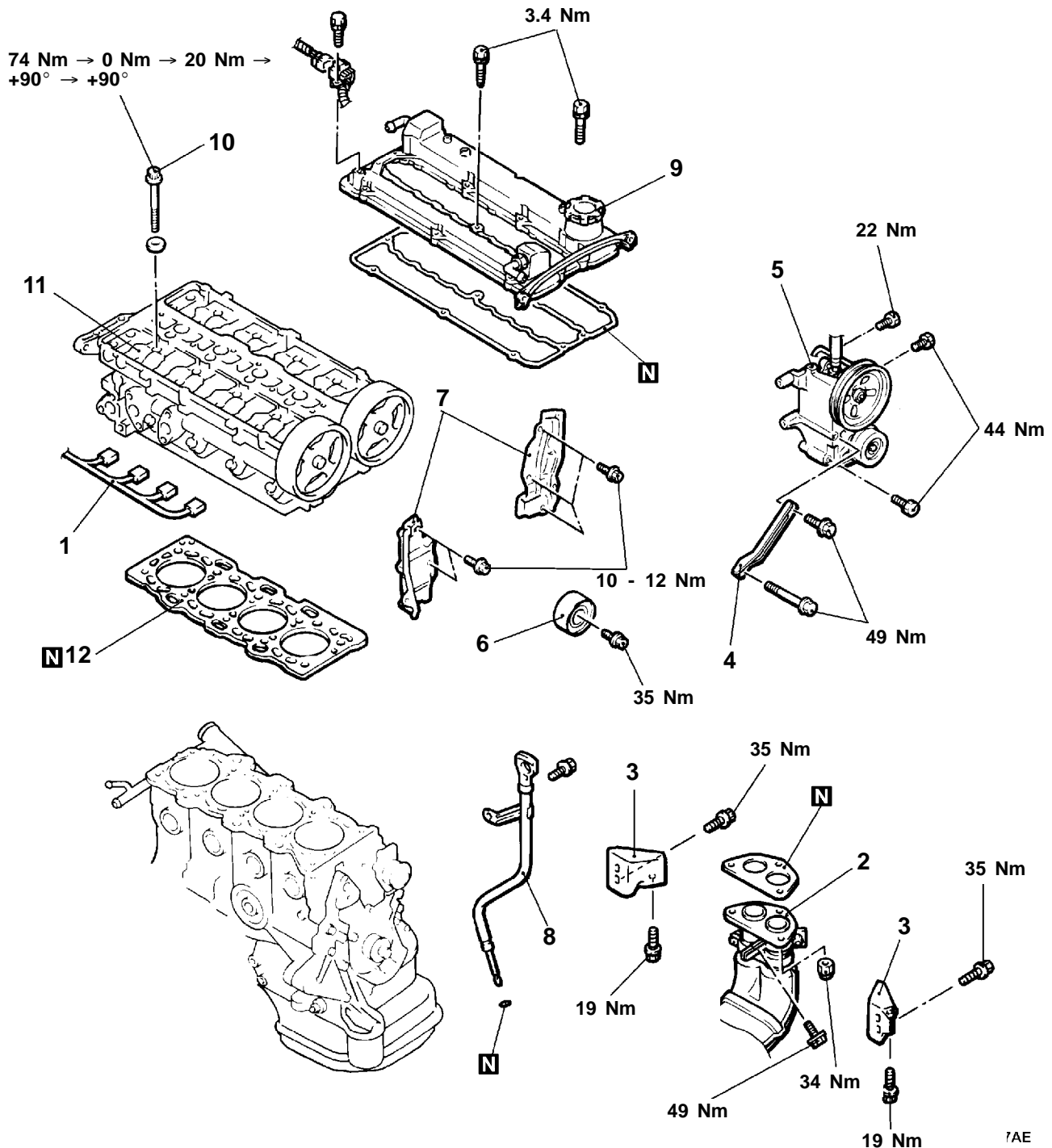
1. Apply a small amount of engine oil to the entire circumference of the oil seal lip.
2. Tap the oil seal unit it is flush with the oil seal case.

CYLINDER HEAD GASKET

REMOVAL AND INSTALLATION

Pre-removal and Post-installation Operation

- Prevention of Fuel Discharge <before removal only> (Refer to GROUP 13B - On-vehicle Service.)
- Engine Coolant Draining and Supplying (Refer to GROUP 14 - On-vehicle Service.)
- Engine Oil Draining and Supplying (Refer to GROUP 12 - On-vehicle Service.)
- Timing Belt Removal and Installation (Refer to P.11B-28.)
- Intake Manifold Removal and Installation (Refer to GROUP 15.)
- Fuel Pump (High pressure) and Fuel Pressure Regulator (High pressure) Removal and Installation (Refer to GROUP 13B.)
- EGR Valve Assembly Removal and Installation (Refer to GROUP 17.)
- Thermostat Case Assembly and Radiator upper hose Removal and Installation (Refer to GROUP 14 - Water Hose and Water Pipe.)



Removal steps

- | | |
|-----------------------------------------------------------------------------------------------------------------------------------------------------------------------------------------------------------------------|--------------------------------------------------------------------------------------------------------------------------------------------------------------------------------------------------------------------------|
| <p>1. Injector harness connector</p> <p>2. Front exhaust pipe connection</p> <p>3. Exhaust manifold bracket</p> <p>4. Power steering oil pump bracket stay</p> <p>5. Power steering oil pump and bracket assembly</p> | <p>6. Idler pulley</p> <p>7. Timing belt rear cover</p> <p>8. Engine oil level gauge assembly</p> <p>9. Rocker cover</p> <p>10. Cylinder head bolt</p> <p>11. Cylinder head assembly</p> <p>12. Cylinder head gasket</p> |
|-----------------------------------------------------------------------------------------------------------------------------------------------------------------------------------------------------------------------|--------------------------------------------------------------------------------------------------------------------------------------------------------------------------------------------------------------------------|

◀A▶

◀B▶

▶B◀

▶A◀

REMOVAL SERVICE POINTS**◀A▶ POWER STEERING OIL PUMP AND BRACKET ASSEMBLY REMOVAL**

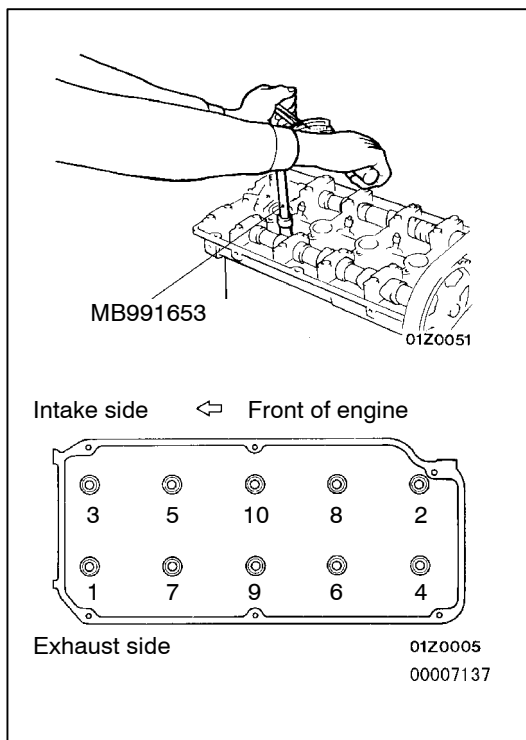
Remove the power steering oil pump and bracket assembly from the engine with the hose attached.

NOTE

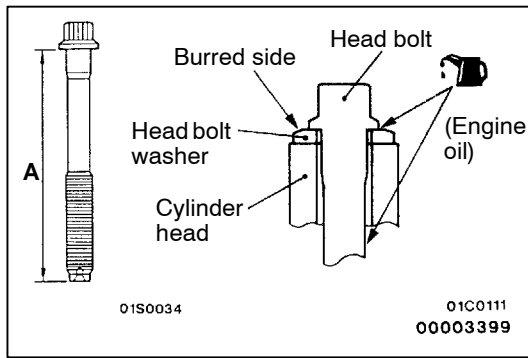
Place the removed power steering oil pump and bracket assembly in a place where it will not be a hindrance when removing and installing the cylinder head assembly, and tie it with a cord.

◀B▶ CYLINDER HEAD BOLT REMOVAL

Use the special tool to loosen the bolts in two or three steps in the order of the numbers shown in the illustration, and then remove the bolts.

**INSTALLATION SERVICE POINTS****▶A◀ CYLINDER HEAD GASKET INSTALLATION**

1. Wipe off all oil and grease from the gasket mounting surface.
2. Install so that the shapes of the cylinder head holes match the shapes of the respective cylinder head gasket holes.



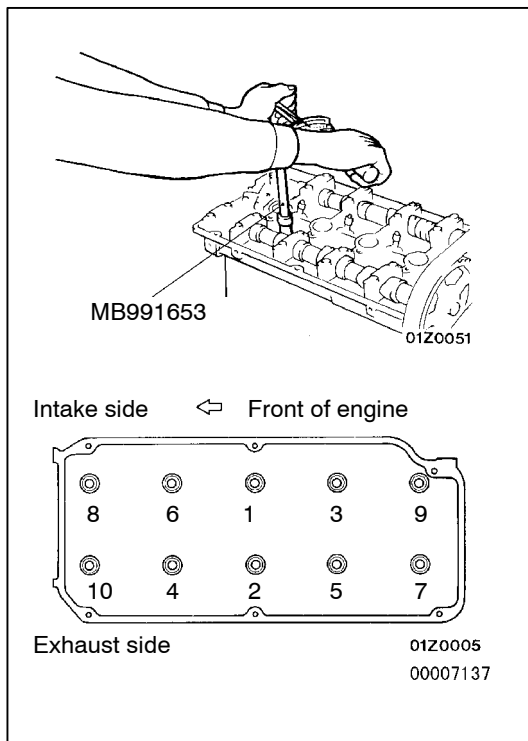
►B◄ CYLINDER HEAD BOLT INSTALLATION

1. When installing the cylinder head bolts, the length below the head of the bolts should be within the limit. If it is outside the limit, replace the bolts.

Limit (A): 96.4 mm

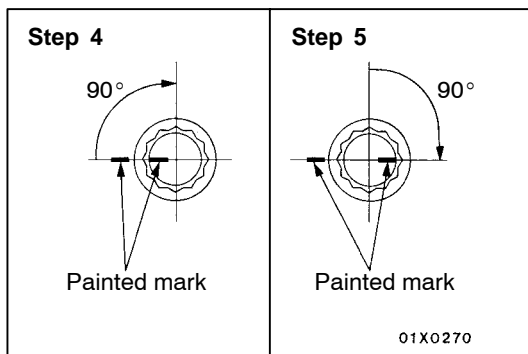
2. The head bolt washer should be installed with the burred side caused by tapping out facing upwards.
3. Apply a small amount of engine oil to the thread section and the washer of the cylinder head bolt.
4. Tighten the bolts by the following procedure.

Step	Operation	Remarks
1	Tighten to 74 Nm.	Carry out in the order shown in the illustration.
2	Fully loosen.	Carry out in the reverse order of that shown in the illustration.
3	Tighten to 20 Nm.	Carry out in the order shown in the illustration.
4	Tighten 90° of a turn.	In the order shown in the illustration. Mark the head of the cylinder head bolt and cylinder head by paint.
5	Tighten 90° of a turn.	In the order shown in the illustration. Check that the painted mark of the head bolt is lined up with that of the cylinder head.



Caution

- (1) Always make a tightening angle just 90°. If it is less than 90°, the head bolt will be loosened.
- (2) If it is more than 90°, remove the head bolt and repeat the procedure from step 1.

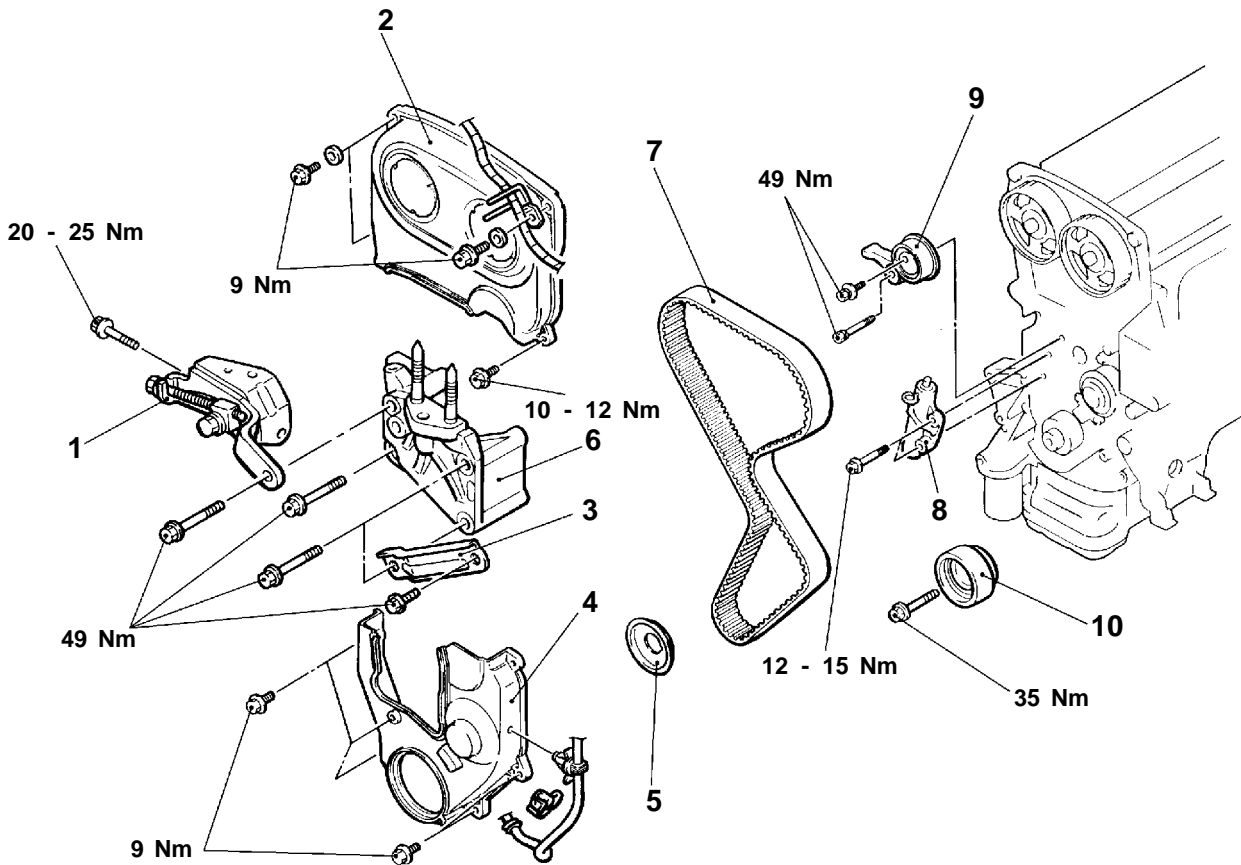


TIMING BELT

REMOVAL AND INSTALLATION

Pre-removal and Post-installation Operation

- Engine Cover Removal and Installation
- Under Cover Removal and Installation
- Crankshaft Pulley Removal and Installation (Refer to P.11B-16.)

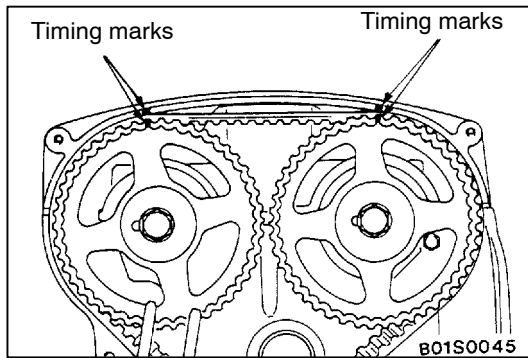


AW0253AJ

Removal steps

1. Alternator brace
2. Timing belt front upper cover
3. Power steering pump bracket stay
4. Timing belt front lower cover
5. Flange
- Engine mount bracket (Refer to GROUP 32.)

- | | | |
|-----|-------------------|--------------------------------------------------------------------------------------------------------------------------------------------------------------------------------------------------------------------------------------------------|
| ◀A▶ | ▶C▶
▶B▶
▶A▶ | <ol style="list-style-type: none"> 6. Engine support bracket ● Timing belt tension adjustment 7. Timing belt 8. Auto tensioner 9. Tensioner pulley and arm assembly 10. Idler pulley |
|-----|-------------------|--------------------------------------------------------------------------------------------------------------------------------------------------------------------------------------------------------------------------------------------------|



REMOVAL SERVICE POINT

◀A▶ TIMING BELT REMOVAL

1. Turn the crankshaft clockwise to align each timing mark.

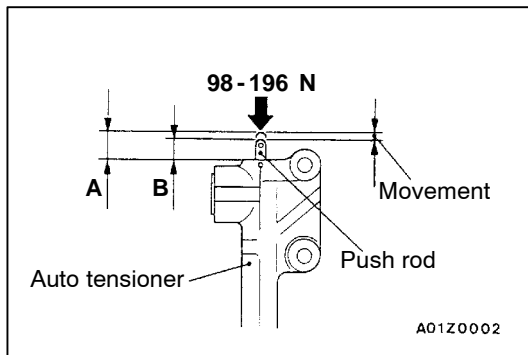
Caution

The crankshaft must always be turned clockwise.

2. Loosen the tensioner pulley center bolt and remove the timing belt.

Caution

If the timing belt is to be re-used, use chalk to mark (on its flat side) an arrow indicating the clockwise direction.



INSTALLATION SERVICE POINTS

▶A◀ AUTO TENSIONER INSTALLATION

1. Apply 98 - 196 N force to the push rod of the auto tensioner by pressing it against a metal (cylinder block, etc.), and measure the movement of the push rod.

Standard value:

Within 1 mm

A: Length when it is free (not pressed)

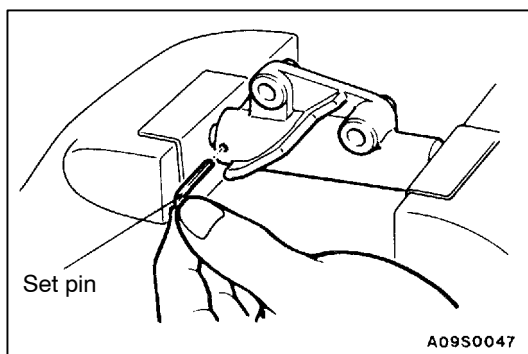
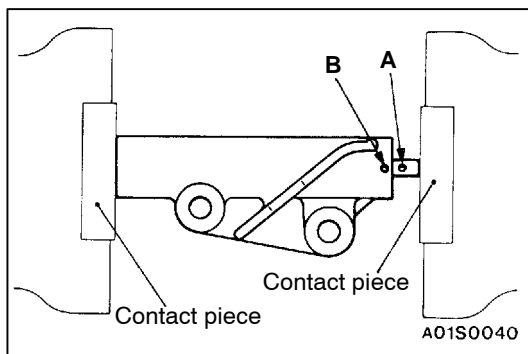
B: Length when it is pressed

A - B: Movement

2. If it is out of the standard value, change the auto tensioner.
3. Use a press or vice to gently compress the auto tensioner push rod until pin hole A of the push rod and pin hole B of the tensioner cylinder are aligned.

Caution

If the compression speed is too fast, the push rod may become damaged, so be sure to carry out this operation slowly.

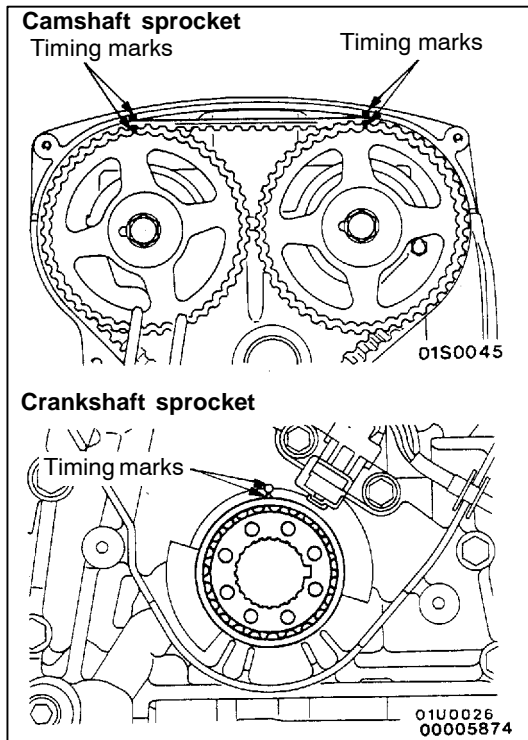


4. Once the holes are aligned, insert the set pin.

NOTE

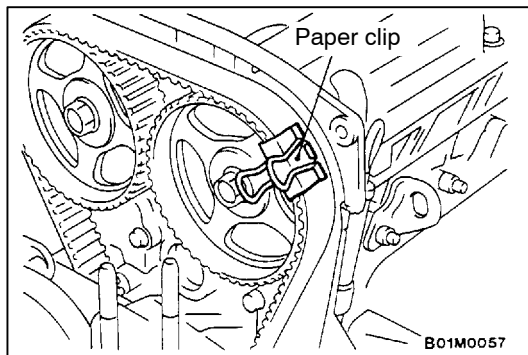
When replacing the auto tensioner with a new part, the pin will be in the auto tensioner.

5. Install the auto tensioner to the engine.

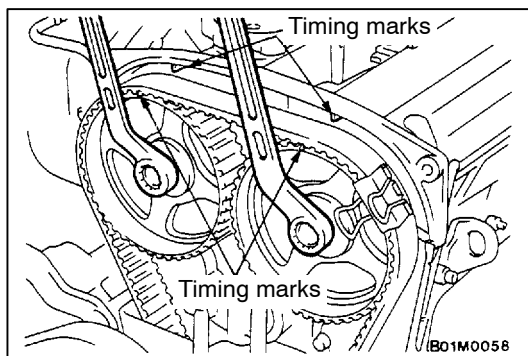


▶B◀ TIMING BELT INSTALLATION

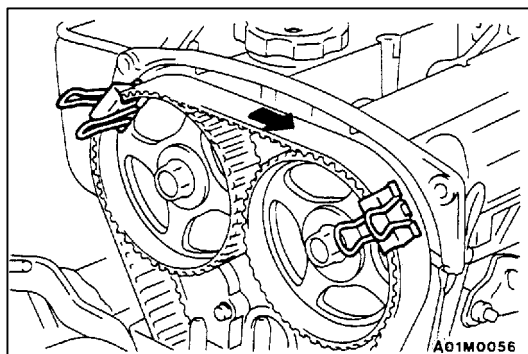
1. Align the timing marks of each camshaft sprocket and the crankshaft sprocket.
2. Loosen the tensioner pulley center bolt.
3. Move the crankshaft sprocket half a tooth width in the anti-clockwise direction.



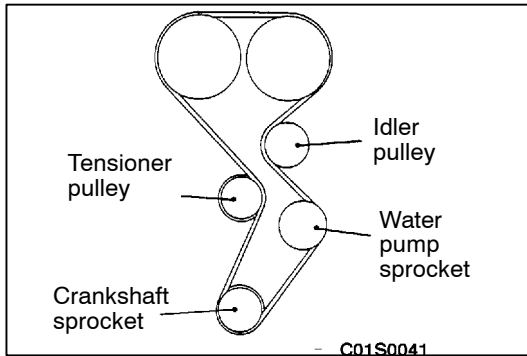
4. Place the timing belt on the exhaust-side camshaft sprocket, and hold it in the position shown in the illustration with a paper clip.



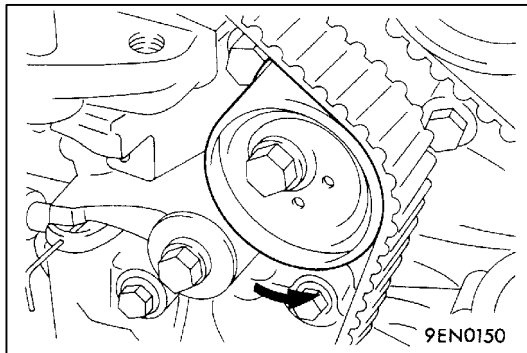
5. Place the timing belt on the intake-side sprocket while using two wrenches to align the timing marks.



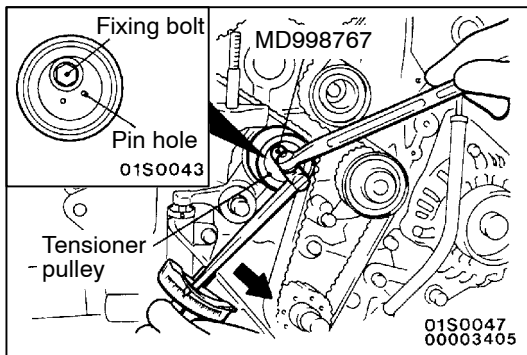
6. Hold the belt in the position shown in the illustration with another paper clip.



7. Place the belt onto the idler pulley, water pump sprocket, crankshaft sprocket and tensioner pulley in that order.
8. Remove the two paper clips.



9. Lift the tensioner pulley in the direction of the arrow and tighten the tensioner pulley bolt.
10. Check to be sure that all timing marks are aligned.
11. Adjust the timing belt tension.



◀▶ TIMING BELT TENSION ADJUSTMENT

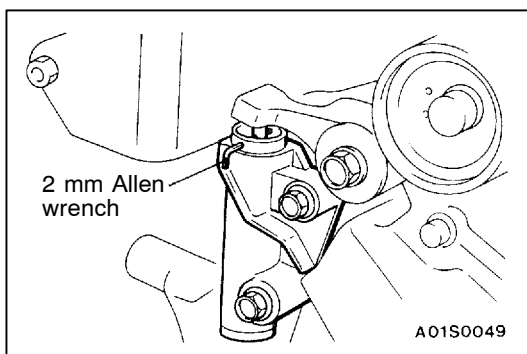
1. After turning the crankshaft a 1/4 turn anti-clockwise, turn it clockwise to the position where the timing marks are aligned.
2. Loosen the fixing bolt of the tensioner pulley and using the special tool and a torque wrench, apply tension to the timing belt; then tighten the fixing bolt at the specified torque.

Standard Value:

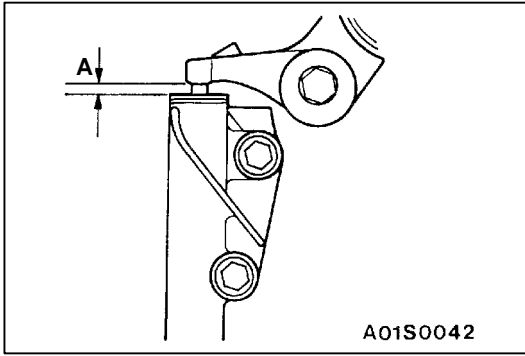
2.5 - 4.0 Nm {timing belt tension torque (reference value)}

Caution

When tightening the fixing bolt, ensure that the tensioner pulley shaft doesn't rotate with the bolt.



3. Take out the 2 mm Allen wrench from the auto tensioner. At this time, check to be sure that 2 mm Allen wrench can be pulled out easily. Turn the crankshaft clockwise 2 turns, and after leaving it in this position for 5 minutes or more, check again to be sure that the auto tensioner 2 mm Allen wrench can be pulled out or inserted easily.

**NOTE**

Even if the 2 mm Allen wrench cannot be easily inserted, then it is satisfactory if the amount of protrusion of the auto tensioner rod is within the standard value.

Standard value (A): 3.8 - 4.5 mm

If it is outside the standard value, repeat the operations in steps 1 to 4.

4. Check to be sure that the timing marks on all sprockets are aligned.

ENGINE ASSEMBLY

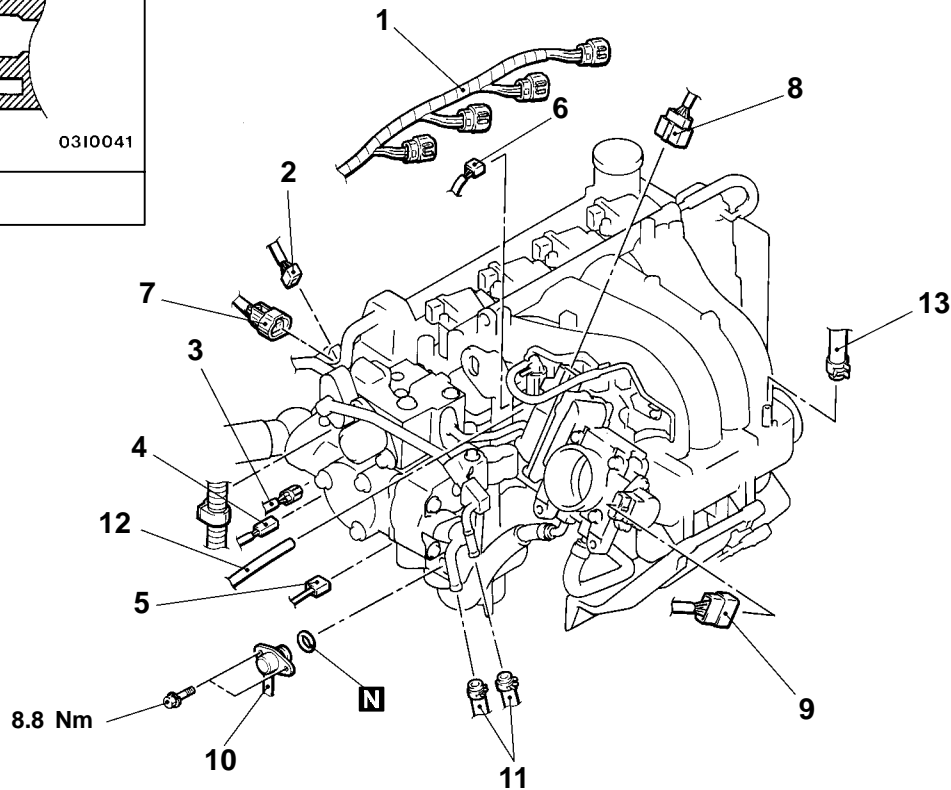
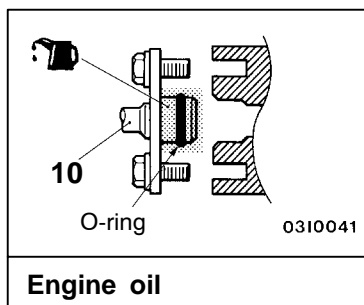
REMOVAL AND INSTALLATION

Caution

Mounting locations marked by * should be provisionally tightened, and then fully tightened when the body is supporting the full weight of the engine.

Pre-removal and Post-installation Operation

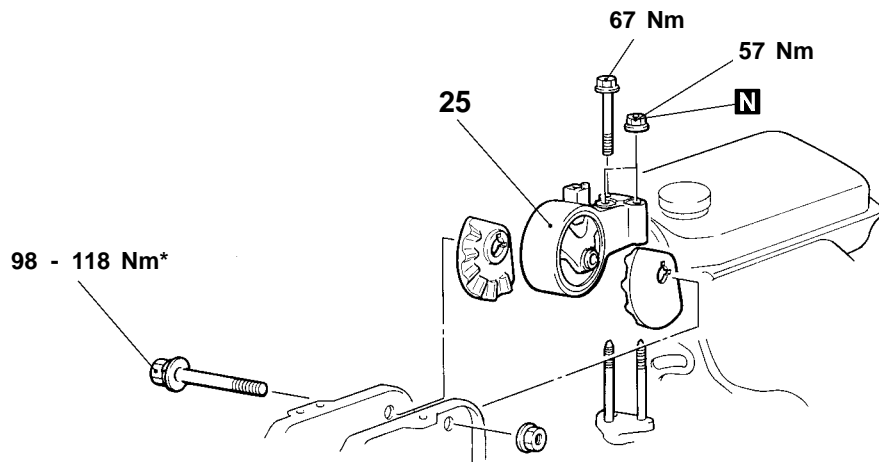
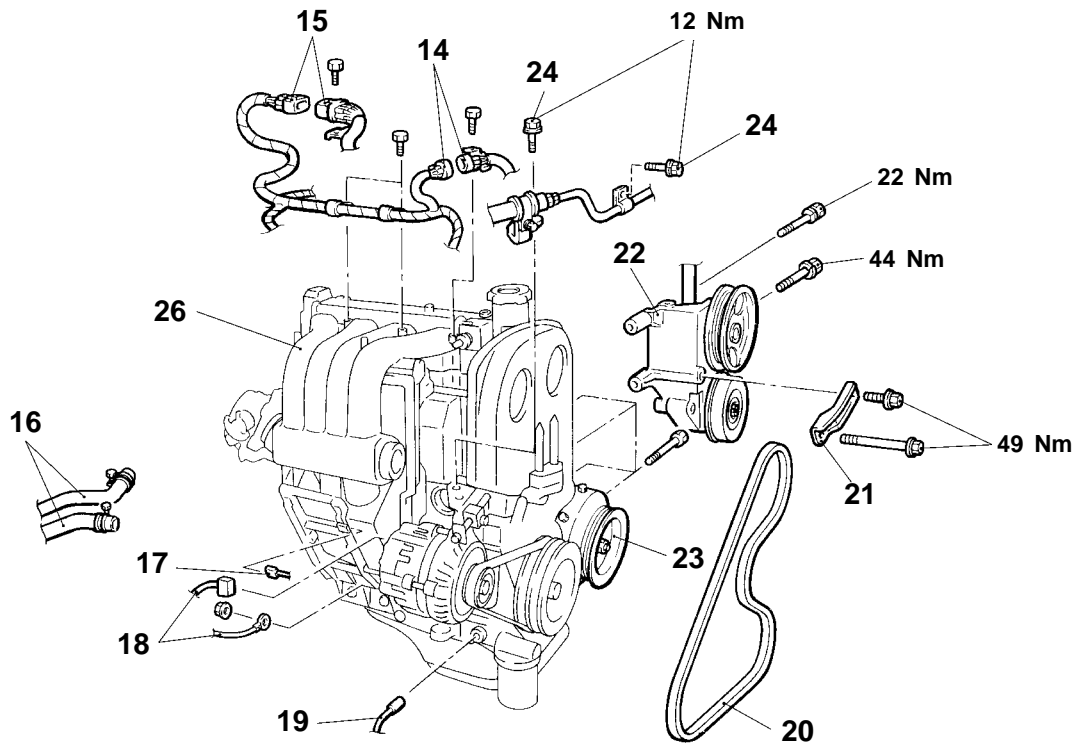
- Prevention of Fuel Discharge <before removal only> (Refer to GROUP 13B - On-vehicle Service.)
- Engine Coolant Draining and Supplying (Refer to GROUP 14 - On-vehicle Service.)
- Hood Removal and Installation (Refer to GROUP 42.)
- Drive Belt Tension adjustment <after installation only> (Refer to P.11B-6.)



W0254AJ
00009320

Removal steps

1. Ignition coil connector
2. Cam position sensor connector
3. Engine coolant temperature sensor connector
4. Engine coolant temperature gauge unit connector
5. Detonation sensor connector
6. Purge solenoid valve connector
7. Fuel pressure sensor connector
8. Throttle valve control servo connector
9. Throttle position sensor connector
- ▶◀ 10. High-pressure fuel hose connection
11. Fuel return hose connection
12. Vacuum hose connection
13. Brake booster vacuum hose connection



01U0137

W0205AJ
00009321

- 14. Crank angle sensor connector
- 15. Injector harness connector
- 16. Heater hose connection
- 17. Oxygen sensor connector
- 18. Alternator connector
- 19. Engine oil pressure switch connector
- 20. Drive belt (Power steering and A/C)



- 21. Power steering oil pump bracket stay
- 22. Power steering oil pump and bracket assembly
- 23. A/C compressor
- 24. Power steering hose mounting bolt
 - Transmission assembly (Refer to GROUP 22.)
- 25. Engine mount bracket
- 26. Engine assembly

REMOVAL SERVICE POINTS**◀A▶ POWER STEERING OIL PUMP AND BRACKET ASSEMBLY REMOVAL**

Remove the power steering oil pump and bracket assembly from the engine with the hose attached.

NOTE

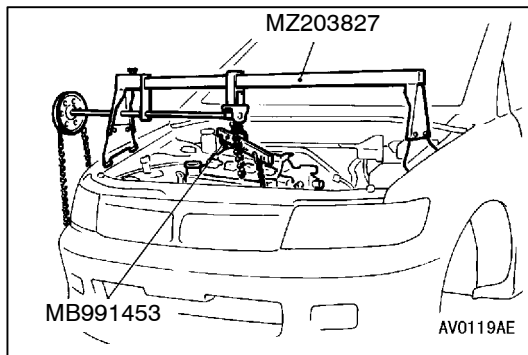
Place the removed power steering oil pump where it will not be a hindrance when removing and installing the engine assembly, and tie it with a cord.

◀B▶ A/C COMPRESSOR REMOVAL

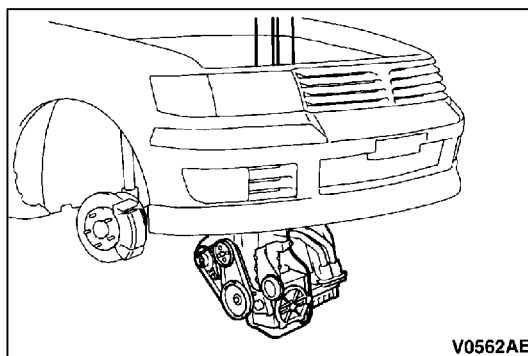
Disconnect the A/C compressor connector and remove the compressor from the compressor bracket with the hose still attached.

NOTE

Place the removed A/C compressor where it will not be a hindrance when removing and installing the engine assembly, and tie it with a cord.

**◀C▶ ENGINE MOUNT BRACKET REMOVAL**

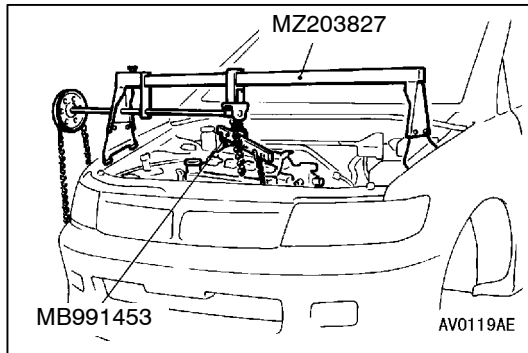
1. Support the engine with a garage jack.
2. Remove the special tool which was attached when the transmission assembly was removed.
3. Hold the engine assembly with a chain block or similar tool.
4. Place a garage jack against the engine oil pan with a piece of wood in between, jack up the engine so that the weight of the engine is no longer being applied to the engine mount bracket, and then remove the engine mount bracket.

**◀D▶ ENGINE ASSEMBLY REMOVAL**

After checking that all cables, hoses and harness connectors, etc., are disconnected from the engine, lift the chain block slowly to remove the engine assembly downward from the engine compartment.

INSTALLATION SERVICE POINTS**▶A◀ ENGINE ASSEMBLY INSTALLATION**

Install the engine assembly, checking that the cables, hoses, and harness connectors are not clamped.

**▶B◀ ENGINE MOUNT BRACKET INSTALLATION**

1. Place a garage jack against the engine oil pan with a piece of wood in between, and install the engine mount bracket while adjusting the position of the engine.
2. Support the engine with the garage jack.
3. Remove the chain block and support the engine assembly with the special tool.

▶C◀ HIGH-PRESSURE FUEL HOSE INSTALLATION

1. Apply a small amount of new engine oil to the O-ring.

Caution

Do not let any engine oil get into the delivery pipe.

2. While turning the high-pressure fuel hose to the right and left, install the delivery pipe, while being careful not to damage the O-ring. After installing, check that the hose turns smoothly.
3. If the hose does not turn smoothly, the O-ring is probably being clamped. Disconnect the high-pressure fuel hose and check the O-ring for damage. After this, re-insert the delivery pipe and check that the hose turns smoothly.