

25. Fuel Pump

A: REMOVAL

WARNING:

Place "NO FIRE" signs near the working area.

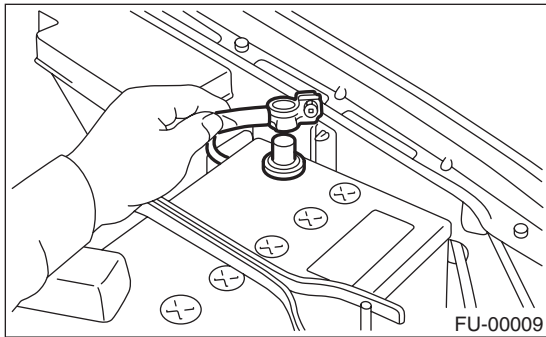
CAUTION:

Be careful not to spill fuel.

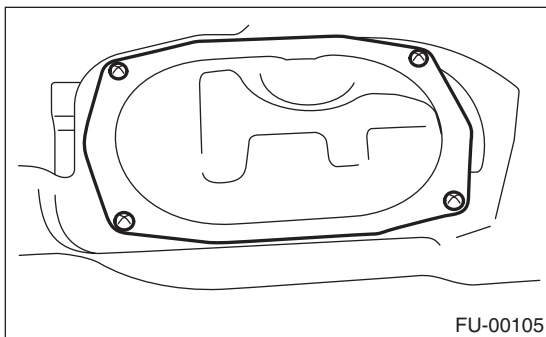
NOTE:

Fuel pump assembly consists of fuel pump, fuel filter and fuel level sensor.

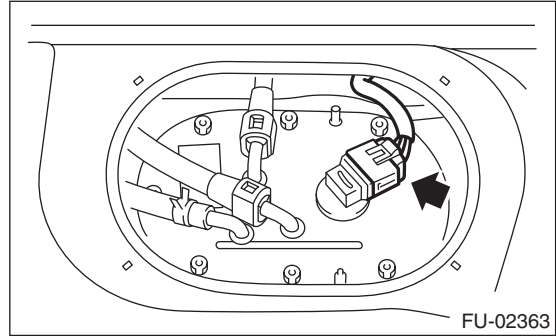
- 1) Set the vehicle on a lift.
- 2) Release the fuel pressure. <Ref. to FU(H4DOTC)-49, RELEASING OF FUEL PRESSURE, PROCEDURE, Fuel.>
- 3) Disconnect the ground cable from the battery.



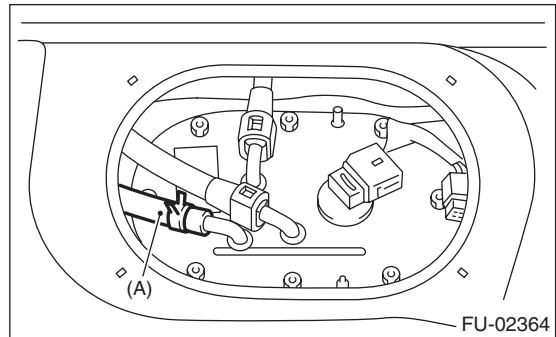
- 4) Open the fuel filler flap lid, and remove the fuel filler cap.
- 5) Lift-up the vehicle.
- 6) Drain fuel from fuel tank. <Ref. to FU(H4DOTC)-49, DRAINING FUEL, PROCEDURE, Fuel.>
- 7) Remove the luggage floor mat. <Ref. to EI-49, REMOVAL, Luggage Floor Mat.>
- 8) Remove the service hole cover.



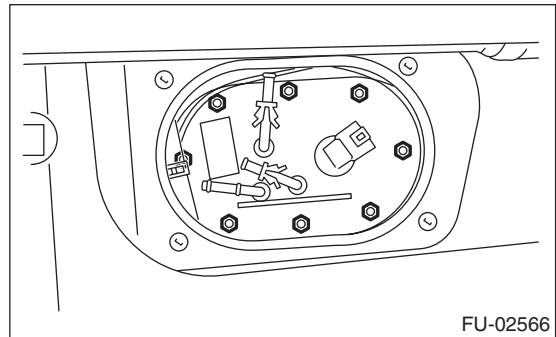
- 9) Disconnect the connector from fuel pump.



- 10) Disconnect the quick connector and then disconnect the fuel delivery hose and return hose. <Ref. to FU(H4DOTC)-64, REMOVAL, Fuel Delivery, Return and Evaporation Lines.>
- 11) Move the clips, and disconnect the jet pump hose (A).



- 12) Remove the nuts which install fuel pump assembly onto fuel tank.



- 13) Remove the fuel pump assembly from the fuel tank.

Fuel Pump

FUEL INJECTION (FUEL SYSTEMS)

B: INSTALLATION

Install in the reverse order of removal while being careful of the following.

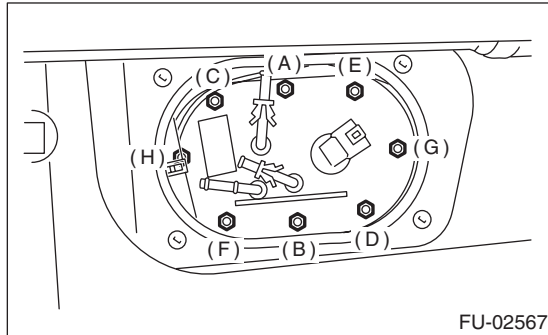
- Make sure the sealing portion is free from fuel or foreign matter before installation.
- Tighten the nuts in alphabetical sequence shown in the figure to the specified torque.

NOTE:

Use a new gasket and retainer.

Tightening torque:

4.4 N·m (0.45 kgf·m, 3.3 ft·lb)



C: INSPECTION

Connect the lead harness to the connector terminal of fuel pump, and apply the battery power supply to check whether the pump operates.

CAUTION:

- Wipe off fuel completely.
- Keep the battery as far apart from fuel pump as possible.
- Turn the battery supply ON and OFF on the battery side.
- Do not run the fuel pump for a long time under non-load condition.

