

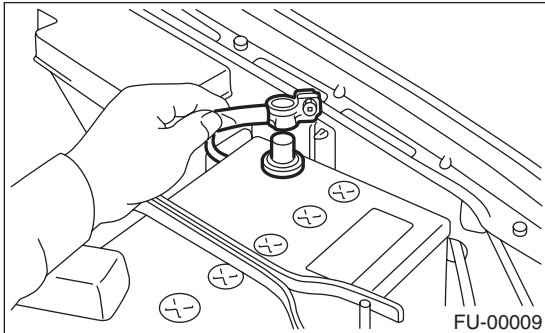
Front Exhaust Pipe

EXHAUST

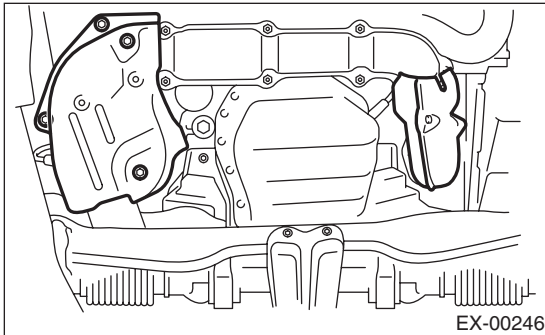
2. Front Exhaust Pipe

A: REMOVAL

- 1) Set the vehicle on a lift.
- 2) Disconnect the ground cable from battery.

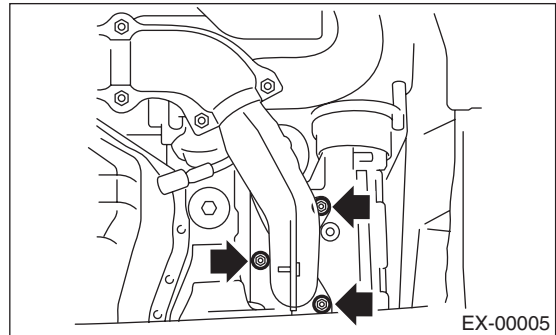
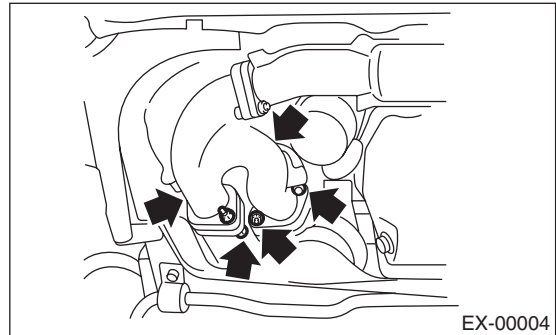


- 3) Remove the collector cover.
- 4) Remove the front oxygen (A/F) sensor. <Ref. to FU(H4DOTC)-40, REMOVAL, Front Oxygen (A/F) Sensor.>
- 5) Remove the under cover.
- 6) Remove the exhaust manifold lower cover (RH) and the exhaust manifold cover (LH).

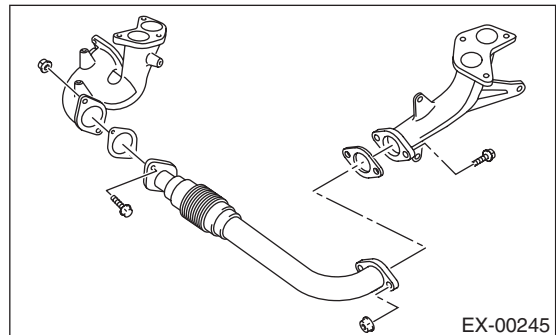


- 7) Remove the nuts which hold front exhaust pipe assembly onto turbocharger joint pipe.

- 8) While holding the front exhaust pipe assembly with one hand, remove the nuts which hold the front exhaust pipe assembly to cylinder head exhaust port.



- 9) Remove the front exhaust pipe assembly.
- 10) Remove the covers from exhaust manifold and front exhaust pipe.
- 11) Separate the front exhaust pipe from exhaust manifolds.



B: INSTALLATION

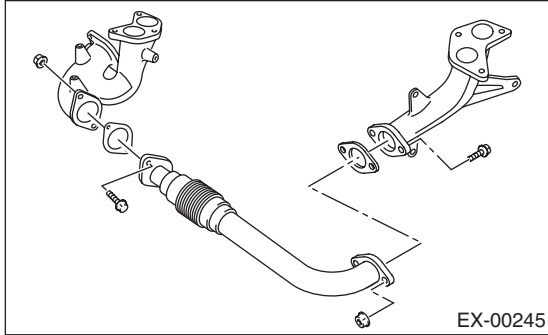
NOTE:

Use a new gasket.

1) Install the front exhaust pipe and the exhaust manifold.

Tightening torque:

35 N·m (3.6 kgf-m, 26.0 ft-lb)



2) Install the front exhaust pipe cover.

Tightening torque:

7.5 N·m (0.8 kgf-m, 5.5 ft-lb)

3) Install the exhaust manifold upper cover (RH).

Tightening torque:

19 N·m (1.9 kgf-m, 14.0 ft-lb)

4) Install the front exhaust pipe assembly.

Tightening torque:

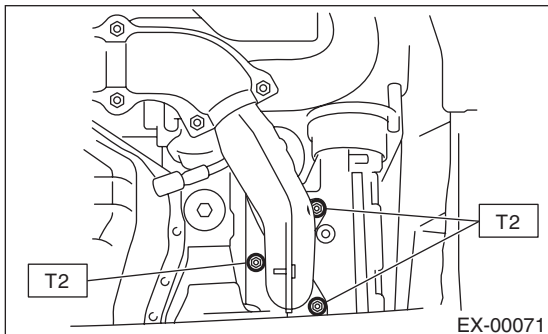
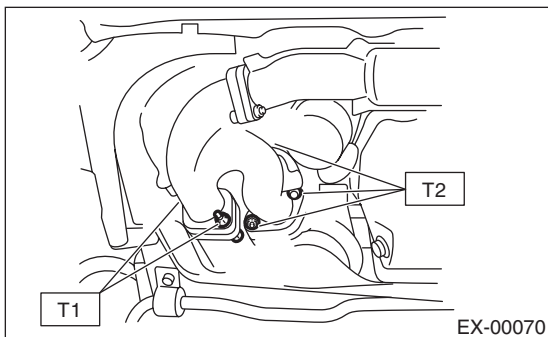
35 N·m (3.6 kgf-m, 26.0 ft-lb)

5) Connect the exhaust manifold (RH) to turbo-charger joint pipe.

Tightening torque:

T1: 35 N·m (3.6 kgf-m, 26.0 ft-lb)

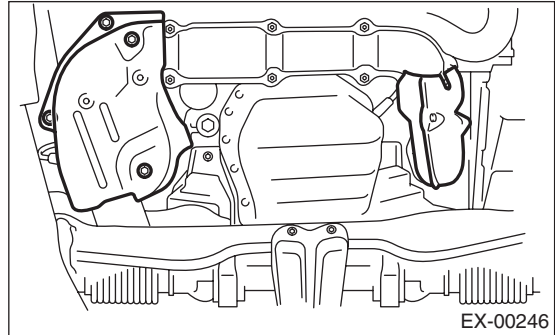
T2: 40 N·m (4.0 kgf-m, 28.9 ft-lb)



6) Install the exhaust manifold lower cover (RH) and the exhaust manifold cover (LH).

Tightening torque:

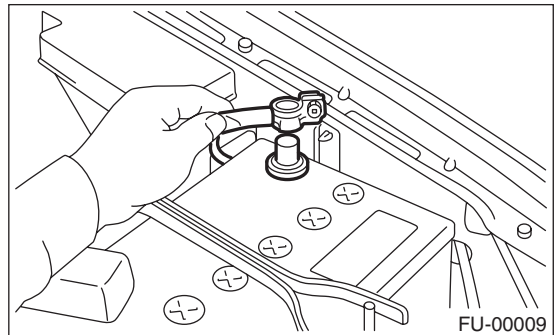
19 N·m (1.9 kgf-m, 14.0 ft-lb)



7) Install the front oxygen (A/F) sensor. <Ref. to FU(H4DOTC)-40, INSTALLATION, Front Oxygen (A/F) Sensor.>

8) Install the under cover.

9) Connect the ground cable to battery.



10) Install the collector cover.