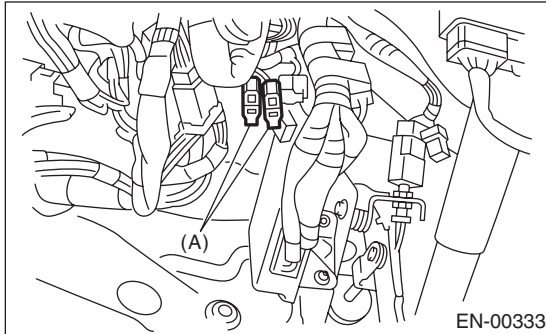


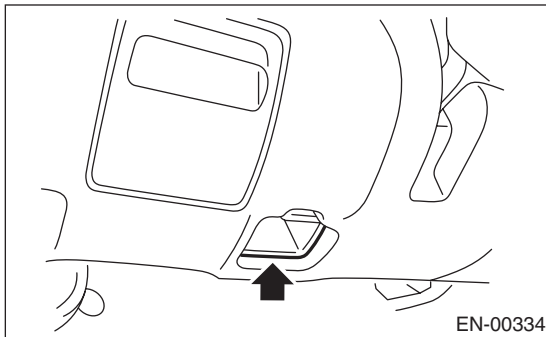
## 14. Compulsory Valve Operation Check Mode

### A: PROCEDURE

- 1) Prepare the Subaru Select Monitor kit. <Ref. to EN(H4DOTC)(diag)-7, PREPARATION TOOL, General Description.>
- 2) Connect the diagnosis cable to the Subaru Select Monitor.
- 3) Connect the test mode connector (A) located at the lower portion of instrument panel (on the driver's side).



- 4) Connect the Subaru Select Monitor to data link connector located in the lower portion of the instrument panel (on the driver's side).



### CAUTION:

**Do not connect any scan tools except the Subaru Select Monitor or the general scan tool.**

- 5) Turn the ignition switch to ON (engine OFF) and run the Subaru Select Monitor.
- 6) On the «Main Menu» display screen, select {Each System Check}.
- 7) On the «System Selection Menu» display screen, select {Engine Control System}.
- 8) Select the [OK] after the information of engine type has been displayed.
- 9) On the «Engine Diagnosis» display screen, select {System Operation Check Mode}.
- 10) On the «System Operation Check Mode» display screen, select {Actuator ON/OFF Operation}.
- 11) Select the desired compulsory actuator on the «Actuator ON/OFF Operation» display screen and select the [OK].

12) Selecting the [NO] completes the compulsory operation check mode. The display will then return to the «Actuator ON/OFF Operation» screen.

- A list of the support data is shown in the following table.

Contents	Display
Compulsory fuel pump relay operation check	Fuel Pump
Compulsory radiator fan relay operation check	Radiator Fan Relay
Compulsory air conditioning relay operation check	A/C Compressor Relay
Compulsory purge control solenoid 1 valve operation check	CPC Solenoid
Compulsory purge control solenoid 2 valve operation check	CPC Solenoid 2
Compulsory pressure control solenoid valve operation check	PCV Solenoid
Compulsory drain valve operation check	Vent. Control Solenoid
Compulsory wastegate control solenoid valve operation check	Wastegate control solenoid
Secondary air combination valve 1 compulsory operation check	Secondary Air Combination Valve 1
Secondary air combination valve 2 compulsory operation check	Secondary Air Combination Valve 2
Secondary air pump relay compulsory operation check	Secondary air pump relay

### NOTE:

- The following parts will be displayed but not functional because they are not installed on the vehicle.

Display
EGR Solenoid
ASV Solenoid
FICD Solenoid
Pressure Switching Sol.1
Pressure Switching Sol.2
AAI Solenoid
Exhaust Bypass Valve Control Permit Flag

- For detailed operation procedure, refer to the "SUBARU SELECT MONITOR OPERATION MANUAL".