

# Vent Valve

EMISSION CONTROL (AUX. EMISSION CONTROL DEVICES)

## 14. Vent Valve

### A: REMOVAL

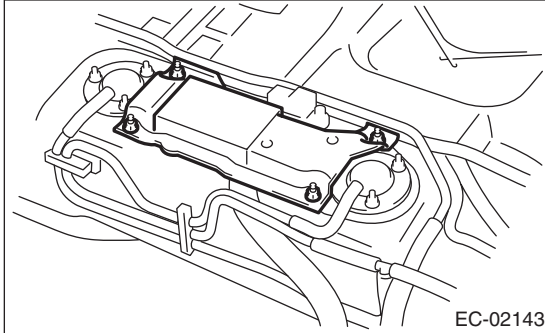
#### WARNING:

Place "NO FIRE" signs near the working area.

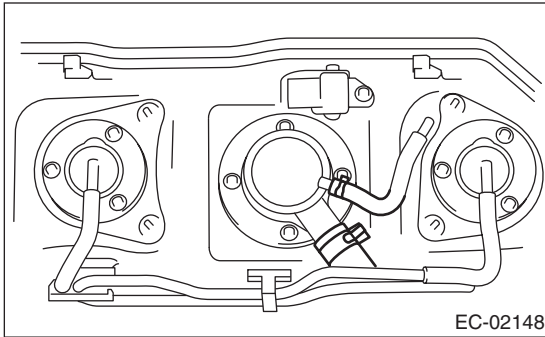
#### CAUTION:

Be careful not to spill fuel.

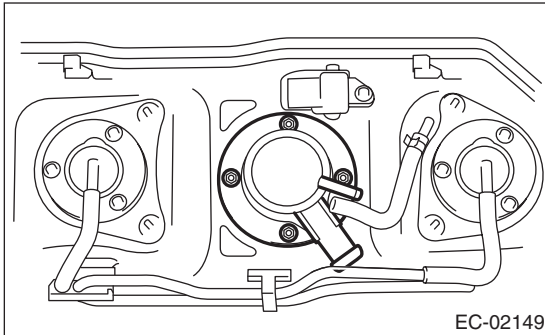
- 1) Remove the fuel tank. <Ref. to FU(H4DOTC)-50, REMOVAL, Fuel Tank.>
- 2) Remove the protect cover.



- 3) Remove the clip and disconnect the hose from the vent valve.



- 4) Remove the nut and then remove the vent valve.



### B: INSTALLATION

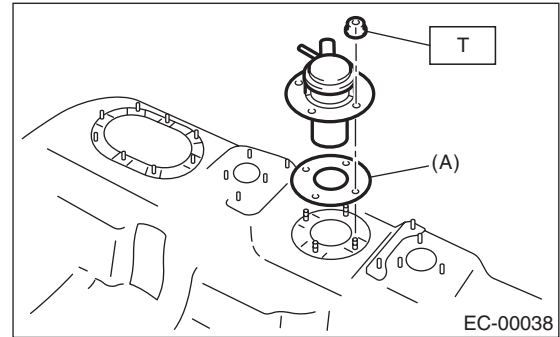
Install in the reverse order of removal.

#### NOTE:

Use a new gasket.

#### Tightening torque:

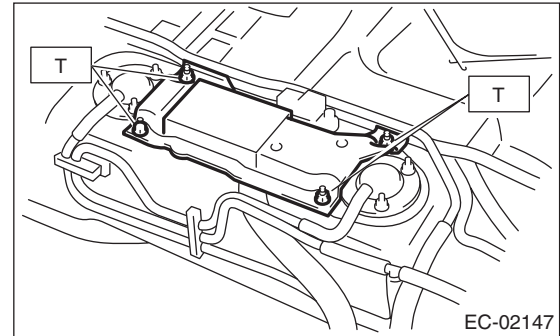
**4.4 N·m (0.45 kgf-m, 3.3 ft-lb)**



(A) Gasket

#### Tightening torque:

**4.4 N·m (0.45 kgf-m, 3.3 ft-lb)**



### C: INSPECTION

Make sure the hoses are not cracked or loose.