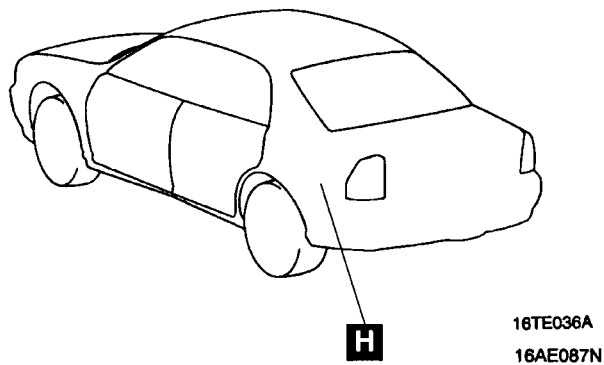
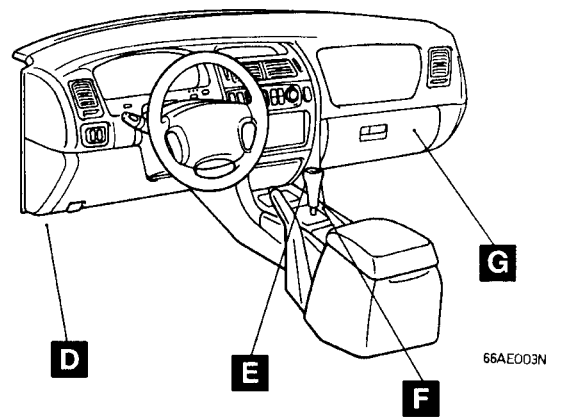
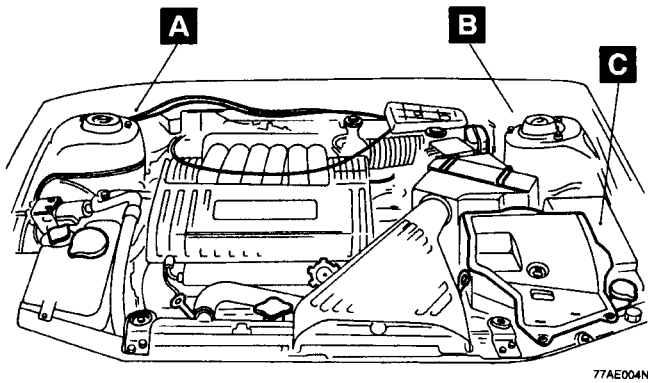

SINGLE PART INSTALLATION POSITION

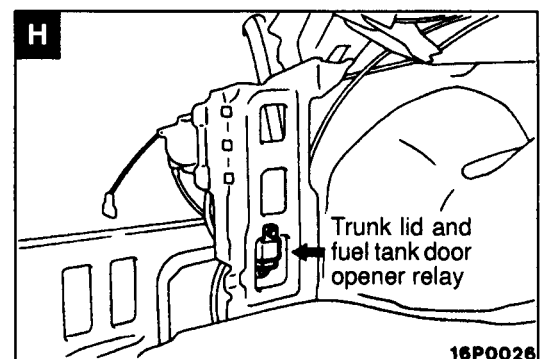
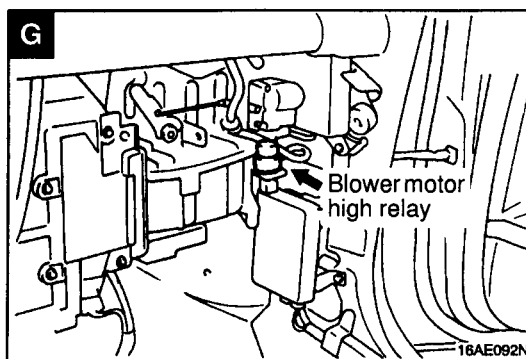
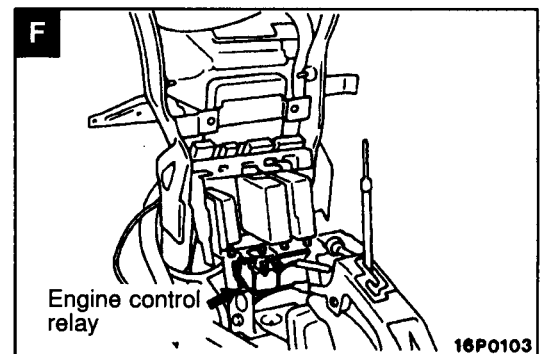
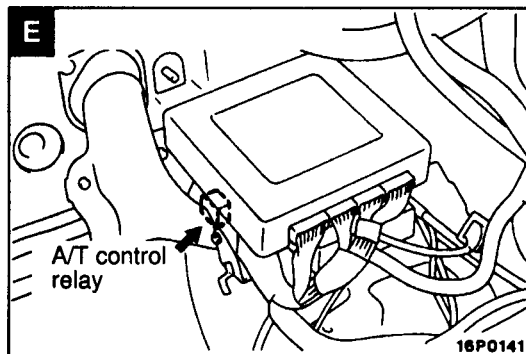
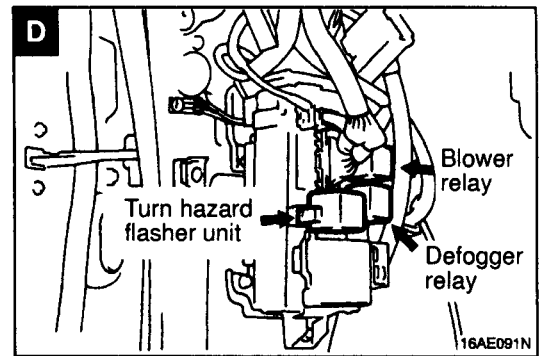
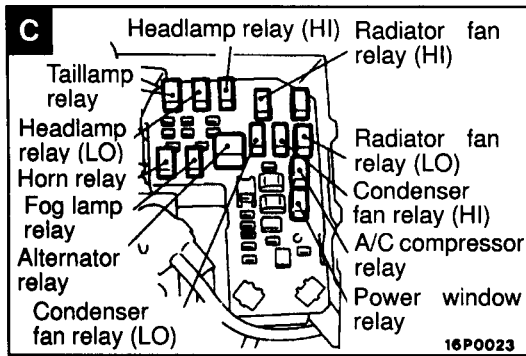
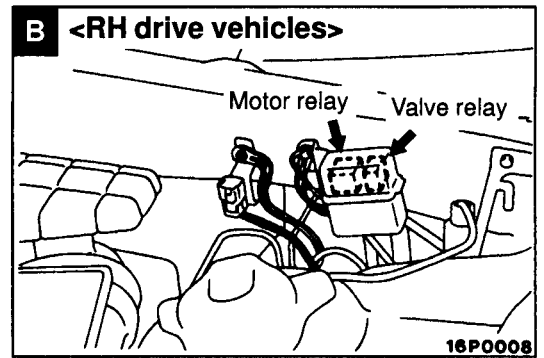
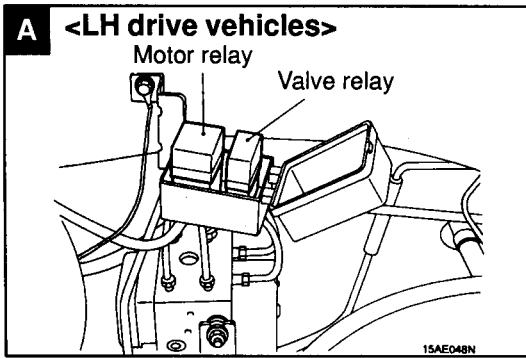
CONTENTS

RELAY	3-2	INSPECTION CONNECTOR	3-11
ECU	3-4	FUSIBLE LINK AND FUSE	3-12
SENSOR	3-6	EARTH CABLE	3-13
SOLENOID VALVE	3-9	EARTH	3-14
DIODE	3-10		

RELAY

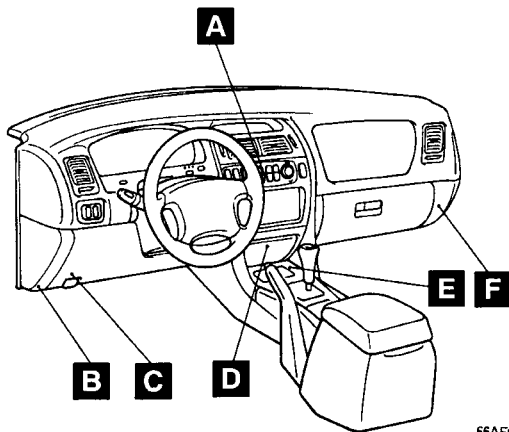
Name	Symbol	Name	Symbol
A/C compressor relay	C	Horn relay	C
A/T control relay	E	Motor relay <ABS>	LHD A
Alternator relay	C		RHD B
Blower relay	D	Power window relay	C
Blower motor high relay	G	Radiator fan relay (LO)	C
Condenser fan relay (HI)	C	Radiator fan relay (HI)	C
Condenser fan relay (LO)	C	Taillamp relay	C
Defogger relay	D	Trunk lid and fuel door opener relay	H
Engine control relay	F	Turn hazard flasher unit	F
Fog lamp relay	C	Valve relay <ABS>	LHD A
Headlamp relay (HI)	C		RHD B
Headlamp relay (LO)	C		



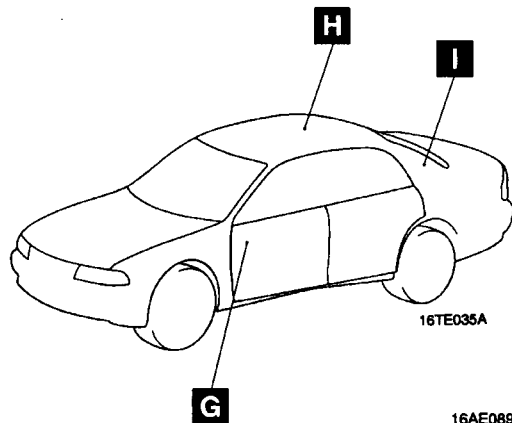


ECU

Name	Symbol	Name	Symbol
ABS-ECU	F	ETACS-ECU	B
A/C-ECU	A	Front door module	G
A/C belt lock ECU	F	Instrument panel ECU	C
Assist-ECU	F	Keyless entry receiver	I
Auto cruise ECU	D	SRS-ECU	D
Engine A/T-ECU <A/T>	E	Sunroof-ECU	H
Engine-ECU <M/T>	E		

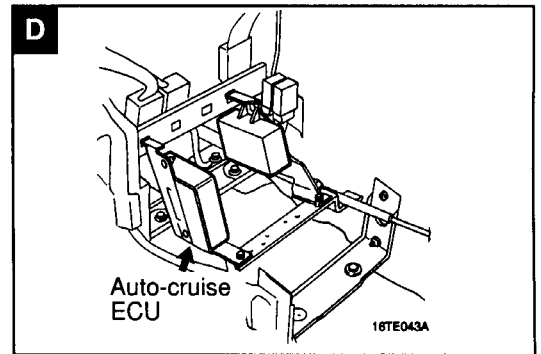
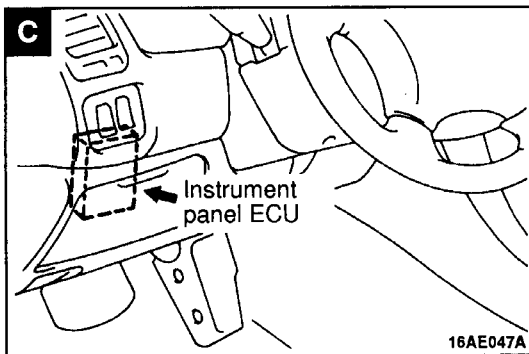
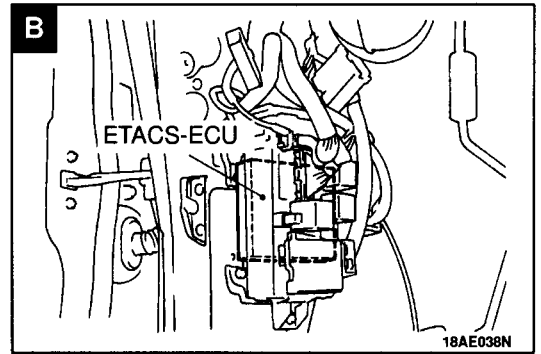
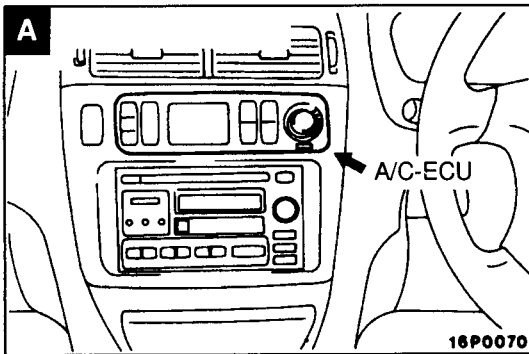


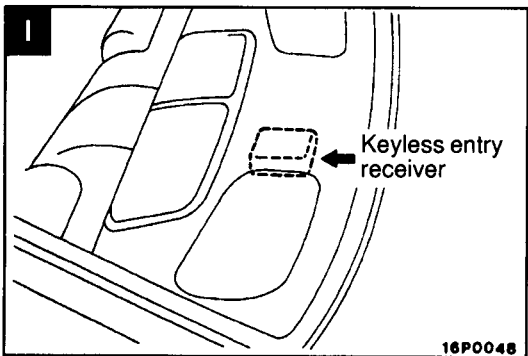
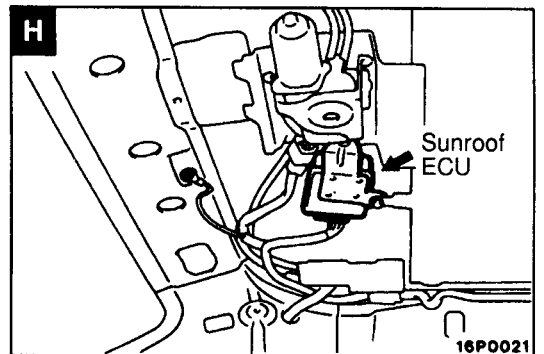
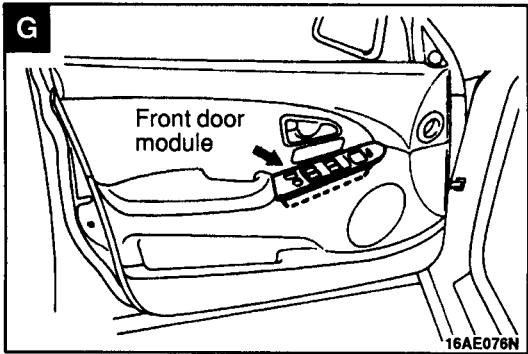
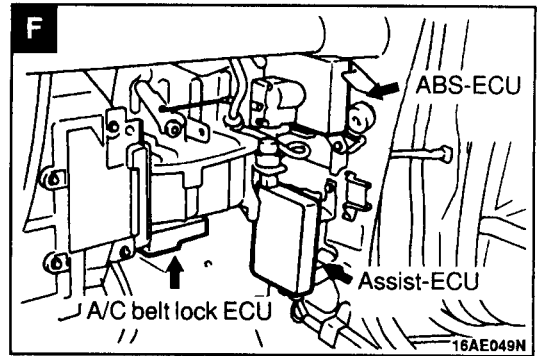
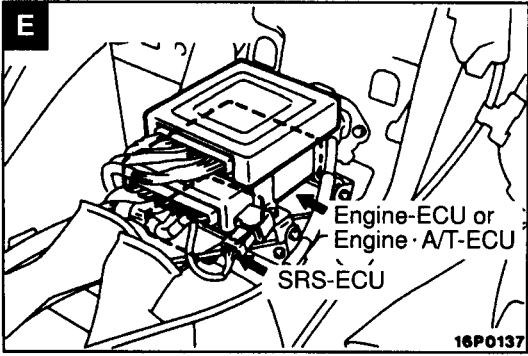
66AE003N



16TE035A

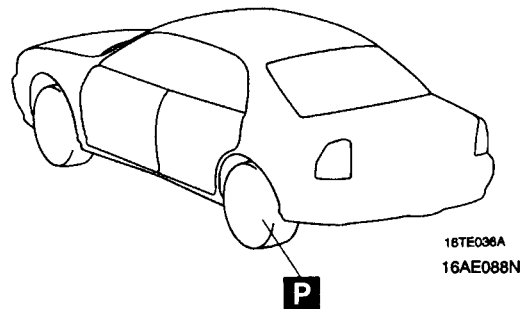
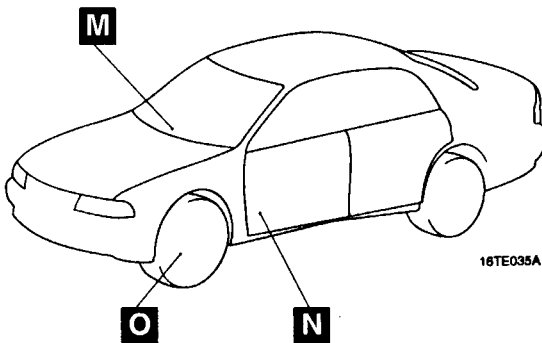
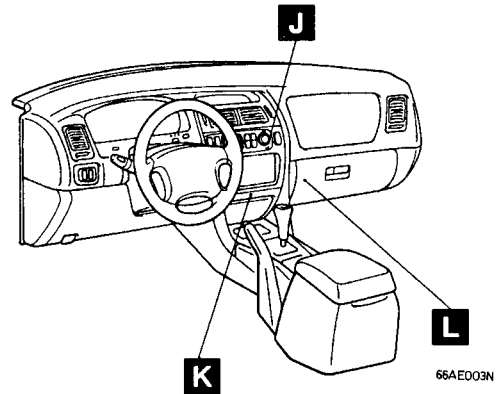
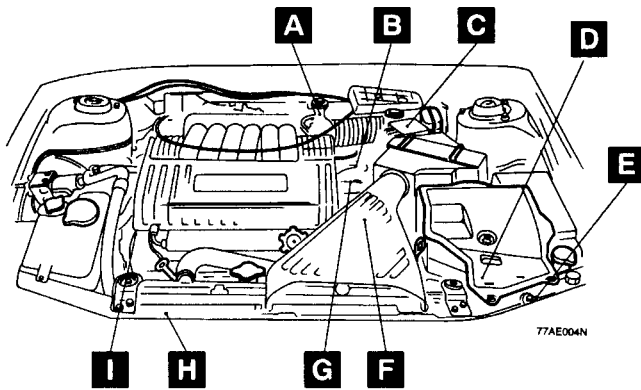
16AE089N

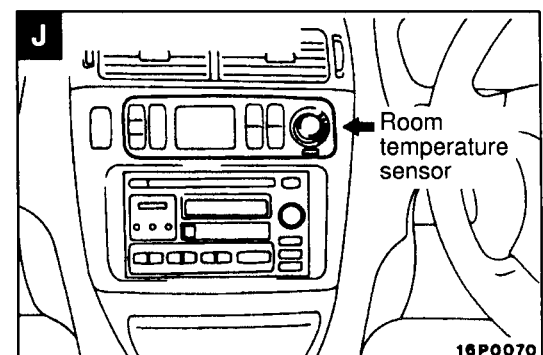
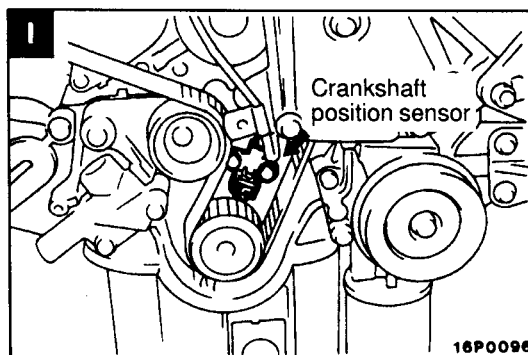
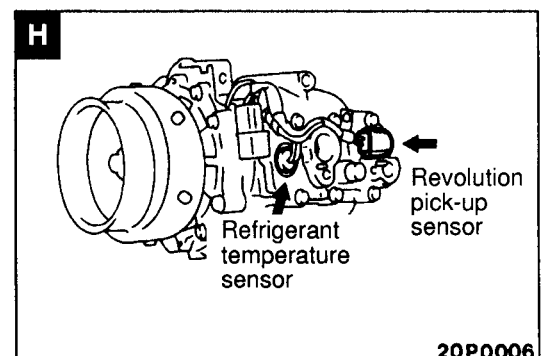
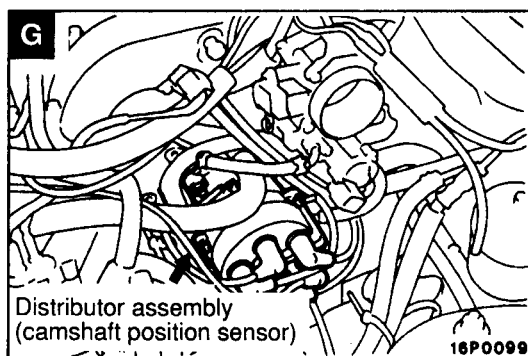
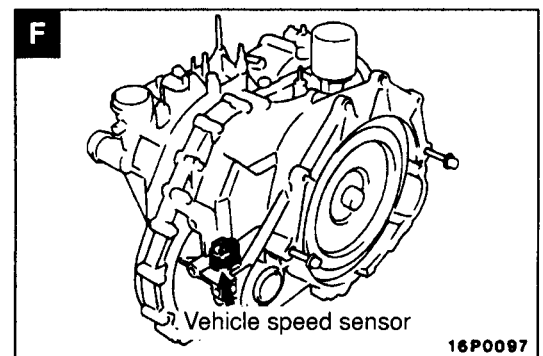
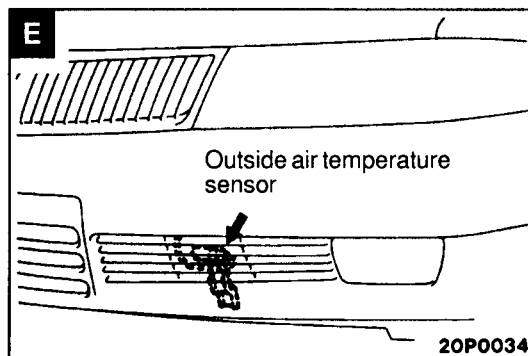
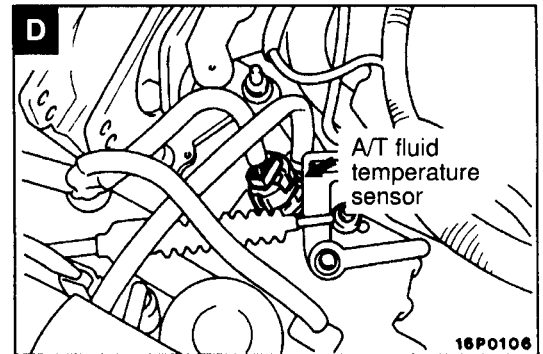
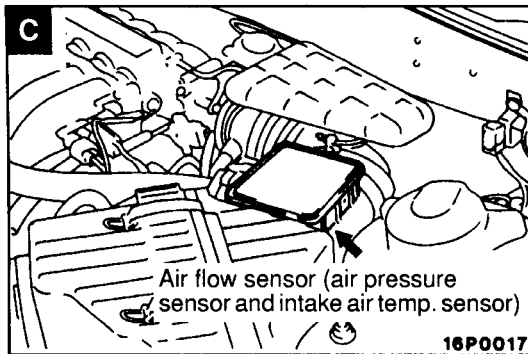
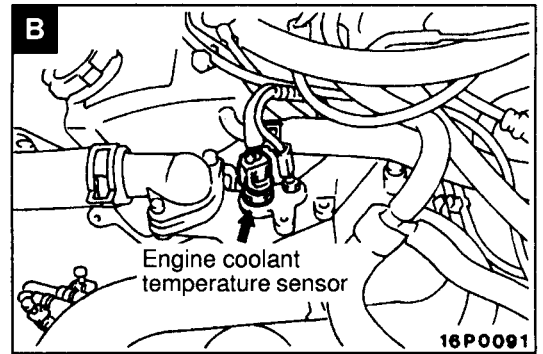
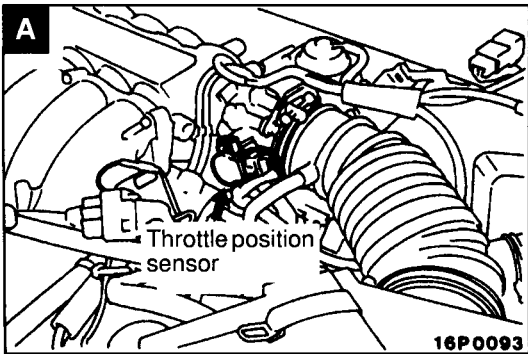


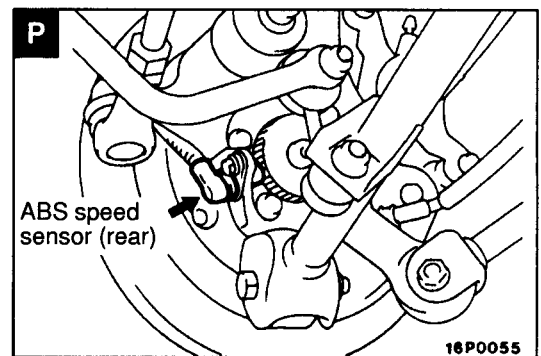
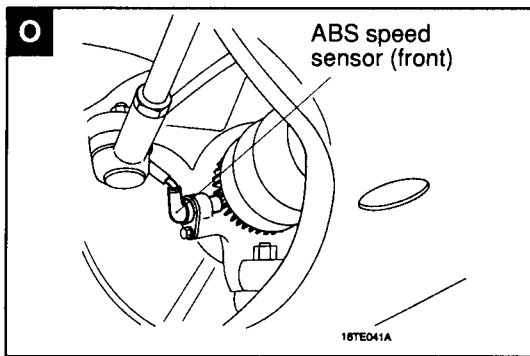
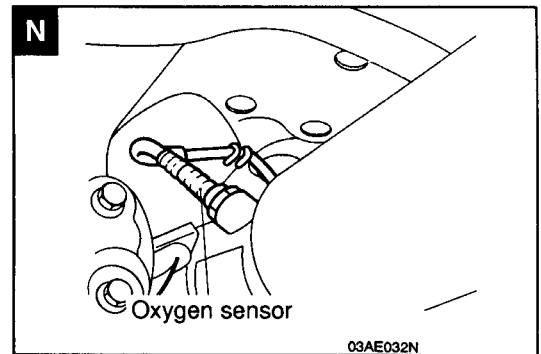
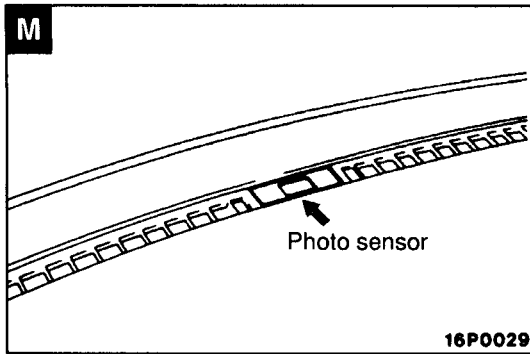
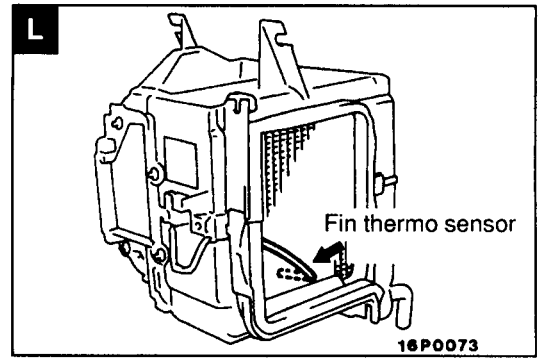
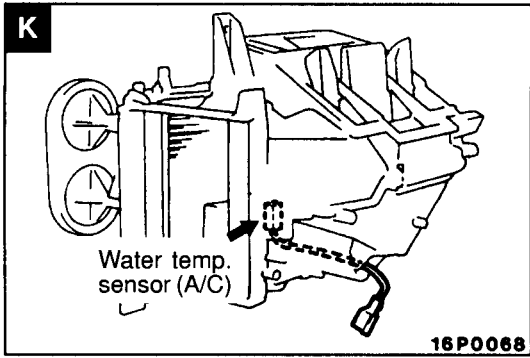


SENSOR

Name	Symbol	Name	Symbol
ABS speed sensor (front)	O	Oxygen sensor	N
ABS speed sensor (rear)	P	Photo sensor	M
Air flow sensor (with built-in barometric pressure sensor and intake air temperature sensor)	C	Refrigerant temperature sensor	H
A/T fluid temperature sensor	D	Revolution pick-up sensor	H
Crankshaft position sensor	I	Room temperature sensor	J
Distributor assembly (with built-in camshaft position sensor)	G	Throttle position sensor	A
Engine coolant temperature sensor	B	Vehicle speed sensor	F
Fin thermo sensor	L	Water temperature sensor <A/C>	K
Outside air temperature sensor <A/C>	E		

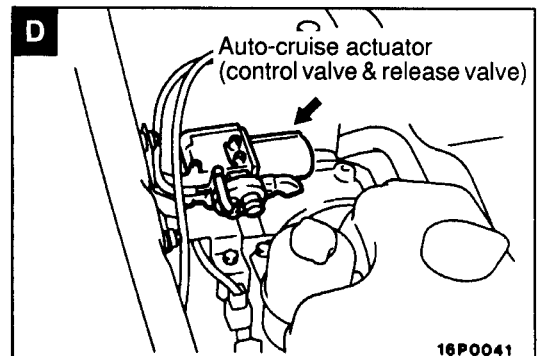
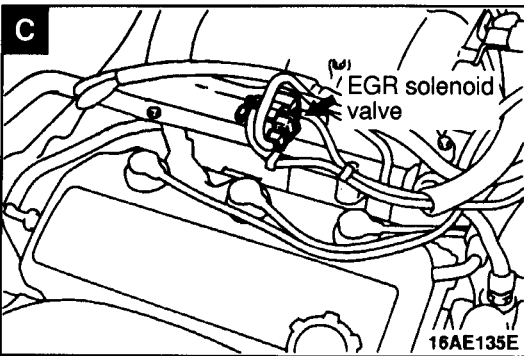
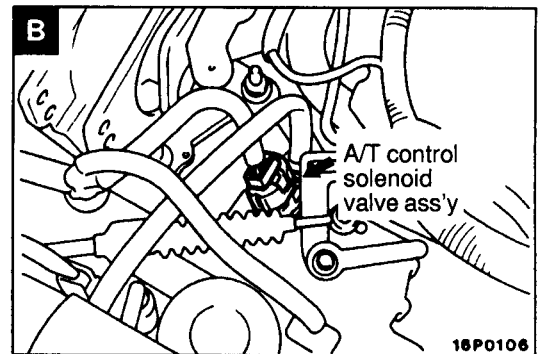
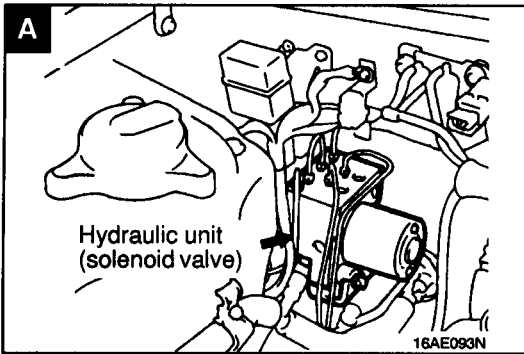
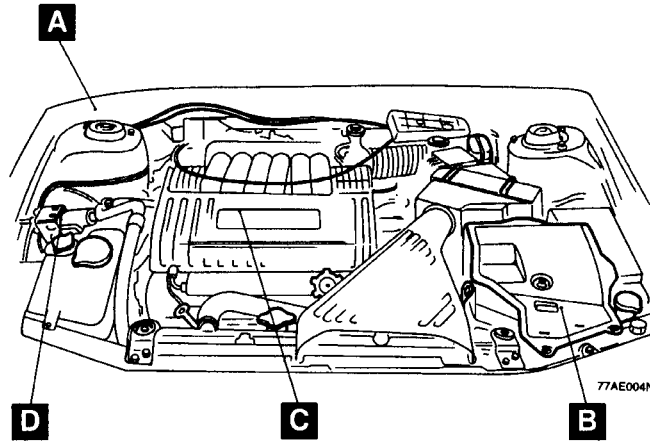




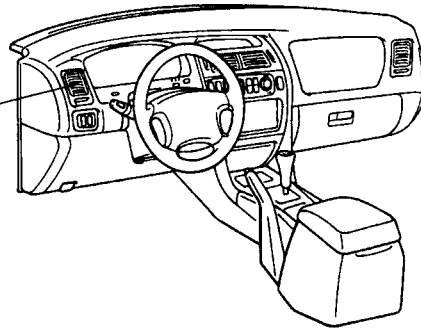
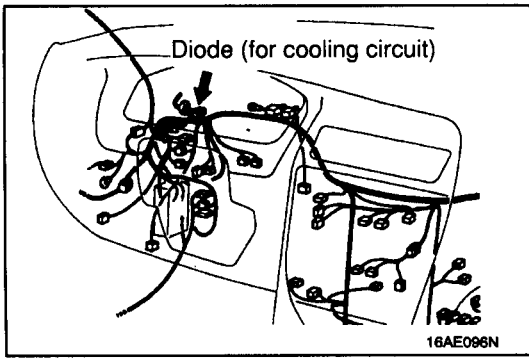


SOLENOID VALVE

Name	Symbol	Name	Symbol
Auto-cruise actuator (with built-in control valve, release valve)	D	EGR solenoid valve	C
A/T control solenoid valve ass'y	B	Hydraulic unit (with built-in solenoid valve) <ABS>	A

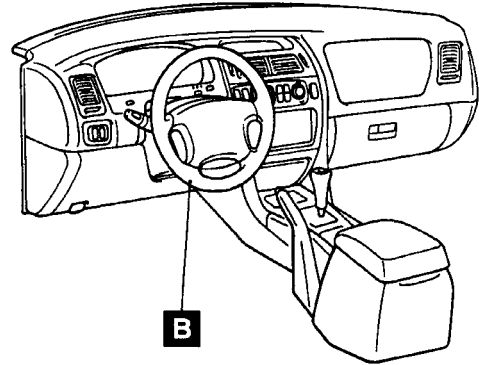
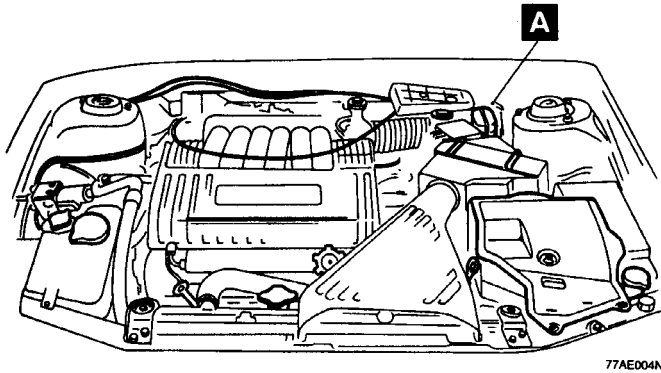


DIODE

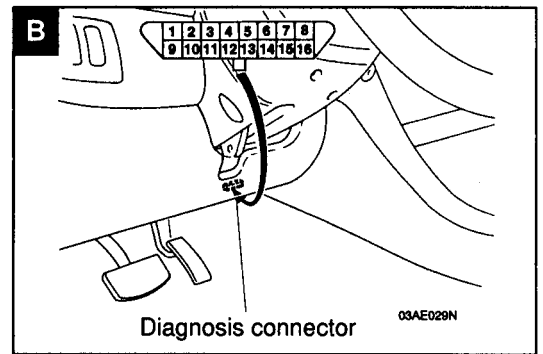
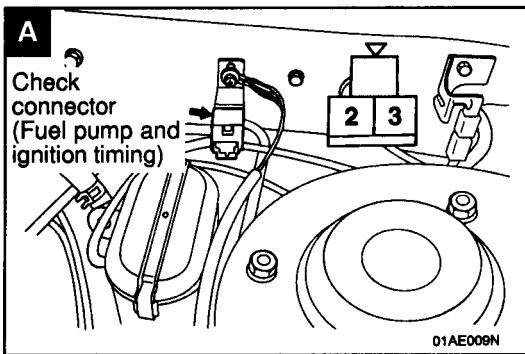


INSPECTION CONNECTOR

Name	Symbol	Name	Symbol
Check connector (Fuel pump and ignition timing)	A	Diagnosis connector	B



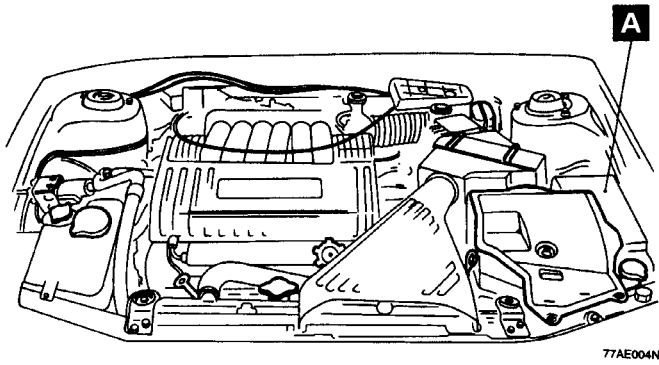
16AE136E



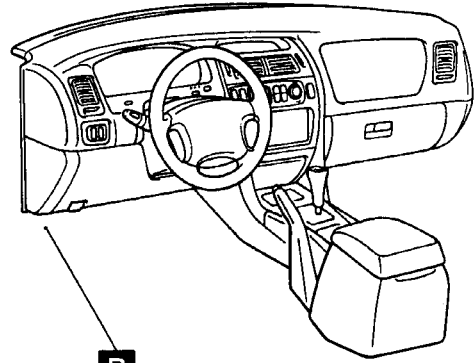
3-12 SINGLE PART INSTALLATION POSITION – Fusible Link and Fuse

FUSIBLE LINK AND FUSE

Name	Symbol	Name	Symbol
Dedicated fuses	A, B	Fusible link	A
Multi-purpose fuses	B		

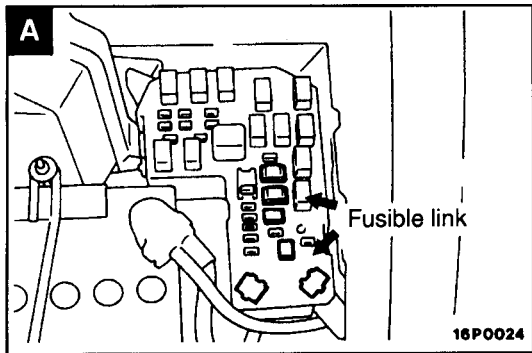


77AE004N

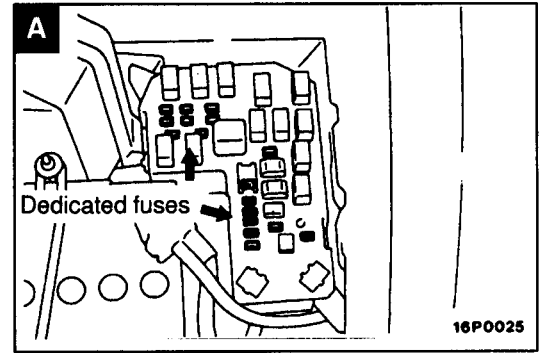


B

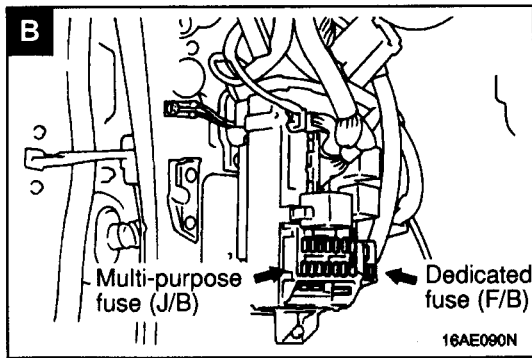
66AE003N
16AE085N



16P0024

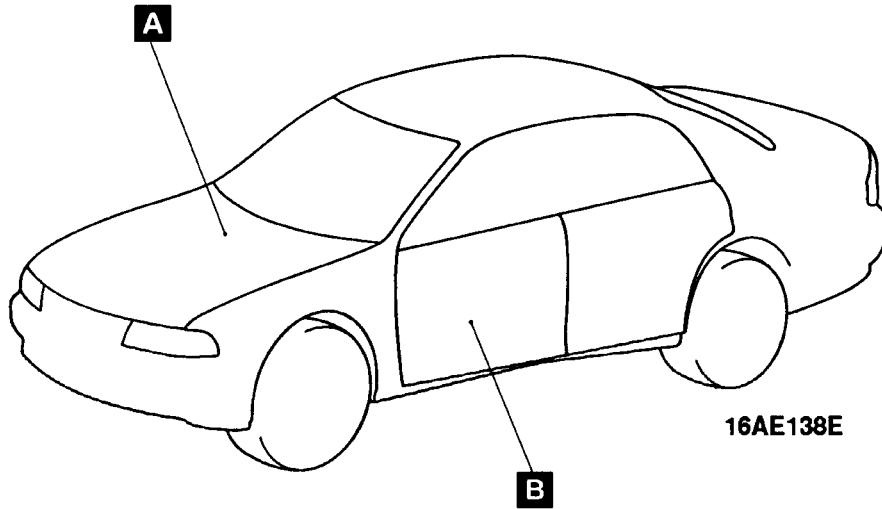


16P0025

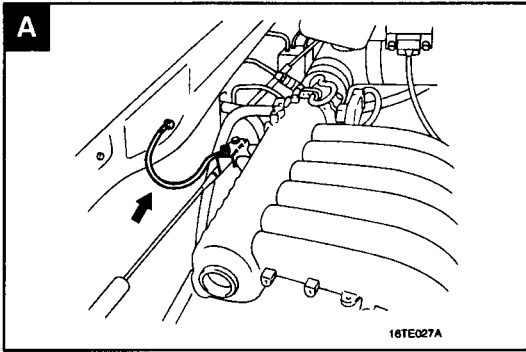


16AE090N

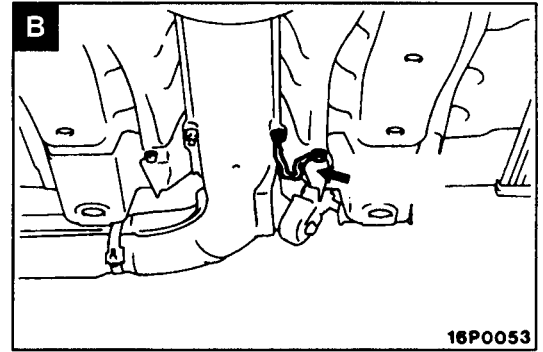
EARTH CABLE



16AE138E



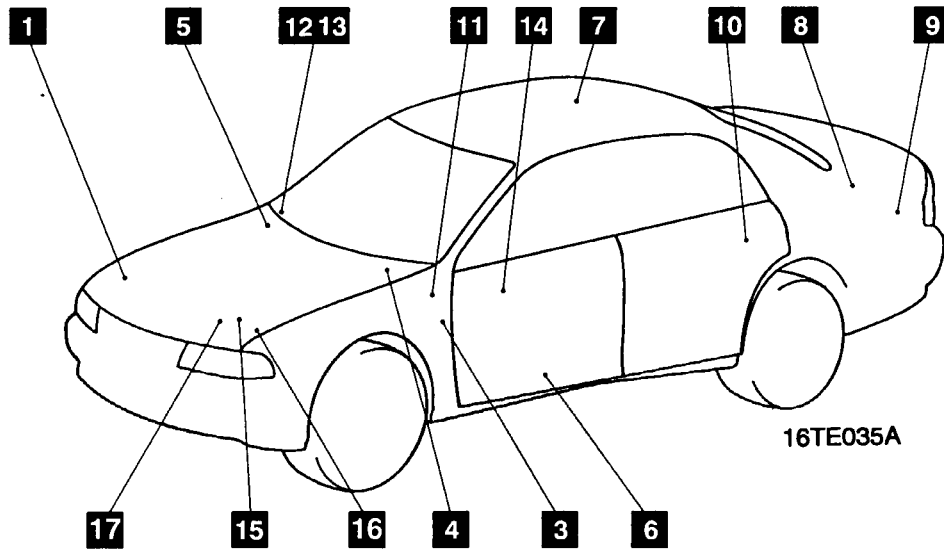
16TE027A



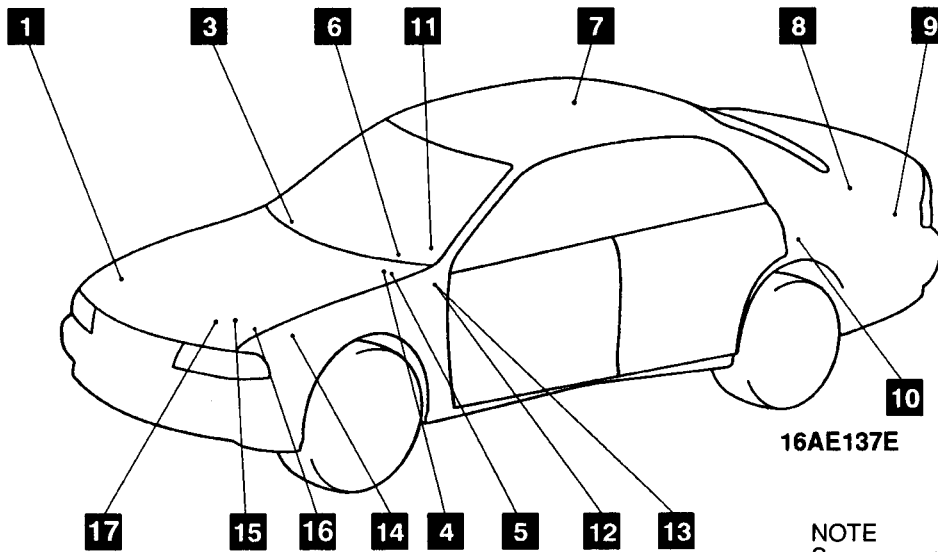
16P0053

EARTH

<LH drive vehicles>



<RH drive vehicles>



NOTE
Same ground numbers are used in the circuit diagram.

