

# MITSUBISHI GALANT





# P erfect fit

“Work hard — play hard” defines your lifestyle, from professional responsibilities to downtime leisure. And now you’ve found the car that perfectly expresses your philosophy: the sporty yet elegant Mitsubishi Galant. Aggressive exterior contours complement sumptuous interior comfort, the whole fulfilled by brilliantly responsive performance systems like our acclaimed GDI (Gasoline Direct Injection) engine and smart INVECS-II (Intelligent & Innovative Vehicles Electronic Control System) automatic transmission with Sports Mode. The Galant fits you and your lifestyle like a fine suit of clothes: prestigious and conservative when you need it to be, exhilaratingly sporty whenever and wherever you want.



Equipment shown may vary.



# Command performance

GDI technology ensures the ideal combination of engine performance assets: superior power and fuel economy with significantly reduced harmful emissions. During normal city driving or highway cruising, the GDI provides superior fuel efficiency in Ultra-Lean Combustion Mode, automatically switching to Superior Output Mode when you need power to overtake. With its sporty performance, excellent fuel economy and environmental responsibility, this 2.0-litre GDI engine satisfies your every desire.



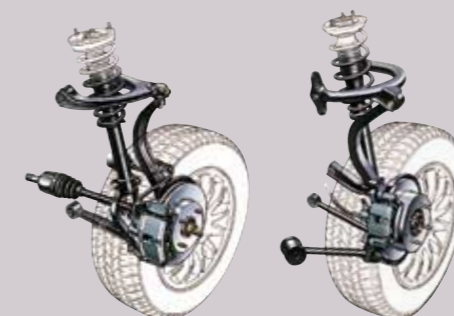
Equipment shown may vary.



2.0 DOHC 16-valve GDI Engine



A "GDI ECO" lamp indicates when the GDI engine is operating in Ultra-Lean Combustion Mode, giving the driver a satisfying sense of doing less harm to the environment, while benefiting from the increased fuel economy.

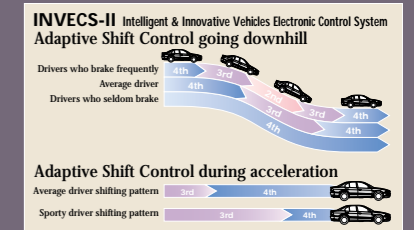


The Galant's multi-link front and rear suspensions deliver precise steering and maximum tyre grip, for optimum handling stability and high-speed cornering control.



Ventilated front and solid rear drum brakes use powerful vacuum boosters to ensure linear, fade-free stopping power.

## INVECS-II SPORTS MODE 4A/T

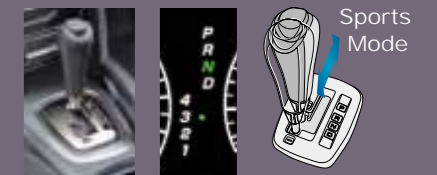


INVECS-II matches gear selection and shift timing to individual driver preferences to provide the full range of driver enjoyment — from leisurely to sporty — safely, easily and comfortably.

This intelligent automatic transmission uses two sophisticated neural logic control programmes — Optimum Shift Control and Adaptive Shift Control — in making decisions to suit its operation to individual driving style.

In Optimum Shift Control, INVECS-II compares current driving style and road conditions to its database of shifting patterns to automatically select the best gear and ideal gearshift timing for a variety of driving situations.

Adaptive Shift Control monitors and learns each individual driver's throttle and braking patterns to adapt its shift timing and gear selection to suit that individual's personal driving style.



Sports Mode allows you to shift up or down merely by moving the lever forward to "P" or back to "R" to fully enjoy the dynamic feel of manual shifting. The currently selected gear is shown by the gear-position indicator located in the middle of the meter cluster.



# Share the joy

There's more than enough enjoyment in the Galant's sumptuous interior to be shared by all occupants. While no one would deny that this is a *driver's* car — with plush, multi-adjustable driver's seat, plus controls, instruments and high-contrast gauges intuitively arranged for spirited driving — passengers will appreciate their ergonomically designed seats and generous head-, leg- and shoulder room.

A variety of newly available interior design packages, featuring leather, wood and titanium accents, allow driving enthusiasts to tailor the cabin to their mobile ideal.



Equipment shown may vary.



High-contrast meters



Fully automatic air conditioner



Multi-adjustable powered front seats



Rear personal lamps



Multi-mode keyless entry system



Sunglasses compartment



Coin box



Floor console box



Illuminated front dual cup holder



Rear dual cup holder



# Ride assured

**RISE BODY**



Occupying equal importance with sporty performance and ride comfort is the Galant's all-round driving safety. An array of active and passive safety systems enables all occupants to relax and fully enjoy the exhilarating results.

Active systems helping the driver avoid accidents range from ABS to defogging door mirrors. Protecting occupants should an accident occur are passive systems like our RISE body and dual front SRS airbags.

You may not be able to see the comprehensive safety that surrounds you upon entering the Galant's cabin, but you'll be assured of the security and stability it provides.



ABS (Anti-lock Braking System) features three braking channels and four sensors, to maximise skid-free brake-force during hard or emergency braking.



Dual SRS (Supplemental Restraint System) front airbags, when used in conjunction with ELR seatbelts, maximise front occupant protection in head-on collisions.



Anti-trapping power windows automatically stop and reverse upon encountering an obstacle while closing.



Electronically controlled folding door mirrors with defoggers enhance driver safety, especially while reversing in inclement weather.

**VR-G**



### STANDARD EQUIPMENT

- ABS (Anti-lock Braking System) • 15" light alloy wheels • Front and rear mudguards • Colour-keyed electronically controlled folding door mirrors • Colour-keyed side protector mouldings • Black side airdams • High-mount stop lamp • Driver's and front passenger's SRS front airbags • Power steering • Tachometer • Digital quartz clock • Fully automatic air conditioner • Central door locking system • Multi-mode keyless entry system • Anti-trapping power windows • Sunglasses pocket • Front and rear cup holders • Front height-adjustable headrests • 3-point ELR front seatbelts with pretensioners • Height-adjustable front seatbelt anchors • 3-point ELR rear seatbelts • Rear seat centre armrest • Rear headrests.

### OPTIONAL EQUIPMENT

- 15" light alloy wheels (Bright-type) • Front parabola-type fog lamps • Colour-keyed front airdam extension • Large-size under cover • Colour-keyed electronically controlled folding door mirrors with defoggers • Colour-keyed rear spoiler with high-mount stop lamp • Electronically controlled anti-trapping sunroof • Titanium centre and floor console panels • Black interior package • Sports beige interior package • Super sport package • Executive sport interior package • Cool sport interior package.



Front airdam extension



Rear spoiler with high-mount stop lamp



Electronically controlled anti-trapping sunroof

## Recommended optional exterior package

### Super sport package



- 15" ventilated front disc brakes • Rear 14" solid disc brakes • 16" light alloy wheels • Colour-keyed large front grille • Front and rear red "VR" badge • Colour-keyed large front bumper with integrated fog lamps • Colour-keyed large side airdams • Colour-keyed large rear bumper and rear side airdams • Large muffler cutter • Rear spoiler with high-mount stop lamp • High-contrast meters.

Note: Some of the equipment listed/shown may vary.



# Recommended optional interior package

## Sport beige interior package



- Black leather-wrapped steering wheel
- Wood and leather-wrapped gearshift knob and parking brake lever.

## Executive sport interior package



In addition to the above Sport beige interior package, Executive sport interior package includes: • Beige leather seats • Front power seats • Beige leather-like PVC floor console box with lid • Beige leather-like PVC door inserts.

## Black interior package



- Black fabric seats
- Titanium center and floor console panels
- Black leather-wrapped steering wheel, gearshift knob and parking brake lever.

## Cool sport interior package



In addition to the above Black interior package, Cool sport interior package includes: • Black leather seats • Front power seats • Black leather-like PVC floor console box with lid • Black leather-like PVC door inserts.

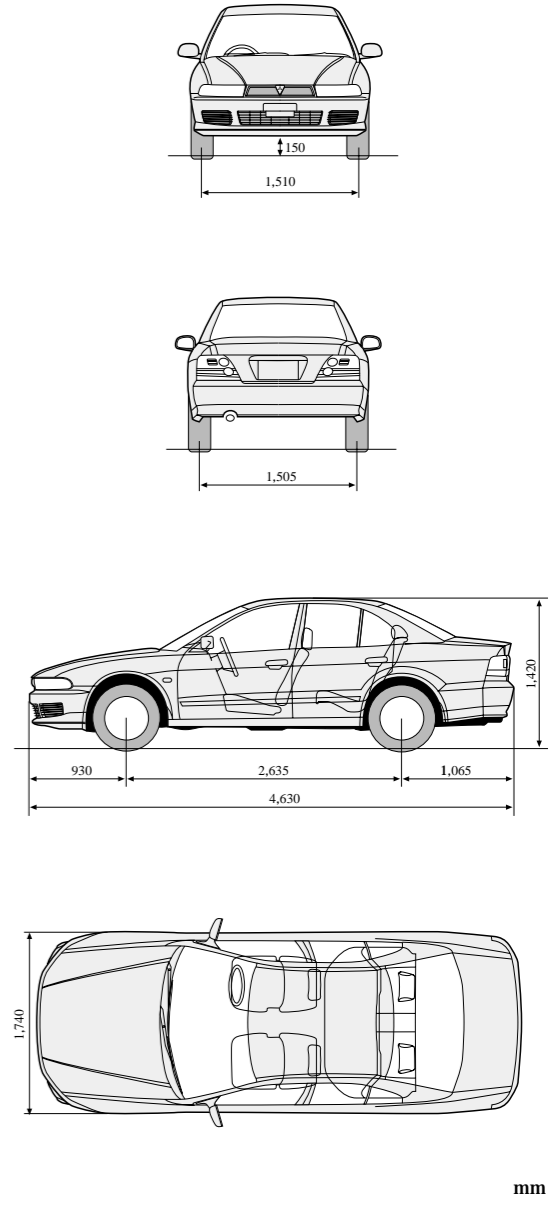
Note: Some of the equipment listed/shown may vary.

## SPECIFICATIONS

ITEM	Model	VR-G	
	Model code	EA7ASRGCR1D	
DIMENSIONS & WEIGHT	Overall length	mm	4,630
	Overall width	mm	1,740
	Overall height	mm	1,420
	Wheelbase	mm	2,635
	Ground clearance	mm	150
	Min. turning radius	m	5.4
	Kerb weight	kg	1,270
	Seating capacity	5	
ENGINE	Code	4G94 GDI	
	Type	DOHC 16-valve, in-line 4-cylinder	
	Displacement	cc	1,999
	Max. output (EEC net)	kW(PS)/rpm	107 (145)/5,700
	Max. torque (EEC net)	N-m(kg-m)/rpm	191 (19.5)/3,750
	FUEL SYSTEM	Fuel supply equipment	GDI (Gasoline Direct Injection)
Fuel tank capacity		lit.	64
TRANSMISSION	Type	INVECS-II 4-speed automatic with Sports Mode	
	Type of gear	Rack-and-pinion power-assisted	
STEERING	Front	Multi-link with stabiliser bar	
	Rear	Multi-link	
BRAKES	Front	Ventilated discs	
	Rear	Leading and trailing drums	
TYRES	Front & rear	195/60R15	

Note: These specifications are subject to change without notice. Please contact your local Mitsubishi dealer/distributor for detailed specifications.

## DIMENSIONAL VIEWS



## EXTERIOR & INTERIOR COLOUR COMBINATIONS

Exterior colours									
Seat materials and colours	Knit (Beige)								
	Optional Knit (Black)								
	Optional Executive Sport Interior Package Leather (Beige)								
	Optional Cool Sport Interior Package Leather (Black)								

Note: The colours shown are approximate and may differ from the actual colours. (M)=Metallic (P)=Pearl

Note: Some of the equipment listed/shown may vary in appearance and/or availability. Please contact your local Mitsubishi dealer/distributor for more information.