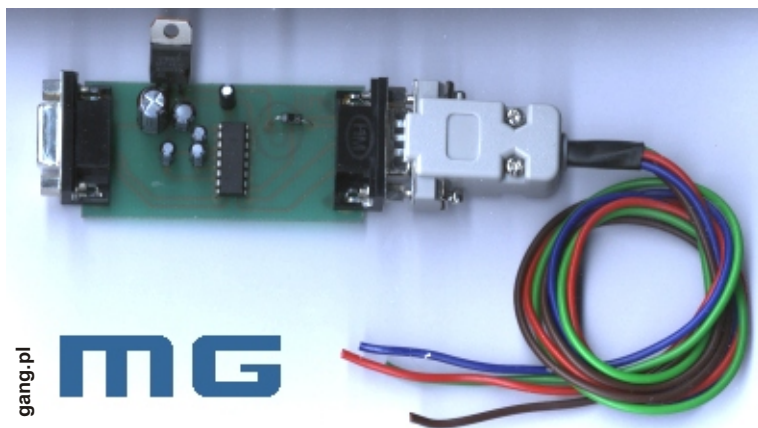


### interface MG



gang.pl **MG**

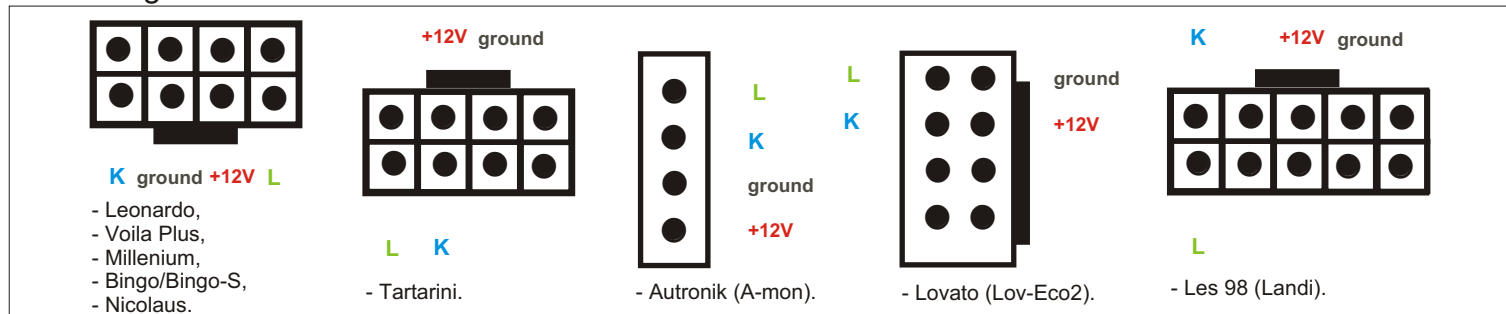
#### Rx,Tx RECEIVER/TRANSMITTER



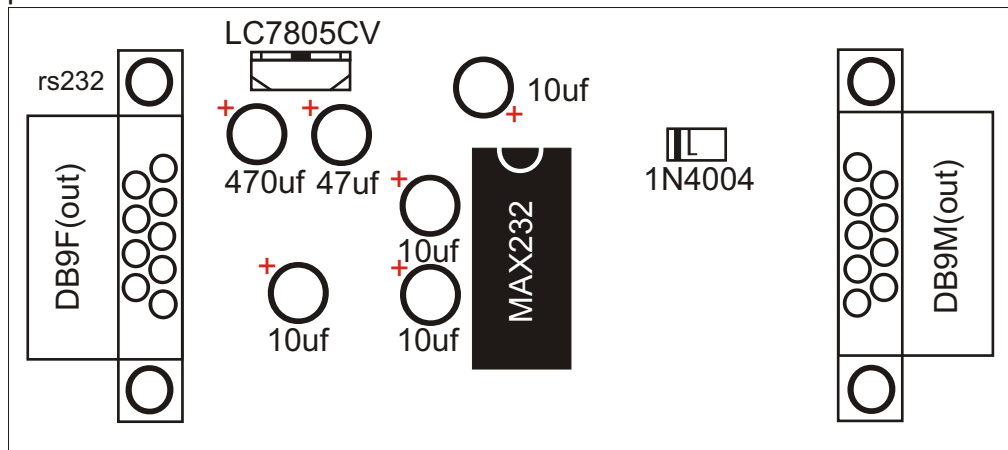
brown - ground  
red - power +12 V  
green - L line (Rx out)  
blue - K line (Tx in)

PC software system - DOS, Windows

#### connecting



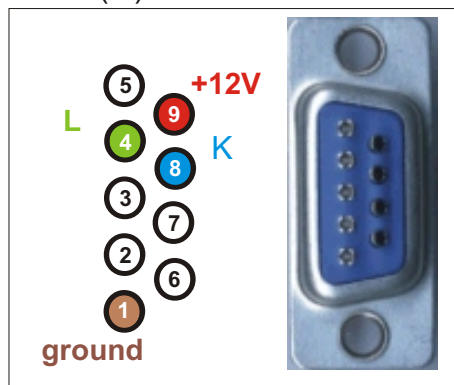
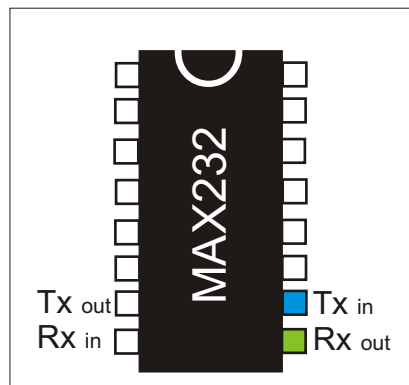
#### placement



#### elements

| P | S                    | TYPE     | NOTE   |
|---|----------------------|----------|--------|
| 1 | U <sub>1</sub>       | MAX232   |        |
| 1 | D <sub>1</sub>       | 1N4004   |        |
| 1 | ST <sub>1</sub>      | LC7805CV |        |
| 1 | C <sub>1</sub>       | 470uf    |        |
| 1 | C <sub>2</sub>       | 47uf     |        |
| 4 | C <sub>3,4,5,6</sub> | 10uf     |        |
| 2 | DB9F                 | in/out   | female |
| 1 | DB9M                 | out      | male   |

#### DB9F (in)



#### board layout

